

# General Purpose Engine

**GX390K1**

**VOLUME 2**

**HONDA**®

**Power**

**Equipment**

## Parts Catalog

**FIRST EDITION**

AUGUST, 2003

**American Honda Motor Co., Inc.**

10ZK601BP (Paper Version)  
10ZK601BM (Fiche Version)



# TABLE OF CONTENTS

## Introduction

## Grid / Page

- HOW TO USE THIS CATALOG ..... A2 4
- SERIAL NUMBERS ..... A3 6
- BULK HOSE PART NUMBER PATTERN..... A3 7
- MASTER INDEX ..... A4 8

## Part Groups

- ENGINE SECTION ..... 1-C1 1-1

## Index

- PART NUMBER INDEX ..... B1 2-1
- DESCRIPTION INDEX ..... 1-F1 3-1

# HOW TO USE THIS CATALOG

## CATALOG PAGE BREAKDOWN (Generic layout-sample data only)

MODEL		TYPE		Engine Serial Number		ORG	QTY	Part Number	H/C
A= MODEL	a= TYPE	B= MODEL	b= TYPE	From	To				
1	COVER SET, CYLINDER HEAD	A	b	15240057	-----	JPN	1	12310-PE2-020	2031797
	COVER SET, CYLINDER HEAD			-----	12234811	USA	1	12310-PE2-030	2210888

## KEY TO CATALOG PAGE BREAKDOWN

- Ref.** - Reference numbers correspond to the reference numbers on the illustrations. All illustrations are representative only and do not necessarily correspond exactly to the actual part. "NI" signifies the part is not illustrated.
- Description\*** - Describes the part for the related part number.  
Abbreviations:  

ASSY.	- Assembly	V	- Volt
COMP.	- Complete	W	- Watt
L(100L)	- Link(100Links)	A.C.	- Alternating Current
R.	- Right	D.C.	- Direct Current
L.	- Left	KPH	- Kilometers Per Hour
IN.	- Inlet	MPH	- Miles Per Hour
EX.	- Exhaust	A.M.	- Attaching Mark
FR.	- Front	T.M.	- Transcript Mark
RR.	- Rear	A	- Ampere
HEX.	- Hexagonal	WL	- With Labeling
STD.	- Standard	WOL	- Without Labeling
MM	- Millimeter	T (22T)	- Tooth
G	- Gram	C.D.I.	- Capacitive Discharge Ignition
		G.F.C.I.	- Ground Fault Circuit Interruptor
- Model\*** - Model indicator code is unique per catalog (not consistent with other catalogs).
- Each catalog will be represented with applicable model indicators and models.
- Serial Number** - Applies to Engine or Frame serial numbers depending on the section. The serial numbers of the vehicle (frame, engine, carburetor) should be checked prior to ordering parts for a specific unit. In cases where a part has been modified, the serial number of the vehicle bearing the modification is listed in the 'SERIAL NUMBER' column. The modification parts are controlled by each pertinent serial number below.  
**Engine serial number** - Engine group parts (Block numbers beginning with 'E').  
**Carburetor identification number** - Carburetor component parts.  
**Frame serial number** - Frame group parts (Block numbers beginning with 'F').  
A serial number chart and serial number locations are provided.  
**Note** - Some models may be controlled by one serial number only.
- Type\*** - Applicable model Type is defined in the serial number chart.

- ORG\*** - Manufacturing origin of the unit.
- QTY** - Quantity required per unit as specified.  
A. "AR" in place of the quantity indicates AS REQUIRED.  
B. "( )" Parentheses in the quantity required indicate "optional".
- Part Number** - Part number corresponds to the reference number and application. Several part numbers may be listed under one (1) reference number. For your convenience the current supersede chain, as of print date, has been listed. Supersede chains are subject to change without notice.
- H/C** - The Honda Code and Part Number share a 1 to 1 relationship.

## MAKE-UP OF PART NUMBERS

All parts are classified into two groups consisting of "GENERAL PARTS" and "STANDARD PARTS". All parts are numbered in accordance with the system described below:

### General Parts

Example: Driver Seat Assembly Part No.	77400-634-671ZA
Function No.	77
Component No.	400
Model Code No.	-634-
Modification Process Design	671
Color Code**	ZA

**Additional Information** - The section index located at the bottom of each microfiche grid lists section titles. The Engine and Frame sections have separate section indexes.

\*When columns become full, additional data is displayed on a second line.

\*\*The color code at the end of a part number indicates a color. Color codes such as ZA, ZB, ZC . . . , except ZZ, do not indicate the actual color. Actual colors are represented in code, between asterisks in the part description.

### Note:

#### Additional Information

Ref. Reference numbers may skip number sequence because they apply in other applications.

#### Chapter Table of Contents

Some Page Titles are numbered, such as Air Cleaner (1), Air Cleaner (3) or Muffler (2) or Muffler (4), etc., may skip numbering sequence because they apply in other volumes of the same model (s).

**This page intentionally left blank.**

# SERIAL NUMBERS

## Models and applicable serial numbers

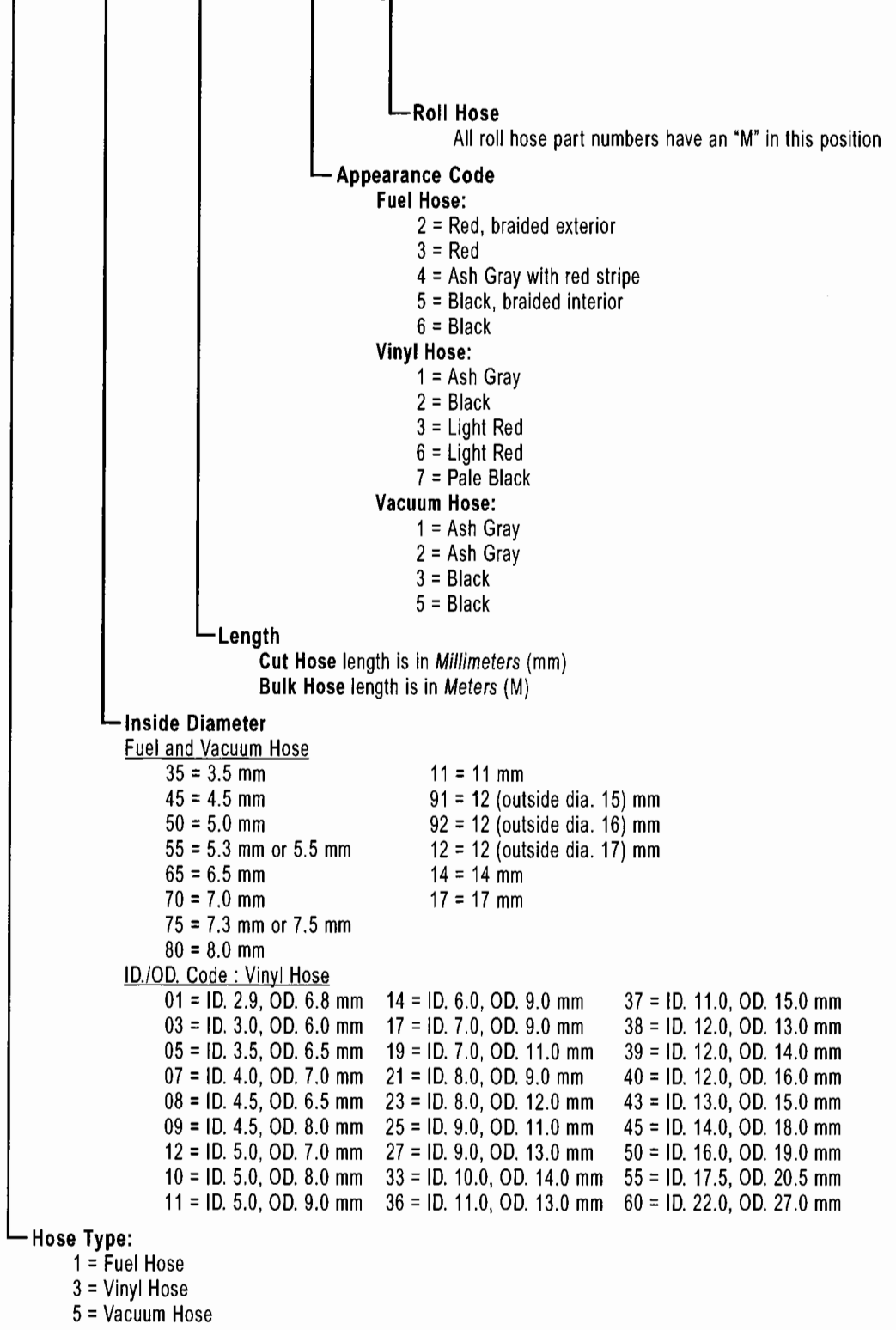
Models and applicable serial numbers given in this parts catalog can be identified as follows.

Model	Type	Applicable Engine Serial No.	Applicable Frame Serial No.	Applicable Carburetor Identification
GX390K1	QAE2	GCAA-3400001~	————	BE85B B
GX390K1	QAW	GCAA-3400001~	————	BE85B B
GX390K1	QA2	GCAA-3400001~	————	BE85B B
GX390K1	QND	GCAA-3400001~	————	BE85B B
GX390K1	QNE9	GCAA-3400001~	————	BE85A B
GX390K1	QNK	GCAA-3400001~	————	BE85B B
GX390K1	QSC2	GCAA-3400001~	————	BE85C B
GX390K1	QWA4	GCAA-3400001~	————	BE85C B
GX390K1	QWC4	GCAA-3400001~	————	BE85C B
GX390K1	QXC	GCAA-3400001~	————	BE85C B
GX390K1	QXC9	GCAA-3400001~	————	BE85C B
GX390K1	VAC2	GCAA-3400001~	————	BE85J A
GX390K1	VA2	GCAA-3400001~	————	BE85J A
GX390K1	VPX5	GCAA-3400001~	————	BE87F A
GX390K1	VXE	GCAA-3400001~	————	BE85J A
GX390K1	VXE2	GCAA-3400001~	————	BE85J A
GX390K1	VXP	GDAF-1100001~	————	BEL5A A
GX390K1	VXP7	GCAA-3400001~	————	BE85J A

# BULK HOSE PART NUMBER PATTERN

## Construction of Fuel and Vacuum Hose Part Number

Example: 9 5 0 0 1 - 7 5 0 0 1 - 4 0 M



**CAUTION: Never use vacuum / or vinyl hose in place of fuel hose or vice versa**

# MASTER INDEX

Title	Grid	Page	Title	Grid	Page
<b>ENGINE SECTION</b>					
CYLINDER HEAD .....	1-C1	1-2			
CYLINDER BARREL.....	1-C2	1-4			
CRANKCASE COVER (1).....	1-C3	1-6			
CRANKSHAFT .....	1-C3	1-7			
PISTON.....	1-C4	1-8			
CAMSHAFT.....	1-C4	1-9			
RECOIL STARTER.....	1-C5	1-11			
FAN COVER .....	1-C6	1-13			
CARBURETOR (1) .....	1-C7	1-14			
CARBURETOR (3) .....	1-C8	1-16			
CARBURETOR (4) .....	1-D1	1-18			
AIR CLEANER (1).....	1-D1	1-19			
AIR CLEANER (3).....	1-D2	1-20			
AIR CLEANER (4).....	1-D2	1-21			
MUFFLER (1) .....	1-D3	1-22			
FUEL TANK (1).....	1-D4	1-24			
FLYWHEEL (1) .....	1-D5	1-26			
IGNITION COIL (1) .....	1-D5	1-27			
IGNITION COIL (3) .....	1-D6	1-28			
STARTER MOTOR (1) .....	1-D6	1-29			
CONTROL (1) .....	1-D7	1-31			
CONTROL BOX (1).....	1-D8	1-33			
CONTROL BOX (2).....	1-E2	1-36			
LABEL (1) .....	1-E3	1-38			
LABEL (2) .....	1-E3	1-39			
TOOL (1) .....	1-E4	1-40			
OTHER PARTS (CONTROL CASE).....	1-E4	1-41			
OTHER PARTS (THROTTLE LEVER).....	1-E5	1-42			
OTHER PARTS (LABEL) .....	1-E5	1-43			
GASKET KIT.....	1-E6	1-44			

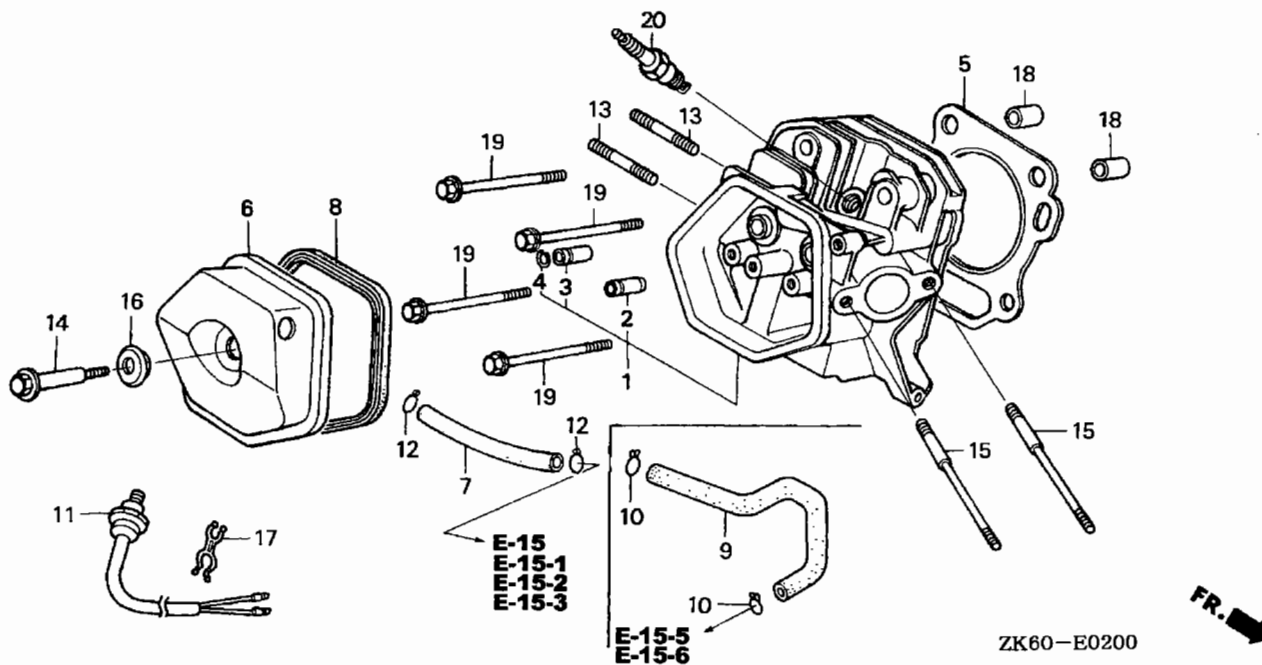


## ENGINE SECTION

### Chapter Table of Contents

Page Title	Grid	Page
CYLINDER HEAD .....	1-C1	1-2
CYLINDER BARREL .....	1-C2	1-4
CRANKCASE COVER (1) .....	1-C3	1-6
CRANKSHAFT .....	1-C3	1-7
PISTON .....	1-C4	1-8
CAMSHAFT .....	1-C4	1-9
RECOIL STARTER .....	1-C5	1-11
FAN COVER .....	1-C6	1-13
CARBURETOR (1) .....	1-C7	1-14
CARBURETOR (3) .....	1-C8	1-16
CARBURETOR (4) .....	1-D1	1-18
AIR CLEANER (1) .....	1-D1	1-19
AIR CLEANER (3) .....	1-D2	1-20
AIR CLEANER (4) .....	1-D2	1-21
MUFFLER (1) .....	1-D3	1-22
FUEL TANK (1) .....	1-D4	1-24
FLYWHEEL (1) .....	1-D5	1-26
IGNITION COIL (1) .....	1-D5	1-27
IGNITION COIL (3) .....	1-D6	1-28
STARTER MOTOR (1) .....	1-D6	1-29
CONTROL (1) .....	1-D7	1-31
CONTROL BOX (1) .....	1-D8	1-33
CONTROL BOX (2) .....	1-E2	1-36
LABEL (1) .....	1-E3	1-38
LABEL (2) .....	1-E3	1-39
TOOL (1) .....	1-E4	1-40
OTHER PARTS (CONTROL CASE) .....	1-E4	1-41
OTHER PARTS (THROTTLE LEVER) .....	1-E5	1-42
OTHER PARTS (LABEL) .....	1-E5	1-43
GASKET KIT .....	1-E6	1-44

# CYLINDER HEAD



ZK60E0200

<b>MODEL</b> B =GX390K1	<b>TYPE</b> a =VXP b =VXE2 c =VXE d =QA2 e =QAE2	f=QXC g =VA2 h =QXC9 i =QNE9 j =VPX5 k =VXP7	l=QSC2 m =QND n =QNK o =QWA4 p =QWC4 q =VAC2	r=QAW
----------------------------	---	---	---	-------

E-2

Ref	Description	Type	Engine Serial Number		QTY	Part Number	H/C
			From	To			
1	CYLINDER HEAD.....	b c d e f g h i j k l m n o p q r	-----	-----	1	12200-ZF6-W01	6589345
	CYLINDER HEAD.....	a	-----	-----	1	12200-ZF6-W11	7083454
2	GUIDE, VALVE (OS) .....	a b c d e f g h i j k l m n o p q r	-----	-----	(1)	12204-ZE2-306	4179164
3	GUIDE, EX. VALVE (OS) .....	a b c d e f g h i j k l m n o p q r	-----	-----	(1)	12205-ZE2-305	2089563
4	CLIP, VALVE GUIDE .....	a b c d e f g h i j k l m n o p q r	-----	-----	1	12216-ZE2-300	2089597
5	GASKET, CYLINDER HEAD .....	a b c d e f g h i j k l m n o p q r	-----	-----	1	12251-ZF6-W00	3713005
6	COVER, HEAD.....	a b c d e g j k m n q r	-----	-----	1	12310-ZE2-020	4300885
	COVER, HEAD.....	f h i l o p	-----	-----	1	12310-ZE3-791	4311908
7	TUBE, BREATHER.....	b d e f g h i l o p	-----	-----	1	12315-ZE3-840	2660413
	TUBE, BREATHER.....	j	-----	-----	1	15721-ZB4-000	2278380
	BULK HOSE, VACUUM (11X1000) (11X105).....	a c k m n q r	-----	-----	1	95005-11001-30M	4537312
8	GASKET, CYLINDER HEAD COVER .....	a b c d e f g h i j k l m n o p q r	-----	-----	1	12391-ZE2-020	4300893
12	CLIP, BREATHER TUBE .....	f h i l o p	-----	-----	2	17316-611-000	0340984
13	BOLT, STUD (8X22).....	j k	3717050	-----	2	90018-ZK6-P10	7577158
	BOLT 2, STUD (8X32) .....	a b c d e f g h i l m n o p q r	-----	-----	2	92900-08032-0E	2663433
		j k	-----	3717049	2	92900-08032-0E	2663433
14	BOLT, HEAD COVER.....	a b c d e f g h i j k l m n o p q r	-----	-----	1	90014-ZE2-000	2027035

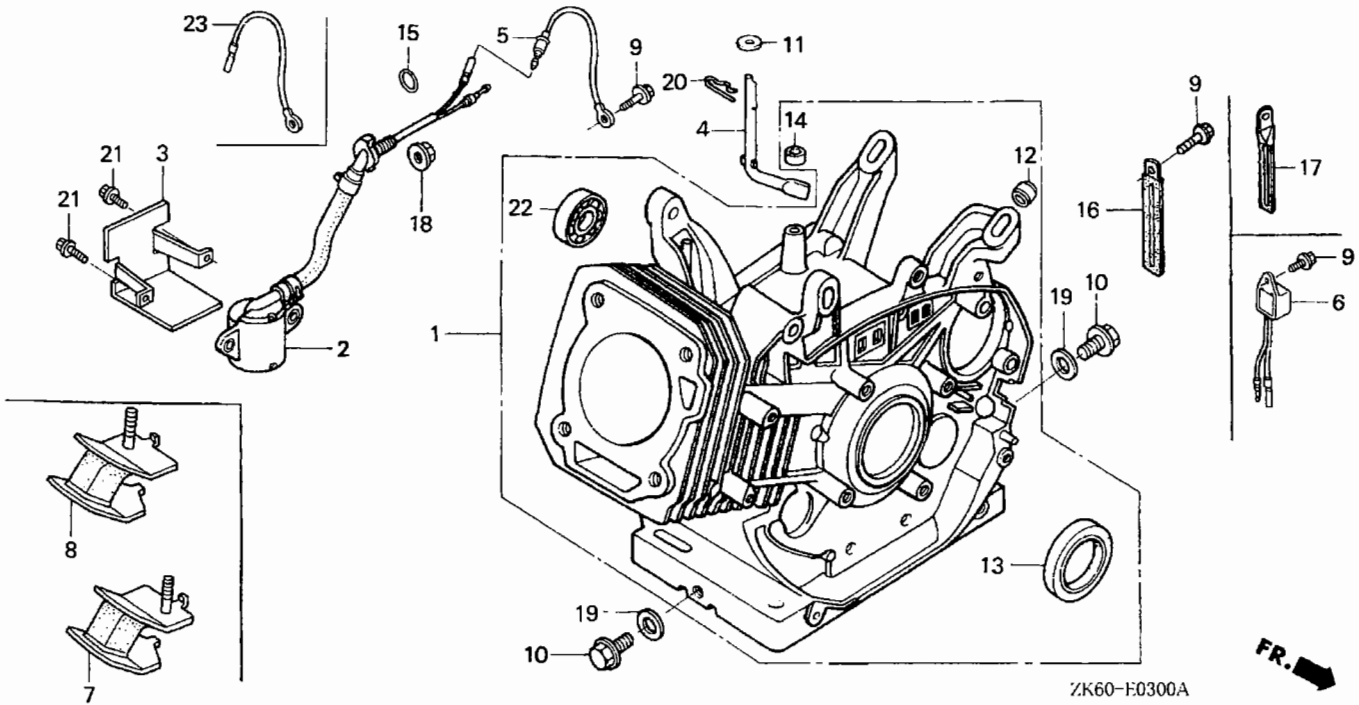
# CYLINDER HEAD

<b>MODEL</b> B =GX390K1	<b>TYPE</b> a =VXP b =VXE2 c =VXE d =QA2 e =QAE2	f =QXC g =VA2 h =QXC9 i =QNE9 j =VPX5 k =VXP7	l =QSC2 m =QND n =QNK o =QWA4 p =QWC4 q =VAC2	r =QAW
----------------------------	---	--	--	--------

E-2

Ref	Description	Type	Engine Serial Number		QTY	Part Number	H/C
			From	To			
15	BOLT, STUD (8X106).....	j	-----	-----	2	90042-ZE3-700	2279891
	BOLT, STUD (8X131.5) .....	a b c d e f g h i j k l m n o p q r	-----	-----	2	90042-ZE8-000	2106656
16	WASHER, HEAD COVER .....	a b c d e f g h i j k l m n o p q r	-----	-----	1	90441-ZE2-010	2293918
18	PIN A, DOWEL (12X20) .....	a b c d e f g h i j k l m n o p q r	-----	-----	2	94301-12200	0165324
19	BOLT, FLANGE (10X80) .....	a b c d e f g h i j k l m n o p q r	-----	-----	4	95701-10080-00	2545341
20	SPARK PLUG (BPR5ES) (NGK) .....	a b c d e f g h i j k l m n o p q r	-----	-----	(1)	98079-55846	1672443
	SPARK PLUG (W16EPR-U) (DENSO).....	a b c d e f g h i j k l m n o p q r	-----	-----	(1)	98079-55855	1672450
	SPARK PLUG (BPR6ES) (NGK) .....	a b c d e f g h i j k l m n o p q r	-----	-----	1	98079-56846	1441112
	SPARK PLUG (W20EPR-U) (DENSO).....	a b c d e f g h i j k l m n o p q r	-----	-----	1	98079-56855	1441120

# CYLINDER BARREL



ZK60-F0300A

ZK60E0300A

MODEL	TYPE	f=QXC	l=QSC2	r=QAW
B =GX390K1	a=VXP	g=VA2	m=QND	
	b=VXE2	h=QXC9	n=QNK	
	c=VXE	i=QNE9	o=QWA4	
	d=QA2	j=VPX5	p=QWC4	
	e=QAE2	k=VXP7	q=VAC2	

E-3

Ref	Description	Type	Engine Serial Number		QTY	Part Number	H/C
			From	To			
1	CYLINDER ASSY. (ALERT).....	a d f g h j k o p q r	-----	-----	1	12000-ZF6-W14	7098395
	CYLINDER ASSY. (SELF-STARTER) .....	n	-----	-----	1	12000-ZF6-W34	7443609
	CYLINDER ASSY. ....	b c e i l m	-----	-----	1	12000-ZF6-425	7230907
2	SWITCH ASSY., OIL LEVEL .....	a b c d e f g h i j k l m o p q r	-----	-----	1	15510-ZE2-043	5792361
4	SHAFT, GOVERNOR ARM .....	a b c d e f g h i j k l m n o p q r	-----	-----	1	16541-ZE3-010	4717393
6	ALERT UNIT, OIL.....	d f g h j k o p q r	-----	-----	1	34150-ZH7-003	5858444
9	BOLT, FLANGE (6X12) (CT200) .....	d f g h j k o p q r	-----	-----	1	90013-883-000	0636845
10	BOLT, DRAIN PLUG .....	a b c d e f g h i j k l m n o p q r	-----	-----	2	90131-896-650	1986231
11	WASHER (8.2X17X0.8) .....	a b c d e f g h i j k l m n o p q r	-----	-----	1	90446-KE1-000	2027134
12	PLUG, SEALING .....	n	-----	-----	1	90801-ZE2-003	2794048
13	OIL SEAL (35X52X8) .....	a b c d e f g h i j k l m n o p q r	-----	-----	1	91201-ZE3-004	2108595
14	OIL SEAL (8X14X5) .....	a b c d e f g h i j k l m n o p q r	-----	-----	1	91201-ZE9-003	2461713
	OIL SEAL (8X14X5) .....	a b c d e f g h i j k l m n o p q r	-----	-----	1	91203-952-771	0744326
15	O-RING (13.5X1.5) (ARAI).....	a b c d e f g h i j k l m o p q r	-----	-----	1	91353-671-003	0949883
18	NUT, FLANGE (10MM).....	a b c d e f g h i j k l m o p q r	-----	-----	1	94050-10000	0483867
19	WASHER, DRAIN PLUG (12MM).....	a b c d e f g h i j k l m n o p q r	-----	-----	2	94109-12000	0171868
20	PIN, LOCK (10MM).....	a b c d e f g h i j k l m n o p q r	-----	-----	1	94251-10000	0159269
21	BOLT, FLANGE (6X12) .....	a b c d e f g h i j k l m o p q r	-----	-----	2	95701-06012-00	2105799

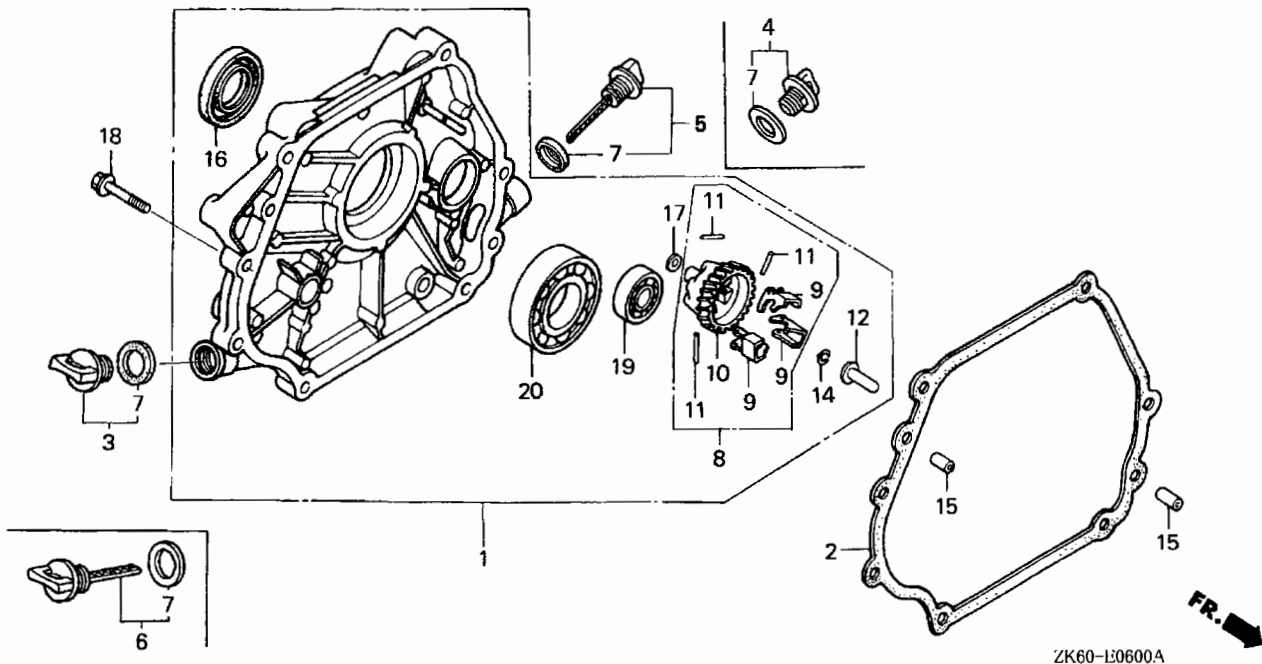
# CYLINDER BARREL

<b>MODEL</b>	<b>TYPE</b>	f=QXC	l=QSC2	r=QAW
B =GX390K1	a =VXP	g =VA2	m =QND	
	b =VXE2	h =QXC9	n =QNK	
	c =VXE	i =QNE9	o =QWA4	
	d =QA2	j =VPX5	p =QWC4	
	e =QAE2	k =VXP7	q =VAC2	

E-3

Ref	Description	Type	Engine Serial Number		QTY	Part Number	H/C
			From	To			
22	BEARING, RADIAL BALL (6202) .....	a b c d e f g h i j k l m n o p q r	-----	-----	1	96100-62020-00	0708941

# CRANKCASE COVER (1)



ZK60-130600A

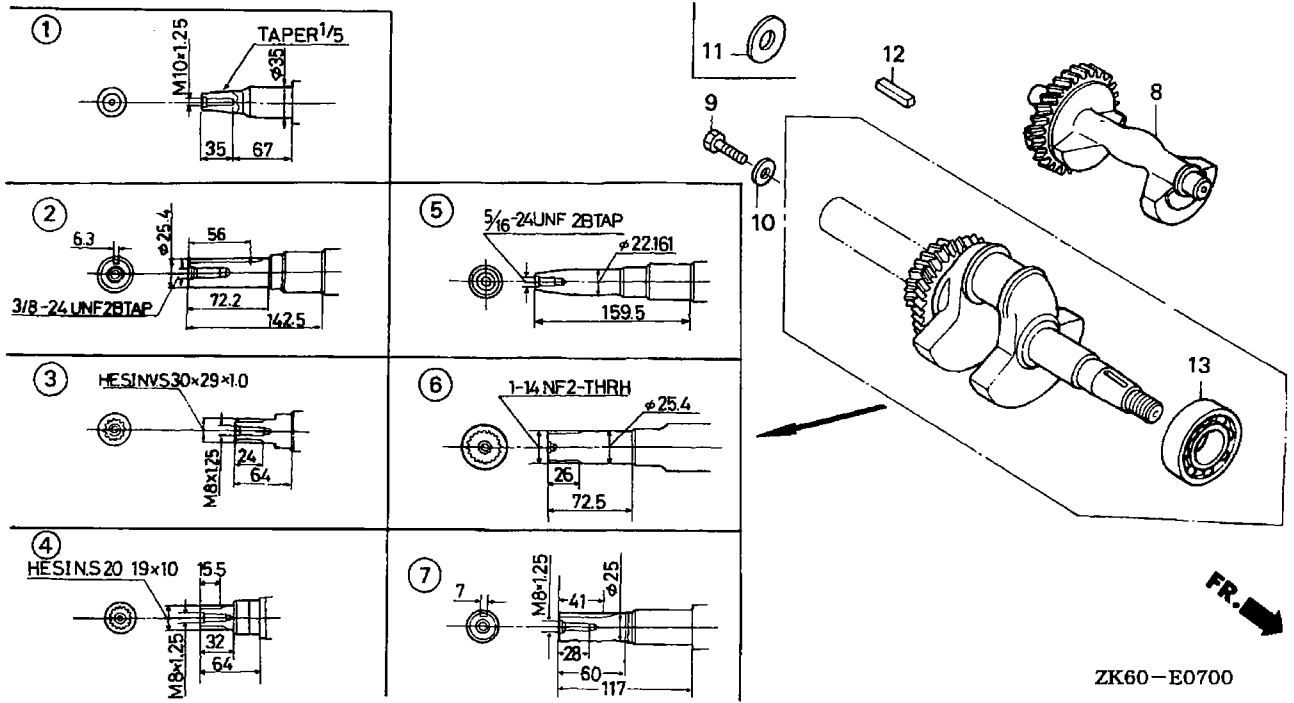
ZK60E0600A

<b>MODEL</b>	<b>TYPE</b>	f=QXC	l=QSC2	r=QAW
B =GX390K1	a=VXP	g=VA2	m=QND	
	b=VXE2	h=QXC9	n=QNK	
	c=VXE	i=QNE9	o=QWA4	
	d=QA2	j=VPX5	p=QWC4	
	e=QAE2	k=VXP7	q=VAC2	

E-6

Ref	Description	Type	Engine Serial Number		QTY	Part Number	H/C
			From	To			
1	COVER ASSY., CRANKCASE.....	a b c d e f g h i j k l m n o p q r	-----	-----	1	11300-ZE3-604	7154677
2	GASKET, CASE COVER.....	a b c d e f g h i j k l m n o p q r	-----	-----	1	11381-ZE3-801	6436869
3	CAP ASSY., OIL FILLER.....	a b c d e f g h i j k l m n o p q r	-----	-----	1	15600-ZG4-003	4497921
5	CAP ASSY., OIL FILLER.....	a b c d e f g h i j k l m n o p q r	-----	-----	1	15600-735-003	4523106
7	GASKET, OIL FILLER CAP.....	a b c d e f g h i j k l m n o p q r	-----	-----	2	15625-ZE1-003	4497947
8	GOVERNOR ASSY.....	a b c d e f g h i j k l m n o p q r	-----	-----	1	16510-ZE3-000	3713187
9	WEIGHT, GOVERNOR.....	a b c d e f g h i j k l m n o p q r	-----	-----	3	16511-ZE8-000	2090090
10	HOLDER, GOVERNOR WEIGHT.....	a b c d e f g h i j k l m n o p q r	-----	-----	1	16512-ZE3-000	3713195
11	PIN, GOVERNOR WEIGHT.....	a b c d e f g h i j k l m n o p q r	-----	-----	3	16513-ZE2-000	2025971
12	SLIDER, GOVERNOR.....	a b c d e f g h i j k l m n o p q r	-----	-----	1	16531-Z0A-000	6605117
14	CLIP, GOVERNOR HOLDER.....	a b c d e f g h i j k l m n o p q r	-----	-----	1	90602-ZE1-000	2456697
15	PIN, DOWEL (8X12).....	a b c d e f g h i j k l m n o p q r	-----	-----	2	90701-HC4-000	2978443
16	OIL SEAL (35X52X8).....	a b c d e f g h i j k l m n o p q r	-----	-----	1	91201-ZE3-004	2108595
17	WASHER, PLAIN (6MM).....	a b c d e f g h i j k l m n o p q r	-----	-----	1	94101-06800	0345900
18	BOLT, FLANGE (8X40).....	a b c d e f g h i j k l m n o p q r	-----	-----	7	95701-08040-00	2298404
19	BEARING, RADIAL BALL (6202).....	a b c d e f g h i j k l m n o p q r	-----	-----	1	96100-62020-00	0708941
20	BEARING, RADIAL BALL (6207).....	a b c d e f g h i j k l m n o p q r	-----	-----	1	96100-62070-00	0997320

# CRANKSHAFT



ZK60-E0700

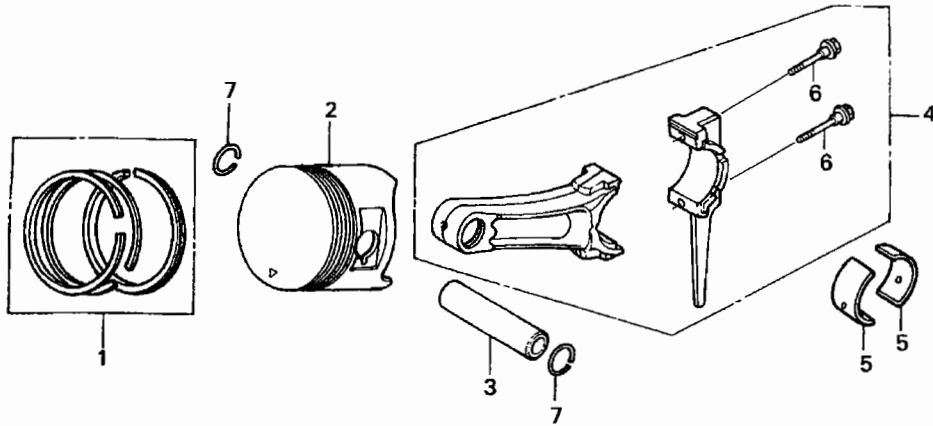
ZK60E0700

<b>MODEL</b>	<b>TYPE</b>	f=QXC	l=QSC2	r=QAW
B =GX390K1	a =VXP	g =VA2	m =QND	
	b =VXE2	h =QXC9	n =QNK	
	c =VXE	i =QNE9	o =QWA4	
	d =QA2	j =VPX5	p =QWC4	
	e =QAE2	k =VXP7	q =VAC2	

E-7

Ref	Description	Type	Engine Serial Number		QTY	Part Number	H/C
			From	To			
2	CRANKSHAFT (Q-TYPE).....	d e f h i l m n o p r	-----	-----	1	13310-ZF6-W10	3713054
5	CRANKSHAFT (V-TYPE).....	a b c g j q	-----	-----	1	13310-ZF6-W40	3713062
	CRANKSHAFT .....	k	-----	-----	1	13310-ZK6-670	7443724
8	WEIGHT, BALANCER .....	a b c d e f g h i j k l m n o p q r	-----	-----	1	13351-ZE3-010	3713070
12	KEY (6.3X6.3X43) .....	d e f h i l m n o p r	-----	-----	1	90745-ZE2-600	2027167
13	BEARING, RADIAL BALL (6207S).....	a b c d e f g h i j k l m n o p q r	-----	-----	1	91001-ZF6-003	3505187

# PISTON



ZK60-E0800

ZK60E0800

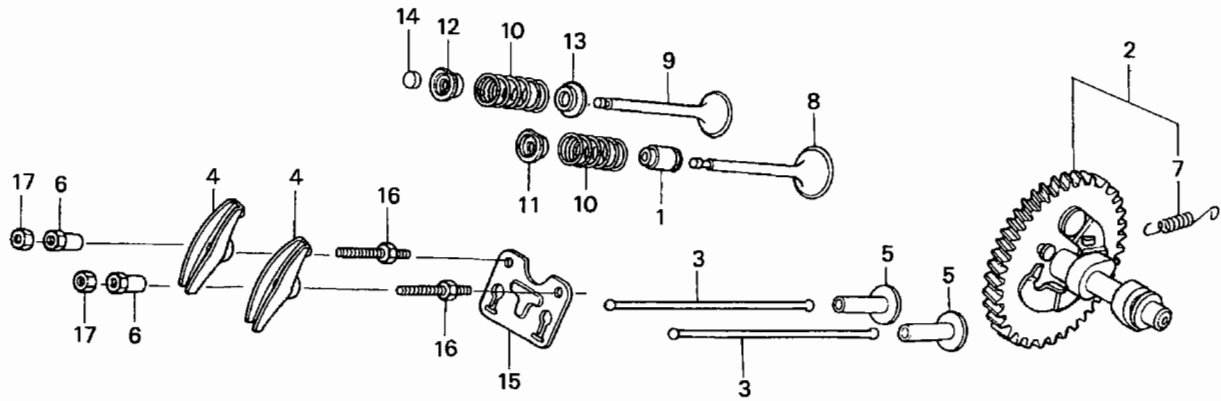
<b>MODEL</b>	<b>TYPE</b>	f=QXC	l=QSC2	r=QAW
B =GX390K1	a =VXP	g =VA2	m =QND	
	b =VXE2	h =QXC9	n =QNK	
	c =VXE	i =QNE9	o =QWA4	
	d =QA2	j =VPX5	p =QWC4	
	e =QAE2	k =VXP7	q =VAC2	

E-8

Ref	Description	Type	Engine Serial Number		QTY	Part Number	H/C
			From	To			
1	RING SET, PISTON (STD).....	a b c d e f g h i j k l m n o p q r	-----	-----	1	13010-ZF6-003	3134343
	RING SET, PISTON (OS 0.25).....	a b c d e f g h i j k l m n o p q r	-----	-----	(1)	13011-ZF6-003	3134368
	RING SET, PISTON (OS 0.50).....	a b c d e f g h i j k l m n o p q r	-----	-----	(1)	13012-ZF6-003	3134384
	RING SET, PISTON (OS 0.50).....	a b c d e f g h i j k l m n o p q r	-----	-----	(1)	13012-ZF6-005	3134392
	RING SET, PISTON (0.75) (NIPPON) .....	a b c d e f g h i j k l m n o p q r	-----	-----	(1)	13013-ZF6-003	3750759
2	PISTON (STD) .....	a b c d e f g h i j k l m n o p q r	-----	-----	1	13101-ZF6-W00	3713013
	PISTON (OS 0.25) .....	a b c d e f g h i j k l m n o p q r	-----	-----	(1)	13102-ZF6-W00	3713021
	PISTON (OS 0.50) .....	a b c d e f g h i j k l m n o p q r	-----	-----	(1)	13103-ZF6-W00	3713039
	PISTON (0.75) .....	a b c d e f g h i j k l m n o p q r	-----	-----	(1)	13104-ZF6-W00	3755204
3	PIN, PISTON .....	a b c d e f g h i j k l m n o p q r	-----	-----	1	13111-ZF6-W00	3713047
4	ROD ASSY., CONNECTING (STD) .....	a	-----	-----	1	13200-ZE3-010	2871200
	ROD ASSY., CONNECTING (STD) .....	a b c d e f g h i j k l m n o p q r	-----	-----	1	13200-ZE3-020	6858294
	ROD ASSY., CONNECTING (US 0.25) .....	a b c d e f g h i j k l m n o p q r	-----	-----	(1)	13200-ZE3-315	2871218
6	BOLT, CONNECTING ROD .....	a b c d e f g h i j k l m n o p q r	-----	-----	2	90001-ZE8-000	2160489
7	CLIP, PISTON PIN (20MM) .....	a b c d e f g h i j k l m n o p q r	-----	-----	2	90601-ZE3-000	2108579



# CAMSHAFT



ZK60-E0900



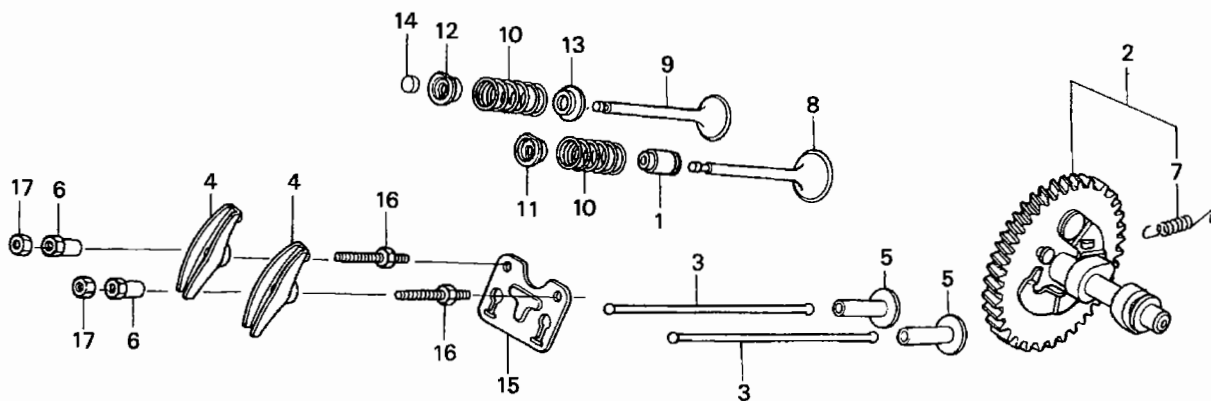
ZK60E0900

<b>MODEL</b>	<b>TYPE</b>	f=QXC	l=QSC2	r=QAW
B =GX390K1	a =VXP	g =VA2	m =QND	
	b =VXE2	h =QXC9	n =QNK	
	c =VXE	i =QNE9	o =QWA4	
	d =QA2	j =VPX5	p =QWC4	
	e =QAE2	k =VXP7	q =VAC2	

E-9

Ref	Description	Type	Engine Serial Number		QTY	Part Number	H/C
			From	To			
1	SEAL, VALVE STEM .....	b c d e f g h i j k l m n o p q r	-----	-----	1	12209-ZE8-003	2089571
2	CAMSHAFT ASSY. ....	a b c d e f g h i j l m n o p q r	-----	-----	1	14100-ZF6-W01	5680988
	CAMSHAFT ASSY. ....	k	-----	-----	1	14100-ZK6-870	7443740
3	ROD, PUSH .....	a b c d e f g h i j k l m n o p q r	-----	-----	2	14410-ZE3-013	3371804
4	ARM, VALVE ROCKER .....	a b c d e f g h i j k l m n o p q r	-----	-----	2	14431-ZE2-010	6206254
5	LIFTER, VALVE .....	a b c d e f g h i j k l m n o p q r	-----	-----	2	14441-ZE2-000	2025609
6	PIVOT, ROCKER ARM.....	a b c d e f g h i j k l m n o p q r	-----	-----	2	14451-ZE1-013	4300901
7	SPRING, WEIGHT RETURN .....	a b c d e f g h i j k l m n o p q r	-----	-----	1	14568-ZE1-000	1426907
8	VALVE, IN. ....	b c d e f g h i j k l m n o p q r	-----	-----	1	14711-ZE3-000	2107779
	VALVE, IN. ....	a	-----	-----	1	14711-ZE9-900	2383123
9	VALVE, EX. ....	b c d e f g h i j k l m n o p q r	-----	-----	1	14721-ZE3-000	2107787
	VALVE, EX. (STELITE) .....	a	-----	-----	1	14721-ZE9-900	2383131
10	SPRING, VALVE .....	a b c d e f g h i j k l m n o p q r	-----	-----	2	14751-ZE2-003	2025633
11	RETAINER, IN. VALVE SPRING .....	a b c d e f g h i j k l m n o p q r	-----	-----	1	14771-ZE2-000	2025641
12	RETAINER, IN. VALVE SPRING .....	a	-----	-----	1	14771-ZE2-000	2025641
	RETAINER, EX. VALVE SPRING .....	b c d e f g h i j k l m n o p q r	-----	-----	1	14773-ZE2-000	2025658
13	SEAT, VALVE SPRING .....	a b c d e f g h i j k l m n o p q r	-----	-----	1	14775-ZE2-010	2157485
14	ROTATOR, VALVE.....	b c d e f g h i j k l m n o p q r	-----	-----	1	14781-ZE2-000	2025666

# CAMSHAFT



ZK60-E0900



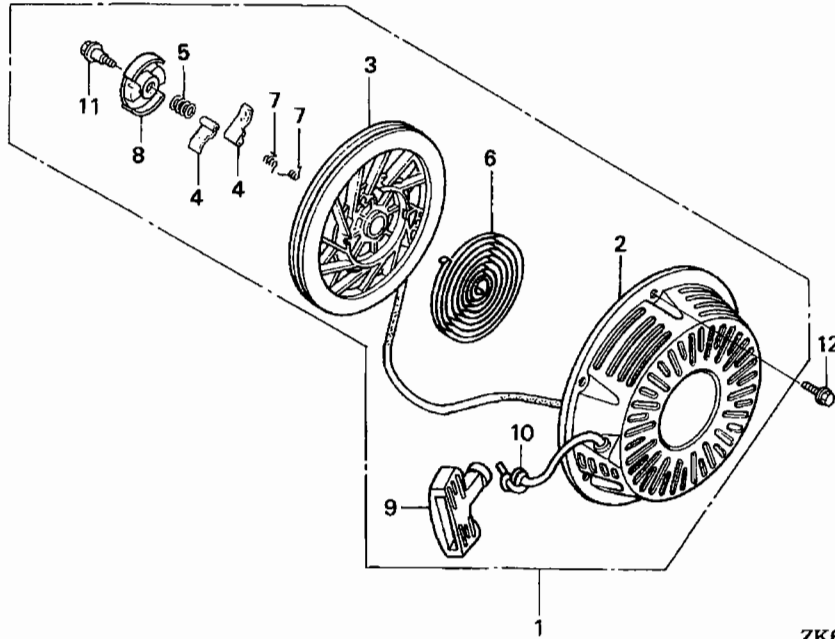
ZK60E0900

<b>MODEL</b>	<b>TYPE</b>	f=QXC	l=QSC2	r=QAW
B =GX390K1	a =VXP	g =VA2	m =QND	
	b =VXE2	h =QXC9	n =QNK	
	c =VXE	i =QNE9	o =QWA4	
	d =QA2	j =VPX5	p =QWC4	
	e =QAE2	k =VXP7	q =VAC2	

E-9

Ref	Description	Type	Engine Serial Number		QTY	Part Number	H/C
			From	To			
15	PLATE, PUSH ROD GUIDE.....	a b c d e f g h i j k l m n o p q r	-----	-----	1	14791-ZE2-010	3707494
16	BOLT, PIVOT (8MM) .....	a b c d e f g h i j k l m n o p q r	-----	-----	2	90012-ZE0-010	1756964
17	NUT, PIVOT ADJ.....	a b c d e f g h i j k l m n o p q r	-----	-----	2	90206-ZE1-000	1431287

# RECOIL STARTER



ZK60-E1100



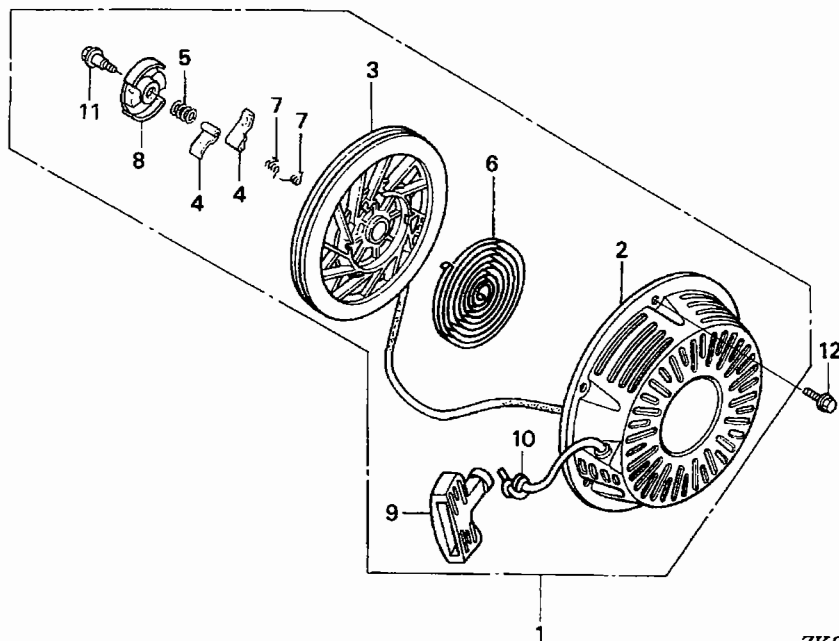
ZK60E1100

E-11

<b>MODEL</b>	<b>TYPE</b>	f=QXC	l=QSC2	r=QAW
B =GX390K1	a =VXP	g =VA2	m =QND	
	b =VXE2	h =QXC9	n =QNK	
	c =VXE	i =QNE9	o =QWA4	
	d =QA2	j =VPX5	p =QWC4	
	e =QAE2	k =VXP7	q =VAC2	

Ref	Description	Type	Engine Serial Number		QTY	Part Number	H/C
			From	To			
1	STARTER ASSY., RECOIL *R8* (BRIGHT RED).....	a b c d e f g h i j k m n q r	-----	-----	1	28400-ZE3-W01ZA	3713302
	STARTER ASSY., RECOIL *NH1* (BLACK)	d e h i m o p	-----	-----	1	28400-ZE3-W01ZB	4209920
	STARTER ASSY., RECOIL .....	d	-----	-----	1	28400-ZE3-W01ZC	4474326
	STARTER ASSY., RECOIL .....	c	-----	-----	1	28400-ZE3-W01ZD	4474334
	STARTER ASSY., RECOIL *NH105* (MAT BLACK).....	b c	-----	-----	1	28400-ZE3-W01ZH	4474359
	STARTER ASSY., RECOIL *R280* (POWER RED).....	l o	-----	-----	1	28400-ZE3-W01ZP	7329626
2	CASE, RECOIL STARTER *R8* (BRIGHT RED).....	a b c d e f g h i j k m n q r	-----	-----	1	28410-ZE3-W01ZA	3713310
	CASE, RECOIL STARTER *NH1* (BLACK)	d e h i m o p	-----	-----	1	28410-ZE3-W01ZB	4209953
	CASE, RECOIL STARTER *T34* (SIMPSON BLUE) .....	d	-----	-----	1	28410-ZE3-W01ZD	4717443
	CASE, RECOIL STARTER *T39* (GEKO BLUE).....	c	-----	-----	1	28410-ZE3-W01ZE	7444698
	CASE, RECOIL STARTER *NH105* (MAT BLACK).....	b c	-----	-----	1	28410-ZE3-W01ZH	4717450
	CASE, RECOIL STARTER *R280* (POWER RED).....	l o	-----	-----	1	28410-ZE3-W01ZP	7329634

# RECOIL STARTER



ZK60-E1100

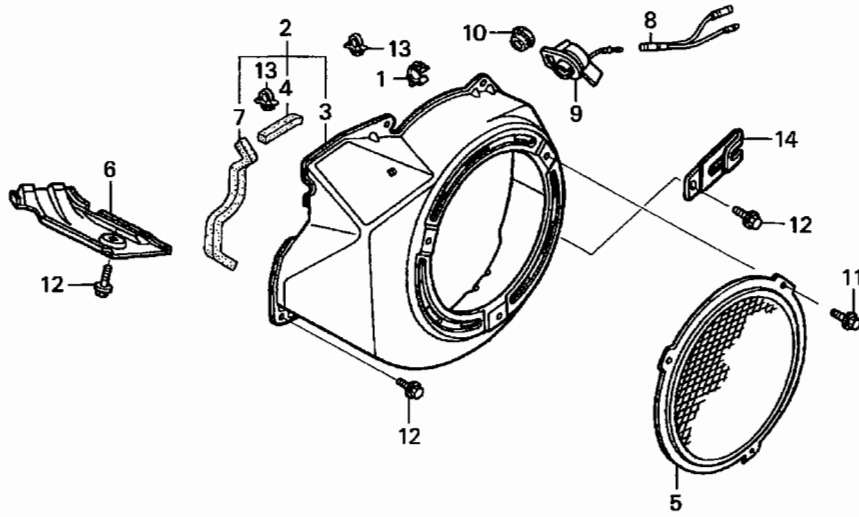
ZK60E1100

<b>MODEL</b>	<b>TYPE</b>	f=QXC	l=QSC2	r=QAW
B=GX390K1	a=VXP	g=VA2	m=QND	
	b=VXE2	h=QXC9	n=QNK	
	c=VXE	i=QNE9	o=QWA4	
	d=QA2	j=VPX5	p=QWC4	
	e=QAE2	k=VXP7	q=VAC2	

E-11

Ref	Description	Type	Engine Serial Number		QTY	Part Number	H/C
			From	To			
3	PULLEY, RECOIL STARTER.....	a b c d e f g h i j k l m n o p q r	-----	-----	1	28421-ZE3-W01	3713328
4	RATCHET, STARTER .....	a b c d e f g h i j k l m n o p q r	-----	-----	2	28422-ZE2-W01	3678877
5	SPRING, FRICTION.....	a b c d e f g h i j k l m n o p q r	-----	-----	1	28441-ZE2-W01	3678885
6	SPRING, STARTER RETURN .....	a b c d e f g h i j k l m n o p q r	-----	-----	1	28442-ZE2-W01	3678893
7	SPRING, RATCHET.....	a b c d e f g h i j k l m n o p q r	-----	-----	2	28443-ZE2-W01	3678901
8	RETAINER, SPRING .....	a b c d e f g h i j k l m n o p q r	-----	-----	1	28444-ZE2-W01	3678919
9	GRIP, STARTER .....	a b c d e f g h i j k l m n o p q r	-----	-----	1	28461-ZE2-W02	6133649
10	ROPE, RECOIL STARTER (#6X64") (N/A: USE P/N 08560-ZG921-11) .....	a b c d e f g h i j k l m n o p q r	-----	-----	1	28462-ZE3-W01	3713344
11	SCREW, CENTER .....	a b c d e f g h i j k l m n o p q r	-----	-----	1	90004-ZE2-W01	3679024
12	BOLT, FLANGE (6X10) .....	a b c d e f g h i j k l m n o p q r	-----	-----	3	90008-ZE2-003	6437289

# FAN COVER



ZK60-E1200

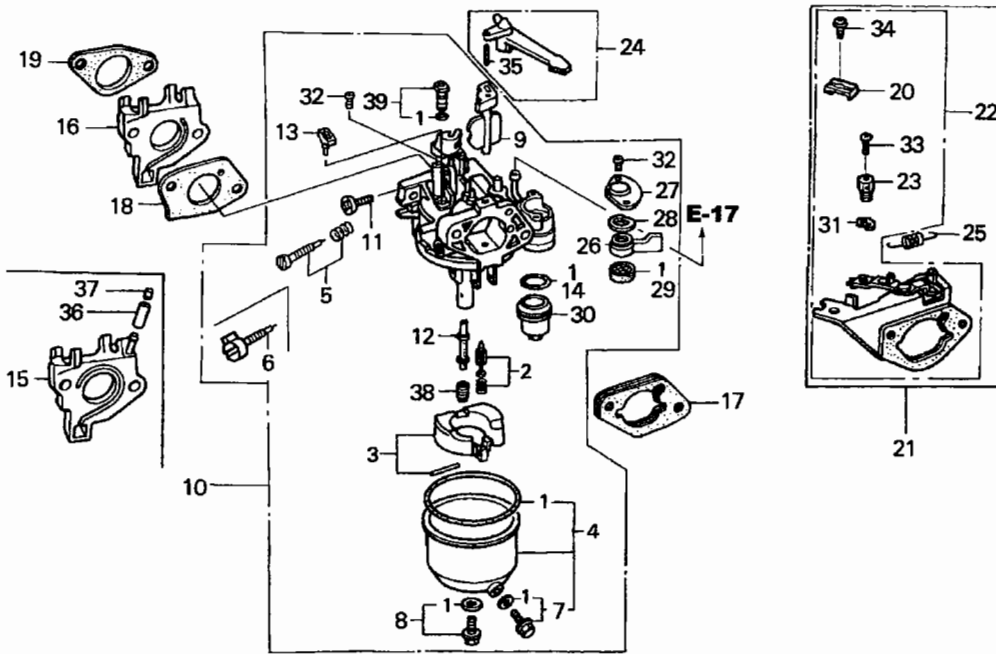
ZK60E1200

<b>MODEL</b>	<b>TYPE</b>	f=QXC	l=QSC2	r=QAW
B =GX390K1	a =VXP	g =VA2	m =QND	
	b =VXE2	h =QXC9	n =QNK	
	c =VXE	i =QNE9	o =QWA4	
	d =QA2	j =VPX5	p =QWC4	
	e =QAE2	k =VXP7	q =VAC2	

E-12

Ref	Description	Type	Engine Serial Number		QTY	Part Number	H/C
			From	To			
1	CLIP, TUBE .....	b c d e f g h i j k l m n o p q r	-----	-----	1	16731-ZE2-003	2026094
3	COVER, FAN *R8* (BRIGHT RED) .....	j k	-----	-----	1	19610-ZE3-W01ZA	6438113
	COVER, FAN *R8* (BRIGHT RED) .....	a b c d e f g h i m n q r	-----	-----	1	19610-ZE3-010ZA	4230637
	COVER, FAN *NH1* (BLACK) .....	d h o p	-----	-----	1	19610-ZE3-010ZB	4646055
	COVER, FAN *T34* (SIMPSON BLUE) .....	d	-----	-----	1	19610-ZE3-010ZC	4717427
	COVER, FAN *NH105* (MAT BLACK) .....	b	-----	-----	1	19610-ZE3-010ZG	4717435
	COVER, FAN *NH246* (LOOSY GRAY) .....	i	-----	-----	1	19610-ZE3-010ZH	4475398
	COVER, FAN *R280* (POWER RED) .....	l	-----	-----	1	19610-ZE3-010ZL	7329592
6	SHROUD .....	a b c d e f g h i j k l m n o p q r	-----	-----	1	19631-ZE3-W00	3713294
9	SWITCH ASSY., ENGINE STOP .....	n	-----	-----	1	36100-ZE1-015	2787869
	SWITCH ASSY., ENGINE STOP .....	j k	-----	-----	1	36100-ZF6-P81	7111099
	SWITCH ASSY., ENGINE STOP .....	o p	-----	-----	1	36100-ZH7-W41	5266176
	SWITCH ASSY., ENGINE STOP .....	a d f g h q r	-----	-----	1	36100-ZH7-003	5266184
10	PLUG .....	a	-----	-----	1	50317-254-000	0274993
	GROMMET, DRAIN HOLE .....	b c e i l m	-----	-----	1	81329-567-020	0677773
12	BOLT, FLANGE (6X12) (CT200) .....	a b c d e f g h i j k l m n o p q r	-----	-----	6	90013-883-000	0636845

# CARBURETOR (1)



ZK60-E1400



ZK60E1400

<b>MODEL</b>	<b>TYPE</b>	f=QXC	l=QSC2	r=QAW
B =GX390K1	a =VXP	g =VA2	m =QND	
	b =VXE2	h =QXC9	n =QNK	
	c =VXE	i =QNE9	o =QWA4	
	d =QA2	j =VPX5	p =QWC4	
	e =QAE2	k =VXP7	q =VAC2	

E-14

Ref	Description	Type	Engine Serial Number		QTY	Part Number	H/C
			From	To			
1	GASKET SET .....	b c d e f g h i k l m n o p q r	-----	-----	1	16010-ZE2-812	3511383
2	VALVE SET, FLOAT .....	b c d e f g h i k l m n o p q r	-----	-----	1	16011-ZA0-931	2059236
3	FLOAT SET .....	b c d e f g h i k l m n o p q r	-----	-----	1	16013-ZA0-931	2059244
4	CHAMBER SET, FLOAT .....	b c d e f g h i k l m n o p q r	-----	-----	1	16015-ZE8-005	2089993
6	SCREW SET .....	b c d e f g h i k l m n o p q r	-----	-----	1	16016-ZH7-W01	4219879
7	SCREW SET, DRAIN .....	b c d e f g h i k l m n o p q r	-----	-----	1	16024-ZE1-811	1672187
8	SCREW SET B .....	b c d e f g h i k l m n o p q r	-----	-----	1	16028-ZE0-005	1441518
9	CHOKE SET .....	b c d e f g h i k l m n o p q r	-----	-----	1	16044-ZE3-W20	3713112
10	CARBURETOR ASSY. (BE85B B) .....	d e m n r	-----	-----	1	16100-ZF6-V01	5244827
	CARBURETOR ASSY. (BE85C B) .....	f h l o p	-----	-----	1	16100-ZF6-V21	5250881
	CARBURETOR ASSY. (BE85J A) .....	b c g k q	-----	-----	1	16100-ZF6-V51	6436893
	CARBURETOR ASSY. (BE85A B) .....	i	-----	-----	1	16100-ZF6-W51	5250899
11	SCREW, THROTTLE STOP .....	b c d e f g h i k l m n o p q r	-----	-----	1	16124-ZE0-005	1441559
12	NOZZLE, MAIN .....	b c d e g k m n q r	-----	-----	1	16166-ZF6-V00	4723219
	NOZZLE, MAIN .....	f h l o p	-----	-----	1	16166-ZF6-W10	3713146
	NOZZLE, MAIN .....	i	-----	-----	1	16166-ZF6-W50	4310843
13	COLLAR, SET .....	b c d e f g h i k l m n o p q r	-----	-----	1	16172-ZE3-W10	3738358
14	GASKET, FUEL STRAINER CUP .....	b c d e f g h i k l m n o p q r	-----	-----	1	16173-001-004	0005652

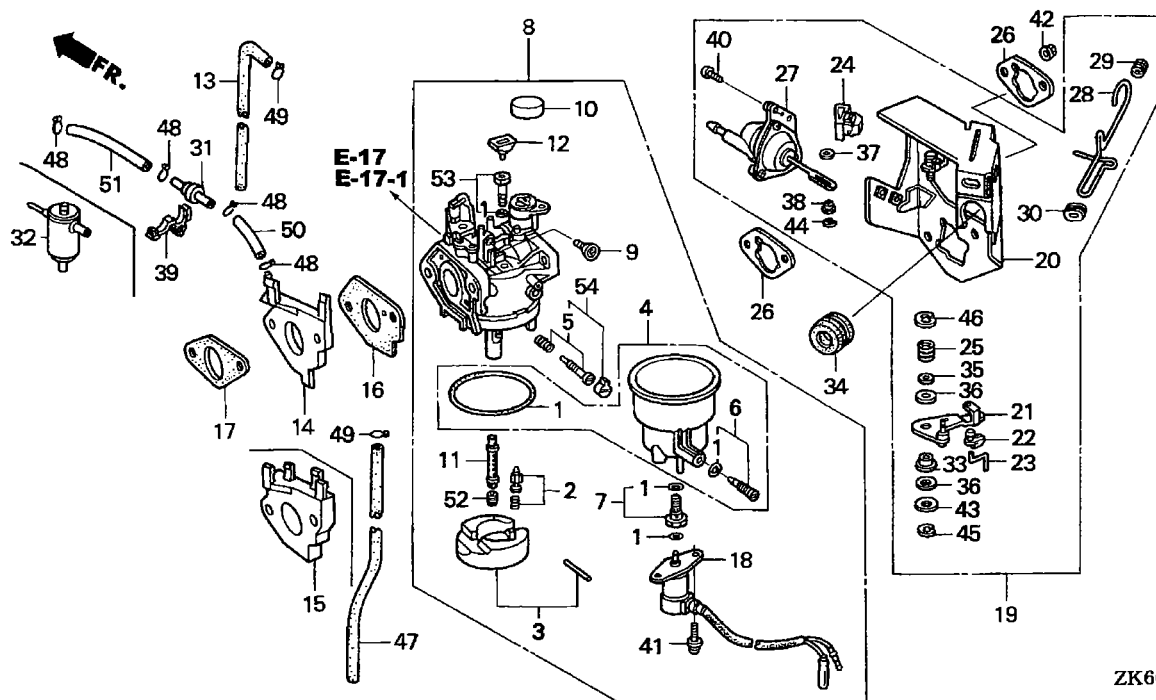
# CARBURETOR (1)

<b>MODEL</b> B =GX390K1	<b>TYPE</b> a =VXP b =VXE2 c =VXE d =QA2 e =QAE2	f =QXC g =VA2 h =QXC9 i =QNE9 j =VPX5 k =VXP7	l =QSC2 m =QND n =QNK o =QWA4 p =QWC4 q =VAC2	r =QAW
----------------------------	---	--	--	--------

E-14

Ref	Description	Type	Engine Serial Number		QTY	Part Number	H/C
			From	To			
16	INSULATOR, CARBURETOR .....	b c d e f g h i k l m n o p q r	-----	-----	1	16211-ZF6-000	3501277
17	SPACER, CARBURETOR .....	b c d e f g h i k l m o p q r	-----	-----	1	16220-ZA0-702	2686533
18	GASKET, CARBURETOR .....	b c d e f g h i k l m n o p q r	-----	-----	1	16221-ZF6-800	3713161
19	GASKET, INSULATOR.....	b c d e f g h i k l m n o p q r	-----	-----	1	16223-ZE3-W00	3713179
20	HOLDER, CABLE.....	n	-----	-----	1	16576-891-000	0800466
21	STAY ASSY., CHOKE CONTROL (REMOTE) .....	n	-----	-----	1	16590-ZE2-812	2831667
23	HOLDER, WIRE .....	n	-----	-----	1	16594-883-010	2686558
24	LEVER, CHOKE (STD).....	b c d e f g h i k l m o p q r	-----	-----	1	16610-ZE1-000	1440114
25	SPRING, RETURN.....	n	-----	-----	1	16615-ZE2-810	2160000
26	LEVER, VALVE .....	b c d e f g h i k l m n o p q r	-----	-----	1	16953-ZE1-812	5140876
27	PLATE, LEVER SETTING .....	b c d e f g h i k l m n o p q r	-----	-----	1	16954-ZE1-812	5148135
28	SPRING, VALVE LEVER .....	b c d e f g h i k l m n o p q r	-----	-----	1	16956-ZE1-811	1807809
29	GASKET, VALVE .....	b c d e f g h i k l m n o p q r	-----	-----	1	16957-ZE1-812	3440708
30	CUP, FUEL STRAINER .....	b c d e f g h i k l m n o p q r	-----	-----	1	16967-ZE0-811	1441583
31	CIRCLIP (5MM) .....	n	-----	-----	1	90605-230-000	0138768
32	SCREW, PAN (3X6).....	b c d e f g h i k l m n o p q r	-----	-----	2	93500-03006-0H	0561654
33	SCREW, PAN (4X6).....	n	-----	-----	1	93500-04006-0H	0285627
34	SCREW-WASHER (5X16) .....	n	-----	-----	1	93893-05016-00	0821512
35	PIN, SPRING (2X12) .....	b c d e f g h i k l m o p q r	-----	-----	1	94305-20122	1441591
38	JET, MAIN (#88).....	d e m n r	-----	-----	(1)	99101-ZH8-0880	5945555
	JET, MAIN (#90).....	b c d e g k m n q r	-----	-----	(1)	99101-ZH8-0900	5947155
	JET, MAIN (#92).....	d e m n r	-----	-----	1	99101-ZH8-0920	5947163
		b c g k q	-----	-----	(1)	99101-ZH8-0920	5947163
	JET, MAIN (#95).....	f h i l o p	-----	-----	(1)	99101-ZH8-0950	6062665
		b c g k q	-----	-----	1	99101-ZH8-0950	6062665
	JET, MAIN (#98).....	f h i l o p	-----	-----	(1)	99101-ZH8-0980	6059836
	JET, MAIN (#100).....	f h i l o p	-----	-----	1	99101-ZH8-1000	6059844
39	JET SET, PILOT (#45) .....	b c d e f g h k l m n o p q r	-----	-----	1	99204-ZA0-0450	2060465
	JET SET, PILOT (#45) .....	i	-----	-----	1	99204-ZE0-0450	3738689

# CARBURETOR (3)



ZK60-E1402A

ZK60E1402A

MODEL	TYPE	f=QXC	l=QSC2	r=QAW
B=GX390K1	a=VXP	g=VA2	m=QND	
	b=VXE2	h=QXC9	n=QNK	
	c=VXE	i=QNE9	o=QWA4	
	d=QA2	j=VPX5	p=QWC4	
	e=QAE2	k=VXP7	q=VAC2	

E-14-2

Ref	Description	Type	Engine Serial Number		QTY	Part Number	H/C
			From	To			
1	GASKET SET .....	j	-----	-----	1	16010-ZA0-921	2652832
2	VALVE SET, FLOAT .....	j	-----	-----	1	16011-ZA0-931	2059236
3	FLOAT SET .....	j	-----	-----	1	16013-ZA0-931	2059244
4	CHAMBER SET, FLOAT .....	j	-----	-----	1	16015-ZA0-931	2386241
6	SCREW SET, DRAIN .....	j	-----	-----	1	16024-124-760	0640052
7	SCREW SET .....	j	-----	-----	1	16028-ZA0-701	2059251
8	CARBURETOR ASSY. (BE87F A) .....	j	-----	-----	1	16100-ZK6-U71	7444086
9	SCREW, THROTTLE STOP .....	j	-----	-----	1	16124-ZE0-005	1441559
10	CAP, CHOKE LEVER DUST .....	j	-----	-----	1	16148-141-881	2110468
11	NOZZLE, MAIN .....	j	-----	-----	1	16166-ZF6-005	3134491
12	COLLAR, SET .....	j	-----	-----	1	16172-ZE3-W10	3738358
14	INSULATOR, CARBURETOR .....	j	-----	-----	1	16211-ZF6-D40	3750882
16	GASKET, CARBURETOR .....	j	-----	-----	1	16221-ZF6-800	3713161
17	GASKET, INSULATOR .....	j	-----	-----	1	16223-ZE3-W00	3713179
19	STAY ASSY., MANUAL CHOKE .....	j	-----	-----	1	16260-ZE2-722	2868966
20	STAY, SOLENOID .....	j	-----	-----	1	16261-ZE2-702	2868974
21	LEVER, CHOKE .....	j	-----	-----	1	16262-ZE2-711	2326171
22	JOINT, ROD .....	j	-----	-----	1	16263-ZA0-000	1307677



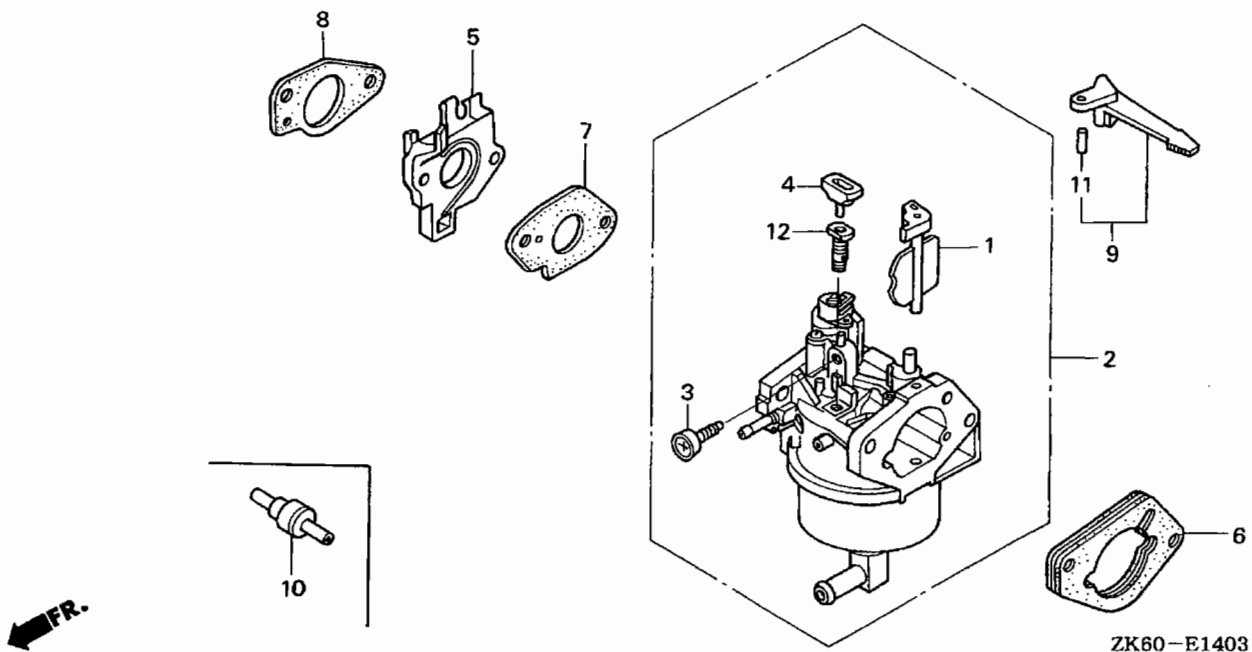
# CARBURETOR (3)

<b>MODEL</b>	<b>TYPE</b>	f=QXC	l=QSC2	r=QAW
B =GX390K1	a =VXP	g =VA2	m =QND	
	b =VXE2	h =QXC9	n =QNK	
	c =VXE	i =QNE9	o =QWA4	
	d =QA2	j =VPX5	p =QWC4	
	e =QAE2	k =VXP7	q =VAC2	

E-14-2

Ref	Description	Type	Engine Serial Number		QTY	Part Number	H/C
			From	To			
23	ROD, CHOKE.....	j	-----	-----	1	16264-ZE2-701	2326189
24	STOPPER, CHOKE ROD.....	j	-----	-----	1	16265-ZE2-721	2868958
25	SPRING, MANUAL CHOKE.....	j	-----	-----	1	16268-ZE2-721	2326197
26	GASKET, AIR CLEANER.....	j	-----	-----	2	16269-ZA0-800	3755212
27	DIAPHRAGM ASSY. ....	j	-----	-----	1	16400-ZE2-703	2868982
28	ROD, CHOKE CONTROL.....	j	-----	-----	1	16611-ZE2-711	2326213
29	GROMMET, CHOKE ROD.....	j	-----	-----	1	16613-893-000	0788596
30	GUIDE, CHOKE ROD.....	j	-----	-----	1	16615-893-000	0788604
31	VALVE, DASHPOT CHECK.....	j	-----	-----	1	36135-ZF6-D41	3751138
33	BUSH, ARM PIVOT.....	j	-----	-----	1	53149-964-003	2279644
34	GROMMET, FENDER.....	j	-----	-----	1	88911-MJ3-000	2288900
35	WASHER, CHOKE LEVER.....	j	-----	-----	1	90431-ZE2-700	2279925
36	SEAL, CHOKE LEVER.....	j	-----	-----	2	90432-ZE2-700	2279933
37	WASHER, THRUST (2.7X8).....	j	-----	-----	1	90433-ZE2-700	2279941
38	COLLAR, LEVER.....	j	-----	-----	1	90434-ZE2-700	2279958
40	SCREW, PAN (5X12).....	j	-----	-----	2	93500-05012-0A	0173567
42	NUT, FLANGE (6MM).....	j	-----	-----	2	94050-06000	0471623
43	WASHER, PLAIN (5MM).....	j	-----	-----	1	94103-05000	1555630
44	E-RING (2MM).....	j	-----	-----	1	94540-02010	2280071
45	E-RING (4MM).....	j	-----	-----	1	94540-04010	1834878
46	E-RING (7MM).....	j	-----	-----	1	94540-07010	2280097
48	CLIP, TUBE (B7).....	j	-----	-----	4	95002-02070	0250639
50	BULK HOSE, VACUUM (3.5X8000) (3.5X75).....	j	-----	-----	1	95005-35008-10M	2325058
51	BULK HOSE, VACUUM (3.5X8000) (3.5X130).....	j	-----	-----	1	95005-35008-10M	2325058
52	JET, MAIN (#98).....	j	-----	-----	(1)	99101-ZH8-0980	6059836
	JET, MAIN (#100).....	j	-----	-----	(1)	99101-ZH8-1000	6059844
	JET, MAIN (#102).....	j	-----	-----	1	99101-ZH8-1020	6059851
53	JET SET, PILOT (#45).....	j	-----	-----	1	99204-ZA0-0450	2060465
54	SCREW SET.....	j	-----	-----	1	16016-ZH8-W01	4212387

# CARBURETOR (4)



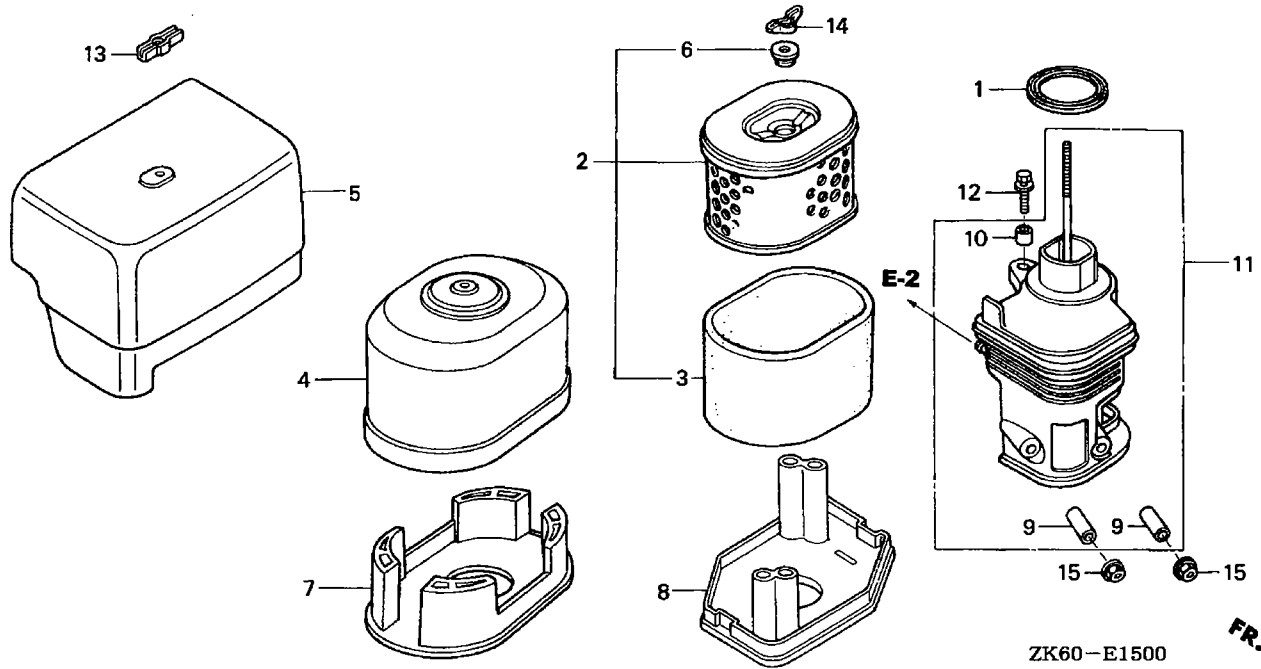
ZK60E1403

<b>MODEL</b>	<b>TYPE</b>	f=QXC	l=QSC2	r=QAW
B =GX390K1	a=VXP	g=VA2	m=QND	
	b=VXE2	h=QXC9	n=QNK	
	c=VXE	i=QNE9	o=QWA4	
	d=QA2	j=VPX5	p=QWC4	
	e=QAE2	k=VXP7	q=VAC2	

E-14-3

Ref	Description	Type	Engine Serial Number		QTY	Part Number	H/C
			From	To			
1	CHOKE SET.....	a	-----	-----	1	16044-ZF6-W61	6141444
2	CARBURETOR ASSY.....	a	-----	-----	1	16100-ZF6-W61	6141451
3	SCREW, THROTTLE STOP.....	a	-----	-----	1	16124-ZE0-005	1441559
4	COLLAR, SET .....	a	-----	-----	1	16172-ZE3-W10	3738358
5	INSULATOR, CARBURETOR .....	a	-----	-----	1	16211-ZF6-000	3501277
6	SPACER, CARBURETOR .....	a	-----	-----	1	16220-ZA0-702	2686533
7	GASKET, CARBURETOR .....	a	-----	-----	1	16221-ZF6-800	3713161
8	GASKET, INSULATOR.....	a	-----	-----	1	16223-ZE3-W00	3713179
9	LEVER, CHOKE (STD).....	a	-----	-----	1	16610-ZE1-000	1440114
10	VALVE, DASHPOT CHECK .....	a	-----	-----	1	36135-PH3-004	2177228
11	PIN, SPRING (2X12) .....	a	-----	-----	1	94305-20122	1441591
12	JET, PILOT (#45) .....	a	-----	-----	1	99104-ZE0-0450	6141618

# AIR CLEANER (1)



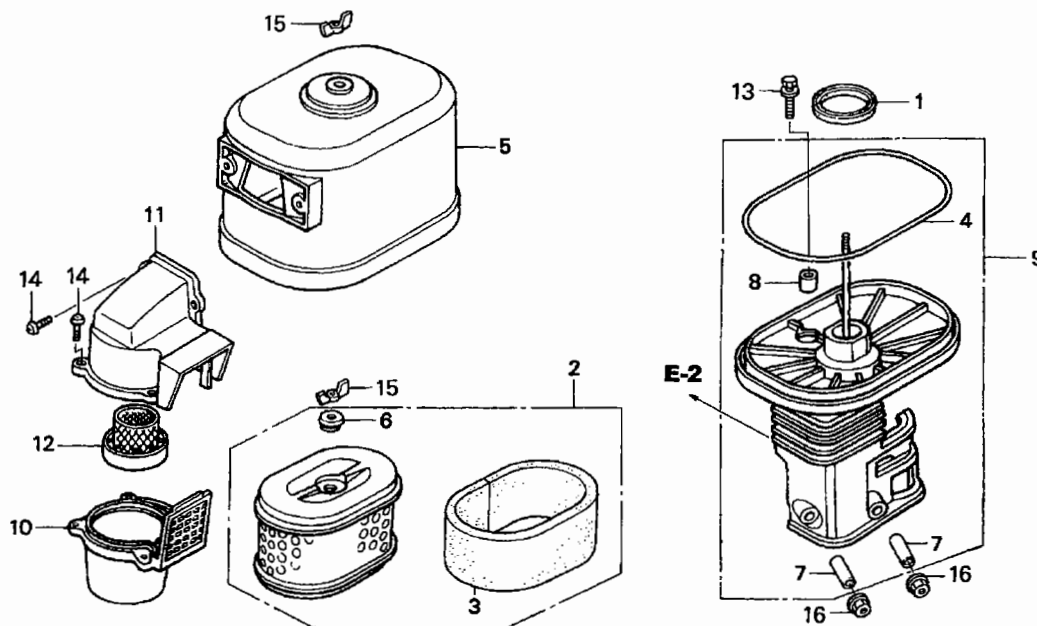
ZK60E1500

MODEL	TYPE	f=QXC	l=QSC2	r=QAW
B =GX390K1	a =VXP	g =VA2	m =QND	
	b =VXE2	h =QXC9	n =QNK	
	c =VXE	i =QNE9	o =QWA4	
	d =QA2	j =VPX5	p =QWC4	
	e =QAE2	k =VXP7	q =VAC2	

E-15

Ref	Description	Type	Engine Serial Number		QTY	Part Number	H/C
			From	To			
1	GASKET, ELBOW .....	a b c d e g i k m n q r	-----	-----	1	16271-ZE2-010	7301195
2	ELEMENT, AIR CLEANER.....	a b c d e g i k m n q r	-----	-----	1	17210-ZE3-505	5252697
3	FILTER (OUTER).....	a b c d e g i k m n q r	-----	-----	1	17218-ZE3-505	5281449
5	COVER, AIR CLEANER.....	a b c d e g i k m n q r	-----	-----	1	17231-ZE3-W01	6722623
6	GROMMET, AIR CLEANER.....	a b c d e g i k m n q r	-----	-----	1	17232-891-000	0999763
8	NOSE, MUFFLER.....	a b c d e g i k m n q r	-----	-----	1	17235-ZH9-N00	3713252
9	COLLAR, AIR CLEANER.....	a b c d e g i k m n q r	-----	-----	2	17238-ZE2-310	2384105
10	COLLAR B, AIR CLEANER.....	a b c d e g i k m n q r	-----	-----	1	17239-ZE1-000	1427533
11	ELBOW, AIR CLEANER.....	a b c d e g i k m n q r	-----	-----	1	17410-ZH9-N00	3713260
12	BOLT-WASHER (6X22).....	a b c d e g i k m n q r	-----	-----	1	90009-ZE2-003	6437297
13	WINGNUT (6MM).....	b d e g i n r	-----	-----	1	90203-ZA0-800	1742238
14	WINGNUT, TOOL BOX SETTING.....	a b c d e g i k m n q r	-----	-----	1	90325-044-000	0127720
15	NUT, FLANGE (6MM).....	a b c d e g i k m n q r	-----	-----	2	94050-06000	0471623

# AIR CLEANER (3)



ZK60-E1502

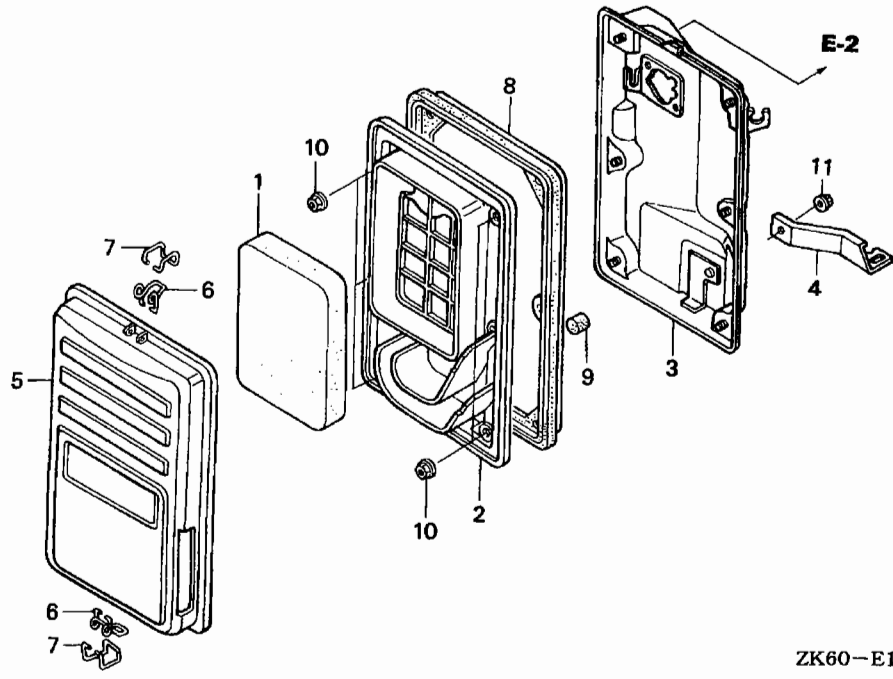
ZK60E1502

MODEL	TYPE	f=QXC	l=QSC2	r=QAW
B =GX390K1	a =VXP	g =VA2	m =QND	
	b =VXE2	h =QXC9	n =QNK	
	c =VXE	i =QNE9	o =QWA4	
	d =QA2	j =VPX5	p =QWC4	
	e =QAE2	k =VXP7	q =VAC2	

E-15-2

Ref	Description	Type	Engine Serial Number		QTY	Part Number	H/C
			From	To			
1	GASKET, ELBOW .....	f h l o p	-----	-----	1	16271-ZE2-010	7301195
2	ELEMENT, AIR CLEANER.....	f h l o p	-----	-----	1	17210-ZE3-505	5252697
3	FILTER (OUTER).....	f h l o p	-----	-----	1	17218-ZE3-505	5281449
4	SEAL, AIR CLEANER COVER.....	f h l o p	-----	-----	1	17219-HA2-405	2943017
	SEAL, AIR CLEANER COVER.....	f h l o p	-----	-----	1	17219-KL4-000	1732429
5	COVER, AIR CLEANER (CYCLONE) .....	f h l o p	-----	-----	1	17230-ZE3-841	2660488
6	GROMMET, AIR CLEANER.....	f h l o p	-----	-----	1	17232-891-000	0999763
7	COLLAR, AIR CLEANER .....	f h l o p	-----	-----	2	17238-ZE2-310	2384105
8	COLLAR B, AIR CLEANER .....	f h l o p	-----	-----	1	17239-ZE3-840	2871424
9	ELBOW, AIR CLEANER.....	f h l o p	-----	-----	1	17410-ZE3-840	2660496
10	CASE, PRE AIR CLEANER .....	f h o p	-----	-----	1	17470-ZE3-841	2660504
	CASE, PRE AIR CLEANER .....	f h l o p	-----	-----	1	17470-ZE3-842	7392913
11	CAP, PRE AIR CLEANER .....	f h l o p	-----	-----	1	17475-ZE3-841	2660512
12	GUIDE, PRE AIR CLEANER .....	f h l o p	-----	-----	1	17476-ZE3-841	2660520
13	BOLT-WASHER (6X22) .....	f h l o p	-----	-----	1	90009-ZE2-003	6437297
14	SCREW, PAN (5X16.5) .....	f h l o p	-----	-----	5	90142-MB0-000	1251040
15	WINGNUT, TOOL BOX SETTING .....	f h l o p	-----	-----	2	90325-044-000	0127720
16	NUT, FLANGE (6MM).....	f h l o p	-----	-----	2	94050-06000	0471623

# AIR CLEANER (4)



ZK60-E1503

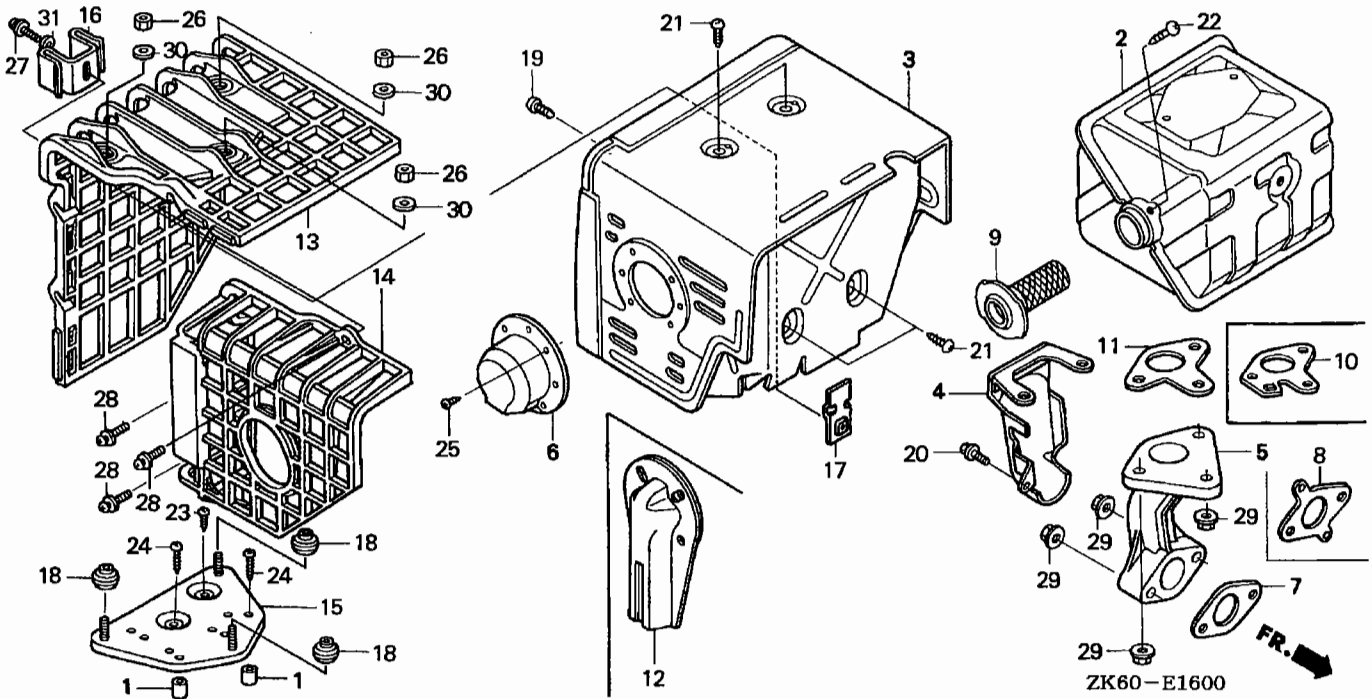
ZK60E1503

MODEL	TYPE	f=QXC	l=QSC2	r=QAW
B =GX390K1	a =VXP	g =VA2	m =QND	
	b =VXE2	h =QXC9	n =QNK	
	c =VXE	i =QNE9	o =QWA4	
	d =QA2	j =VPX5	p =QWC4	
	e =QAE2	k =VXP7	q =VAC2	

E-15-3

Ref	Description	Type	Engine Serial Number		QTY	Part Number	H/C
			From	To			
1	ELEMENT, AIR CLEANER.....	j	-----	-----	1	17211-899-000	1239300
2	SEPARATOR, AIR CLEANER .....	j	-----	-----	1	17212-ZB4-003	2278596
3	HOUSING, AIR CLEANER.....	j	-----	-----	1	17220-ZB4-003	2278604
4	STAY, AIR CLEANER .....	j	-----	-----	1	17222-ZC2-000	2278612
5	COVER, AIR CLEANER.....	j	-----	-----	1	17231-899-000	1239334
6	CLIP A, AIR CLEANER WIRE .....	j	-----	-----	2	17235-899-000	1239342
7	CLIP B, AIR CLEANER WIRE .....	j	-----	-----	2	17236-899-000	1239359
8	SEAL, AIR CLEANER.....	j	-----	-----	1	17252-899-000	1239367
9	FILTER, DRAIN TUBE .....	j	-----	-----	1	17367-413-690	0704437
10	NUT, FLANGE (5MM).....	j	-----	-----	6	94050-05000	0636951
11	NUT, FLANGE (6MM).....	j	-----	-----	1	94050-06000	0471623

# MUFFLER (1)



ZK60E1600

<b>MODEL</b>	<b>TYPE</b>	f=QXC	l=QSC2	r=QAW
B =GX390K1	a =VXP	g =VA2	m =QND	
	b =VXE2	h =QXC9	n =QNK	
	c =VXE	i =QNE9	o =QWA4	
	d =QA2	j =VPX5	p =QWC4	
	e =QAE2	k =VXP7	q =VAC2	

E-16

Ref	Description	Type	Engine Serial Number		QTY	Part Number	H/C
			From	To			
1	COLLAR, AIR CLEANER HOUSING .....	j k o p	-----	-----	(2)	17233-896-701	2577419
2	MUFFLER (100DB) .....	a b c d e f g h i l m n o p q r	-----	-----	1	18310-ZE2-W61	6145353
3	PROTECTOR, MUFFLER .....	a b c d e f g h i l m n o p q r	-----	-----	1	18320-ZE2-W61	4684098
4	PROTECTOR, EX. PIPE .....	d e g i l m n q r	-----	-----	1	18323-ZE3-W40	3713286
5	PIPE, EX. ....	a b c d e f g h i l m n o p q r	-----	-----	1	18330-ZE2-W00	3678794
6	CAP, MUFFLER .....	d e g i m n o p r	-----	-----	1	18331-ZE3-810	2108082
8	GASKET, EX. PIPE .....	a b c d e f g h i l m n o p q r	-----	-----	1	18333-ZF6-W01	6145361
9	ARRESTER, SPARK .....	d e g j k o p q r	-----	-----	1	18355-ZE2-W00	3690302
		f h i l m n	-----	-----	(1)	18355-ZE2-W00	3690302
10	GASKET, MUFFLER (ARRESTER) .....	d e g o p q r	-----	-----	1	18381-ZE2-W10	3678802
		f h i l m n	-----	-----	(1)	18381-ZE2-W10	3678802
11	GASKET, MUFFLER .....	a b c f h i l m n	-----	-----	1	18381-ZE2-800	3678810
13	COVER, MUFFLER .....	j k o p	-----	-----	(1)	18433-ZF6-W40	4787149
14	COVER, RR. MUFFLER .....	j k o p	-----	-----	(1)	18434-ZF6-W40	4787164
15	BASE, MUFFLER COVER .....	j k o p	-----	-----	(1)	18436-ZH8-W40	4787180
16	STAY, MUFFLER COVER .....	j k o p	-----	-----	(1)	18437-ZF6-W40	5023684
17	PLATE, SET .....	j k o p	-----	-----	(1)	18438-ZF6-W40	5023676
18	SPACER, MUFFLER COVER .....	j k o p	-----	-----	(3)	18466-ZH8-W40	4787198

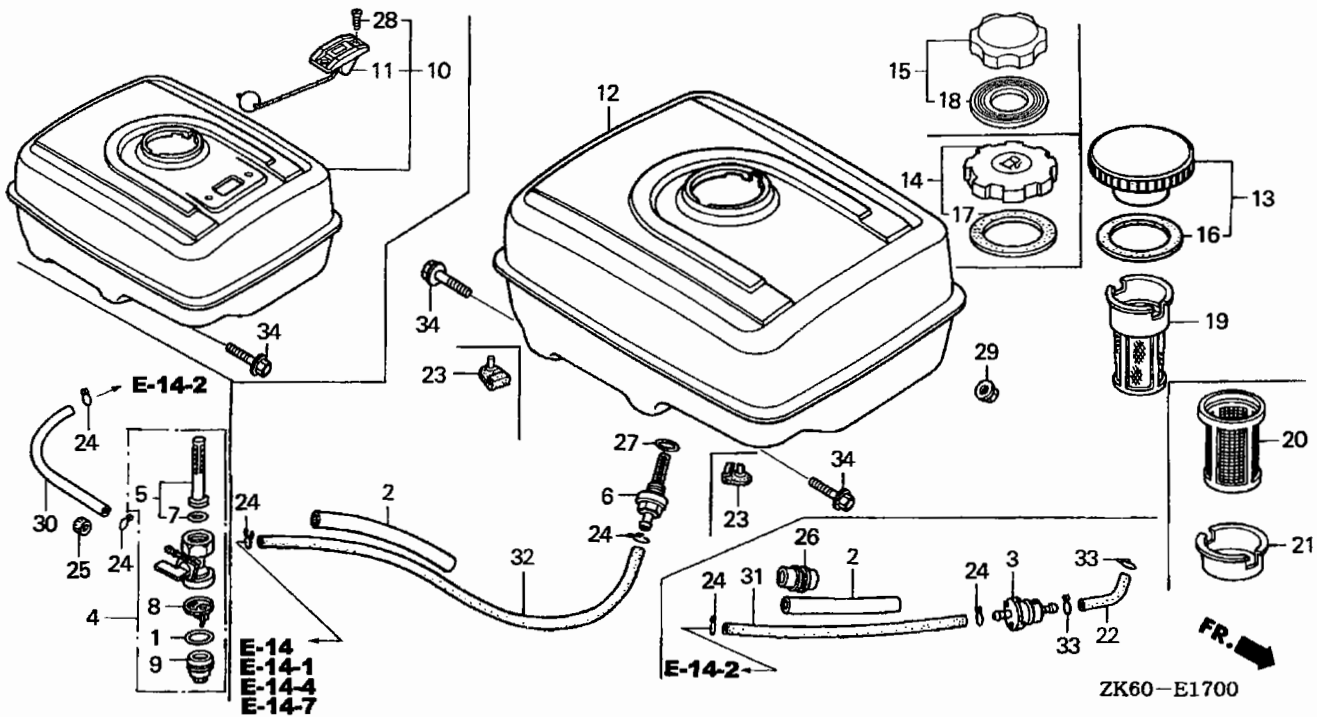
# MUFFLER (1)

<b>MODEL</b>	<b>TYPE</b>	f=QXC	l=QSC2	r=QAW
B =GX390K1	a =VXP	g =VA2	m =QND	
	b =VXE2	h =QXC9	n =QNK	
	c =VXE	i =QNE9	o =QWA4	
	d =QA2	j =VPX5	p =QWC4	
	e =QAE2	k =VXP7	q =VAC2	

E-16

Ref	Description	Type	Engine Serial Number		QTY	Part Number	H/C
			From	To			
19	SCREW, TAPPING (6X10).....	a b c d e f g h i l m n o p q r	-----	-----	1	90006-ZE2-000	4335436
20	BOLT, FLANGE (6X12) (CT200) .....	d e g i l m n q r	-----	-----	1	90013-883-000	0636845
21	SCREW, TAPPING (5X8).....	a b c d e f g h i l m n o p q r	-----	-----	4	90050-ZE1-000	1431105
22	SCREW, TAPPING (5X8).....	d e g j k o p q r	-----	-----	1	90050-ZE1-000	1431105
23	SCREW, TAPPING (5X8).....	j k o p	-----	-----	(1)	90050-ZE1-000	1431105
24	SCREW, TAPPING (5X25).....	j k o p	-----	-----	(2)	90050-ZH8-W40	4787206
25	SCREW, TAPPING (4X6).....	d e g i m n o p r	-----	-----	3	90055-ZE1-000	1431121
26	NUT, HEX. (5MM).....	j k o p	-----	-----	(3)	90302-KF9-900	4787214
27	SCREW-WASHER (5X12) .....	j k o p	-----	-----	(1)	93891-05012-0A	0380634
	SCREW-WASHER (5X12) .....	j k o p	-----	-----	(1)	93891-05012-00	0487009
28	SCREW-WASHER (6X20) .....	j k o p	-----	-----	(3)	93891-06020-07	1188614
29	NUT, FLANGE (8MM).....	a b c d e f g h i l m n o p q r	-----	-----	5	94050-08000	0481143
30	WASHER, PLAIN (5MM) .....	j k o p	-----	-----	(3)	94103-05700	0692491
31	WASHER, SPRING (5MM).....	j k o p	-----	-----	(1)	94111-05000	0058966

# FUEL TANK (1)



ZK60E1700

MODEL	TYPE	f=QXC	l=QSC2	r=QAW
B =GX390K1	a =VXP	g =VA2	m =QND	
	b =VXE2	h =QXC9	n =QNK	
	c =VXE	i =QNE9	o =QWA4	
	d =QA2	j =VPX5	p =QWC4	
	e =QAE2	k =VXP7	q =VAC2	

E-17

Ref	Description	Type	Engine Serial Number		QTY	Part Number	H/C
			From	To			
2	RUBBER, SUPPORTER .....	c f	-----	-----	1	16854-ZE1-000	1436674
	RUBBER, SUPPORTER (107MM).....	b c d e f g h i k l m n o p q r	-----	-----	1	16854-ZH8-000	3683646
3	FILTER, FUEL .....	j	-----	-----	1	16910-GB2-005	1420629
6	JOINT, FUEL TANK .....	b c d e f g h i k l m n o p r	-----	-----	1	16955-ZE1-000	1427459
12	TANK, FUEL *NH31* (MCKINLEY WHITE)	b c d e f g h i k l m n r	-----	-----	1	17510-ZE3-010ZA	3713278
	TANK, FUEL *NH1* (BLACK).....	d h i o p	-----	-----	1	17510-ZE3-010ZB	4475372
	TANK, FUEL *T34* (SIMPSON BLUE).....	d	-----	-----	1	17510-ZE3-010ZD	4722781
	TANK, FUEL *NH105* (MAT BLACK) .....	b	-----	-----	1	17510-ZE3-010ZE	4717401
14	CAP, FUEL FILLER .....	b c d e f g h i k m n o p r	-----	-----	1	17620-ZH7-023	5344817
15	CAP, FUEL FILLER .....	l	-----	-----	1	17620-ZOT-814	7444433
17	GASKET, FUEL FILLER CAP .....	b c d e f g h i k m n o p r	-----	-----	1	17631-ZH7-003	4608725
18	GASKET, FUEL FILLER CAP .....	l	-----	-----	1	17631-ZOT-812	7444441
19	FILTER, FUEL .....	d e g i m n r	-----	-----	1	17672-ZE2-W01	4270864
20	FILTER, FUEL .....	l	-----	-----	1	17672-880-000	0474759
21	HOLDER, FUEL FILTER .....	l	-----	-----	1	17673-893-000	0788109
24	CLIP, TUBE (B8) .....	b c d e f g h i j k l m n o p q r	-----	-----	2	95002-02080	0250647
26	RUBBER, FUEL .....	j	-----	-----	1	90854-ZB3-000	5581020
27	O-RING (13.5X1.5) (ARAI).....	b c d e f g h i k l m n o p r	-----	-----	1	91353-671-003	0949883



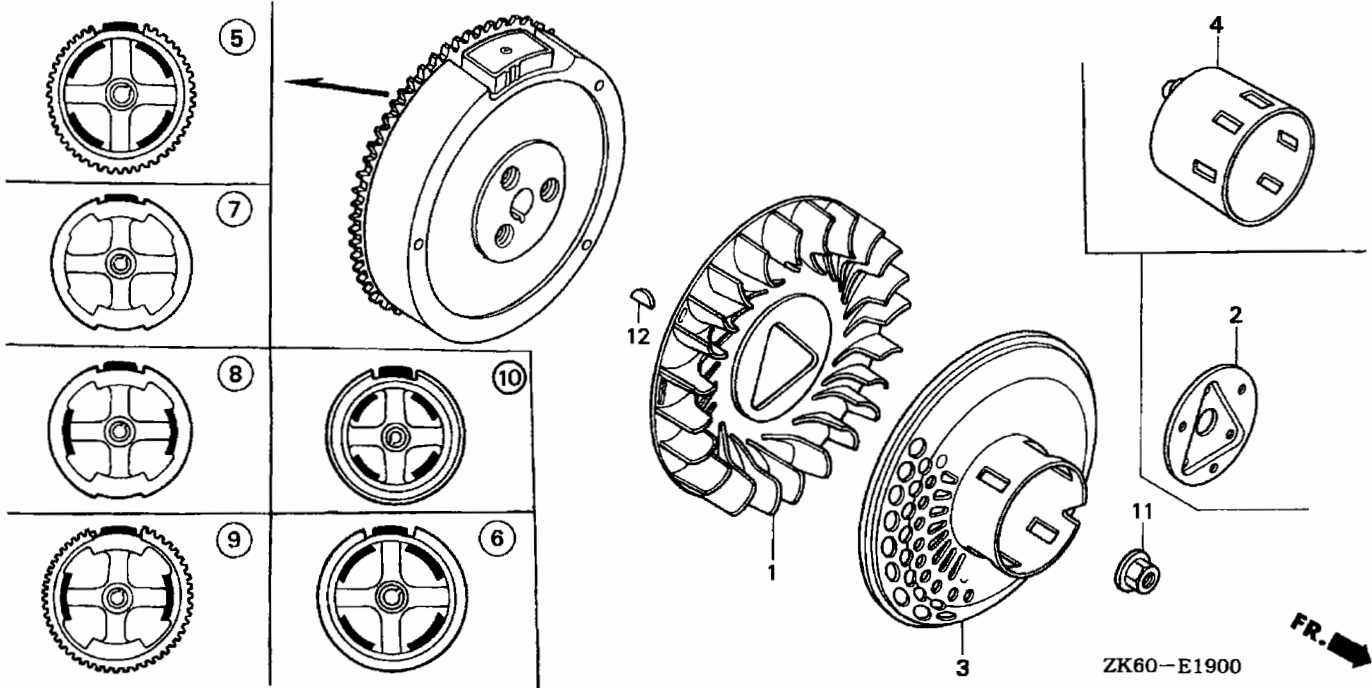
# FUEL TANK (1)

<b>MODEL</b>	<b>TYPE</b>	f=QXC	l=QSC2	r=QAW
B =GX390K1	a =VXP	g =VA2	m =QND	
	b =VXE2	h =QXC9	n =QNK	
	c =VXE	i =QNE9	o =QWA4	
	d =QA2	j =VPX5	p =QWC4	
	e =QAE2	k =VXP7	q =VAC2	

E-17

Ref	Description	Type	Engine Serial Number		QTY	Part Number	H/C
			From	To			
29	NUT, FLANGE (8MM).....	b c d e f g h i k l m n o p r	-----	-----	2	94050-08000	0481143
31	BULK HOSE, FUEL (4.5X3000) (4.5X180)	j	-----	-----	1	95001-45003-60M	5137104
32	BULK HOSE, FUEL (4.5X3000) (4.5X235)	b c d e f g h i k l m n o p q r	-----	-----	1	95001-45003-60M	5137104
34	BOLT, FLANGE (8X25) .....	b c d e f g h i k l m n o p r	-----	-----	2	95701-08025-00	2545325

# FLYWHEEL (1)



ZK60-E1900

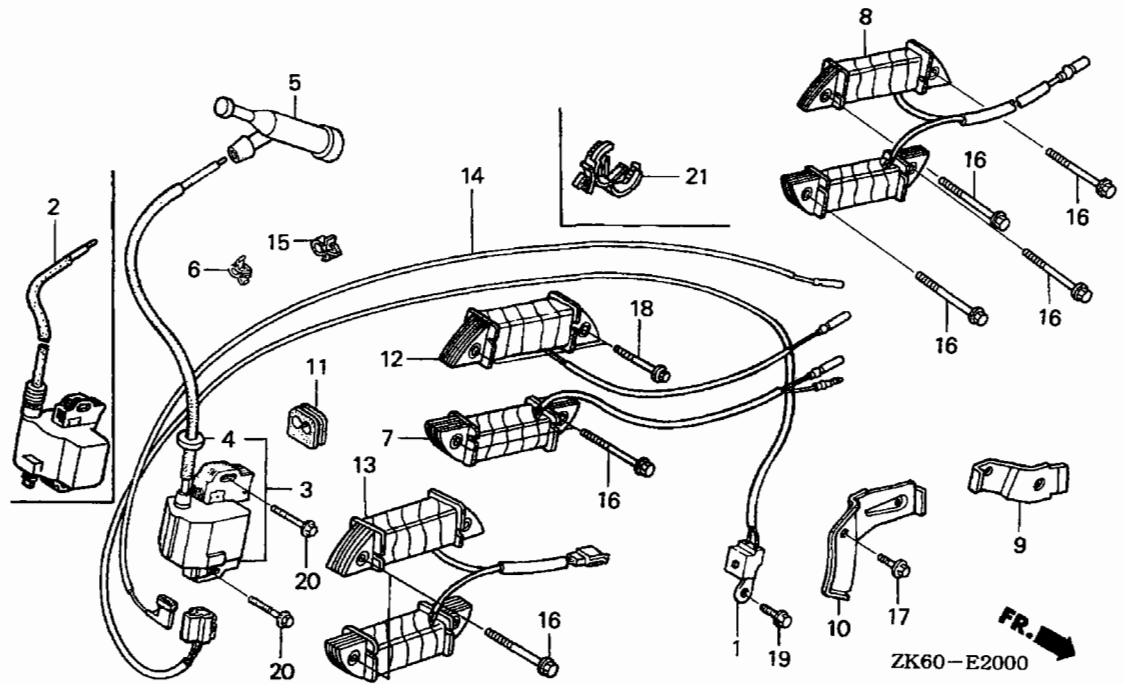
ZK60E1900

MODEL	TYPE	f=QXC	l=QSC2	r=QAW
B =GX390K1	a =VXP	g =VA2	m =QND	
	b =VXE2	h =QXC9	n =QNK	
	c =VXE	i =QNE9	o =QWA4	
	d =QA2	j =VPX5	p =QWC4	
	e =QAE2	k =VXP7	q =VAC2	

E-19

Ref	Description	Type	Engine Serial Number		QTY	Part Number	H/C
			From	To			
1	FAN, COOLING .....	a b c d e f g h i j k l m n o p q r	-----	-----	1	19511-ZE3-000	2108108
3	PULLEY, STARTER (SCREEN GRID).....	b c d e f g h i k l m n q r	-----	-----	1	28450-ZE3-W11	3713336
4	PULLEY, STARTER.....	a j k o p	-----	-----	1	28451-ZE3-W01	3735511
5	FLYWHEEL (4 POLE) .....	p	-----	-----	1	31100-ZE3-U10	6343594
6	FLYWHEEL (4 POLE) .....	e i l n	-----	-----	1	31100-ZE3-W01	5355805
	FLYWHEEL (SEL-18A).....	m	-----	-----	1	31100-ZE3-W21	5355813
7	FLYWHEEL .....	a d f g h j k o q r	-----	-----	1	31100-ZE3-701	5355821
9	FLYWHEEL (SEL-LAMP).....	b c	-----	-----	1	31100-ZE3-722	5355839
11	NUT, SPECIAL (16MM) (1) .....	a b c d e f g h i j k l m n o p q r	-----	-----	1	90201-ZE3-V00	5032727
12	KEY, SPECIAL WOODRUFF (25X18) .....	a b c d e f g h i j k l m n o p q r	-----	-----	1	90741-ZE2-000	2027159

# IGNITION COIL (1)



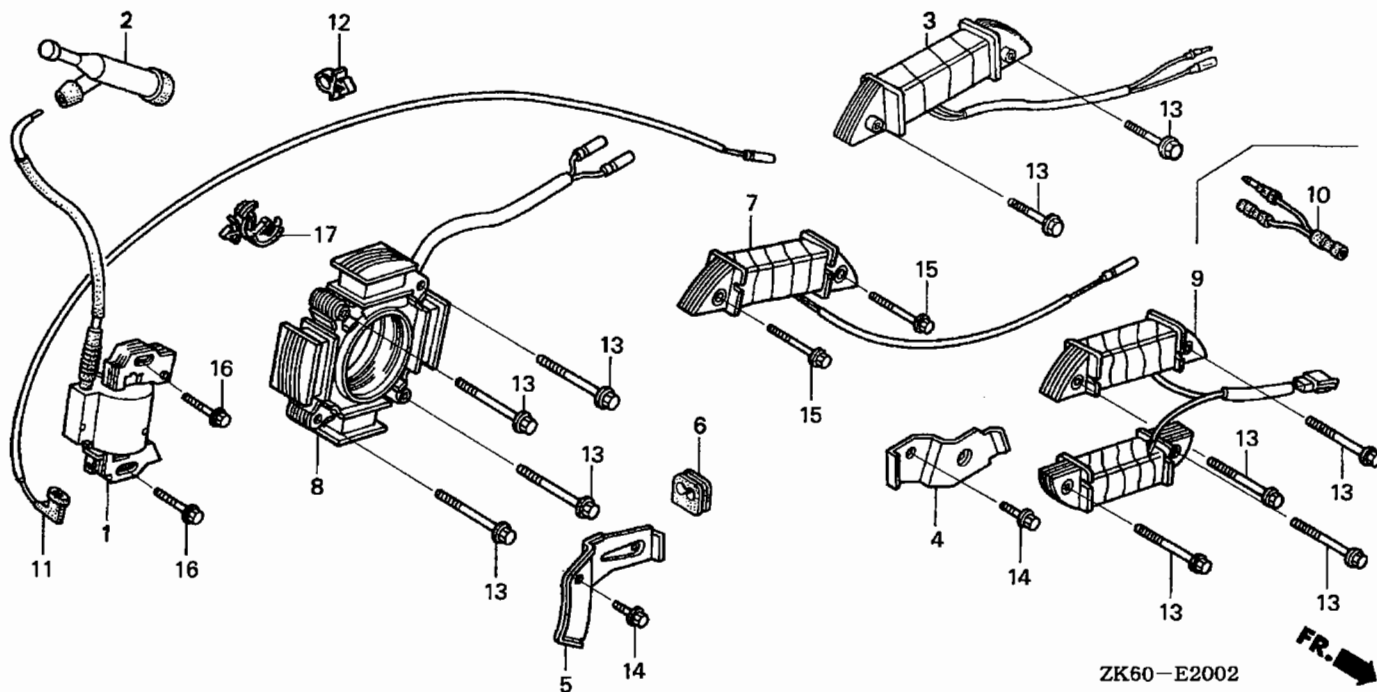
ZK60E2000

<b>MODEL</b>	<b>TYPE</b>	f=QXC	l=QSC2	r=QAW
B =GX390K1	a =VXP	g =VA2	m =QND	
	b =VXE2	h =QXC9	n =QNK	
	c =VXE	i =QNE9	o =QWA4	
	d =QA2	j =VPX5	p =QWC4	
	e =QAE2	k =VXP7	q =VAC2	

E-20

Ref	Description	Type	Engine Serial Number		QTY	Part Number	H/C
			From	To			
2	COIL ASSY., IGNITION .....	a b c d e f g h i j k l o p	-----	-----	1	30500-ZF6-W02	7032428
5	CAP ASSY., NOISE SUPPRESSOR .....	a b c d e f g h i j k l o p	-----	-----	1	30700-ZE1-013	3526837
10	CLAMP, WIRE .....	b c e i l p	-----	-----	1	31511-ZE3-000	2108363
11	GROMMET, WIRE .....	a b c d e f g h i j k l o p	-----	-----	1	31512-ZE2-000	2026557
12	COIL ASSY., CHARGE .....	b c	-----	-----	1	31630-ZE1-003	2026615
	COIL ASSY., CHARGE (3A).....	e	-----	-----	1	31630-ZE2-841	3194644
13	COIL ASSY., CHARGE (10A).....	i l p	-----	-----	1	31630-ZE2-861	2534907
14	WIRE, STOP SWITCH (430MM) .....	a b c d e f g h i j k l o p	-----	-----	1	36101-ZE2-701	3713435
15	HOLDER, STOP SWITCH WIRE .....	c	-----	-----	1	36103-ZE1-000	1429141
16	BOLT, FLANGE (6X40) .....	i l p	-----	-----	4	90012-888-000	0671529
17	BOLT, FLANGE (6X12) (CT200) .....	a b c e i l p	-----	-----	1	90013-883-000	0636845
18	BOLT, FLANGE (6X40) .....	e	-----	-----	2	90012-888-000	0671529
	BOLT, FLANGE (6X35) .....	b c	-----	-----	2	90014-ZE6-000	1688076
20	BOLT, FLANGE (6X28) .....	a b c d e f g h i j k l o p	-----	-----	2	90015-883-000	0636852
21	CLIP, WIRE HARNESS .....	a d g h j k o p	-----	-----	1	90684-ZA0-601	2539138

# IGNITION COIL (3)



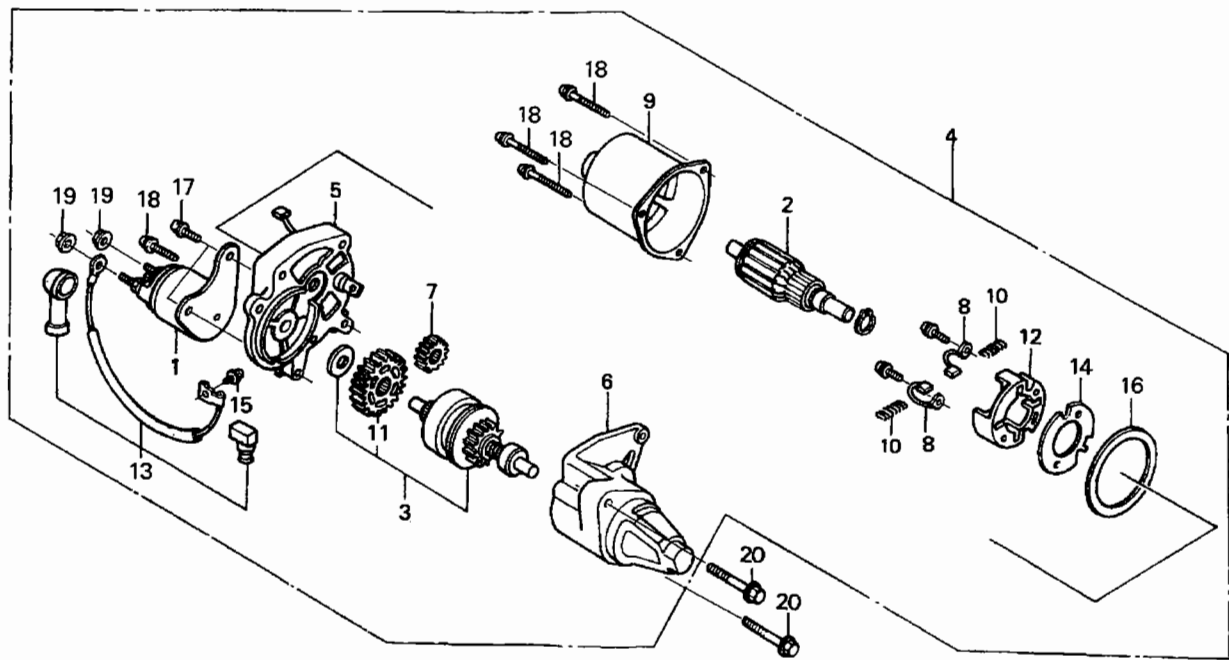
ZK60E2002

MODEL	TYPE	f=QXC	l=QSC2	r=QAW
B =GX390K1	a =VXP	g =VA2	m =QND	
	b =VXE2	h =QXC9	n =QNK	
	c =VXE	i =QNE9	o =QWA4	
	d =QA2	j =VPX5	p =QWC4	
	e =QAE2	k =VXP7	q =VAC2	

E-20-2

Ref	Description	Type	Engine Serial Number		QTY	Part Number	H/C
			From	To			
1	COIL ASSY., IGNITION .....	m n q r	-----	-----	1	30500-ZF6-W02	7032428
2	CAP ASSY., NOISE SUPPRESSOR .....	m n q r	-----	-----	1	30700-ZE1-013	3526837
4	CLAMP, WIRE .....	m	-----	-----	1	31511-ZE2-W00	4687760
5	CLAMP, WIRE .....	n	-----	-----	1	31511-ZE3-000	2108363
6	GROMMET, WIRE .....	m n q r	-----	-----	1	31512-ZE2-000	2026557
8	COIL ASSY., CHARGE (12V-18A).....	m	-----	-----	1	31630-ZE2-W01	4687786
9	COIL ASSY., CHARGE (10A).....	n	-----	-----	1	31630-ZE2-861	2534907
11	WIRE, STOP SWITCH (430MM) .....	m n q r	-----	-----	1	36101-ZE2-701	3713435
13	BOLT, FLANGE (6X40) .....	m n	-----	-----	4	90012-888-000	0671529
14	BOLT, FLANGE (6X12) (CT200) .....	m n	-----	-----	1	90013-883-000	0636845
16	BOLT, FLANGE (6X28) .....	m n q r	-----	-----	2	90015-883-000	0636852
17	CLIP, WIRE HARNESS .....	o p q r	-----	-----	1	90684-ZA0-601	2539138

# STARTER MOTOR (1)



ZK60-E2100

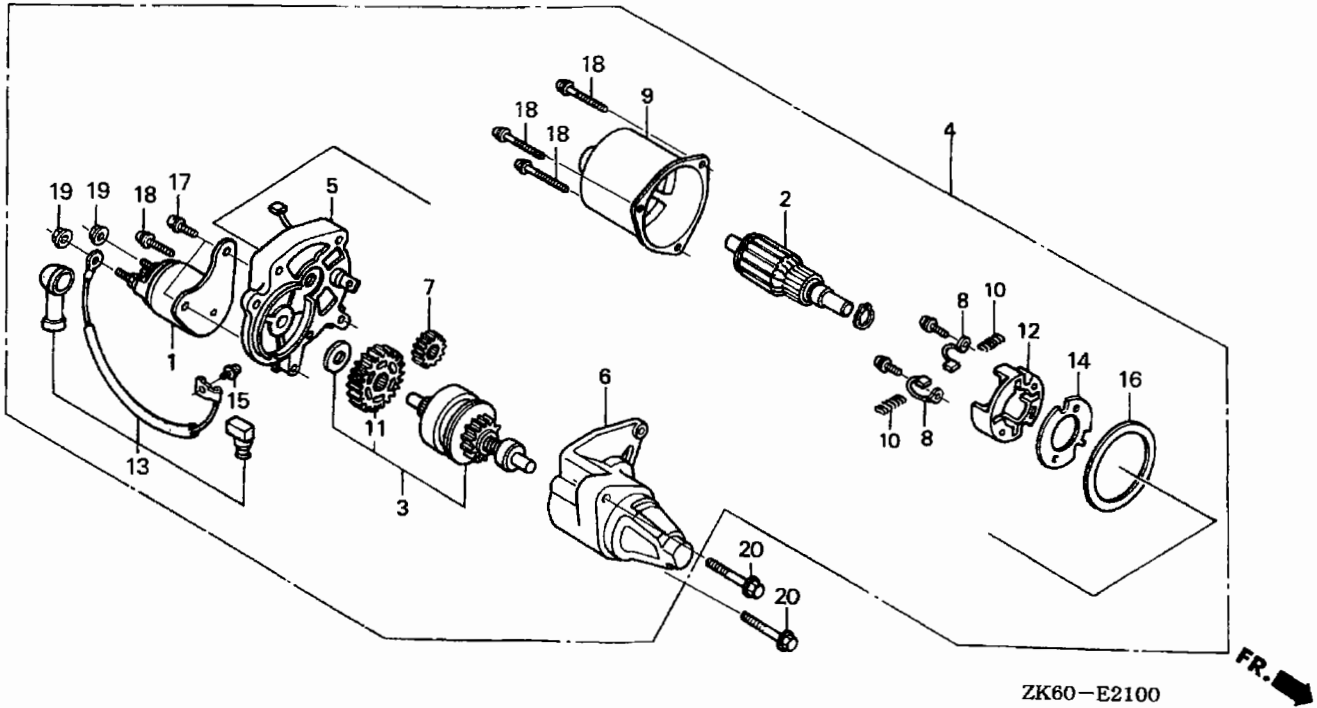
ZK60E2100

<b>MODEL</b>	<b>TYPE</b>	f=QXC	l=QSC2	r=QAW
B =GX390K1	a =VXP	g =VA2	m =QND	
	b =VXE2	h =QXC9	n =QNK	
	c =VXE	i =QNE9	o =QWA4	
	d =QA2	j =VPX5	p =QWC4	
	e =QAE2	k =VXP7	q =VAC2	

E-21

Ref	Description	Type	Engine Serial Number		QTY	Part Number	H/C
			From	To			
1	CONTACTOR ASSY.....	b c e i l m n	-----	-----	1	31204-ZA0-003	2108298
2	ARMATURE.....	b c e i l m n	-----	-----	1	31206-ZE3-003	2108306
3	CLUTCH, OVERRUNNING.....	b c e i l m n	-----	-----	1	31207-ZE3-003	2108314
4	MOTOR UNIT, STARTER.....	b c e i l m n	-----	-----	1	31210-ZE3-013	2450740
5	BRACKET, CENTER.....	b c e i l m n	-----	-----	1	31211-ZE2-003	2026433
6	BRACKET, FR.....	b c e i l m n	-----	-----	1	31212-ZE3-003	2108330
7	GEAR, DRIVE PINION.....	b c e i l m n	-----	-----	1	31213-ZE2-003	2026458
8	BRUSH.....	b c e i l m n	-----	-----	2	31215-ZE2-003	2026474
9	YOKE.....	b c e i l m n	-----	-----	1	31218-ZE3-003	2108348
10	SPRING, BRUSH RETURN.....	b c e i l m n	-----	-----	4	31219-ZE2-003	2026508
11	GEAR, REDUCTION.....	b c e i l m n	-----	-----	1	31222-ZE3-791	2418358
12	HOLDER, BRUSH.....	b c e i l m n	-----	-----	1	31231-ZE2-003	2026516
13	WIRE, WATER COVER.....	b c e i l m n	-----	-----	1	31232-ZE3-003	2108355
14	INSULATOR.....	b c e i l m n	-----	-----	1	31233-ZE2-003	2026524
15	SCREW-WASHER (4X6).....	b c e i l m n	-----	-----	1	90110-ZE2-003	2027100
16	GASKET.....	b c e i l m n	-----	-----	1	91601-ZE2-003	2027266
17	BOLT-WASHER (5X14).....	b c e i l m n	-----	-----	2	90007-ZE2-003	5340229
18	SCREW-WASHER (5X3).....	b c e i l m n	-----	-----	4	93892-05032-08	1171891

# STARTER MOTOR (1)



ZK60-E2100

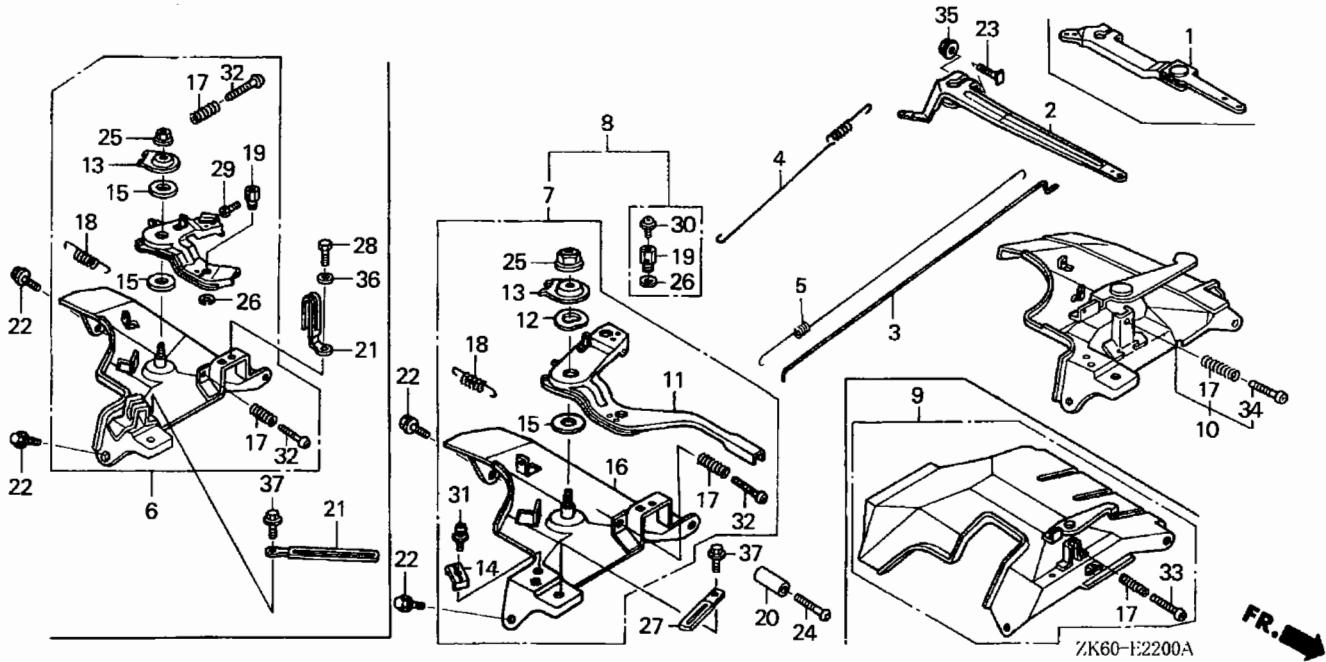
ZK60E2100

<b>MODEL</b>	<b>TYPE</b>	f=QXC	l=QSC2	r=QAW
B=GX390K1	a=VXP	g=VA2	m=QND	
	b=VXE2	h=QXC9	n=QNK	
	c=VXE	i=QNE9	o=QWA4	
	d=QA2	j=VPX5	p=QWC4	
	e=QAE2	k=VXP7	q=VAC2	

E-21

Ref	Description	Type	Engine Serial Number		QTY	Part Number	H/C
			From	To			
19	NUT-WASHER (6MM) .....	b c e i l m n	-----	-----	2	94070-06080	0660795
20	BOLT, FLANGE (8X35) .....	b c e i l m n	-----	-----	2	95701-08035-08	2563260

# CONTROL (1)



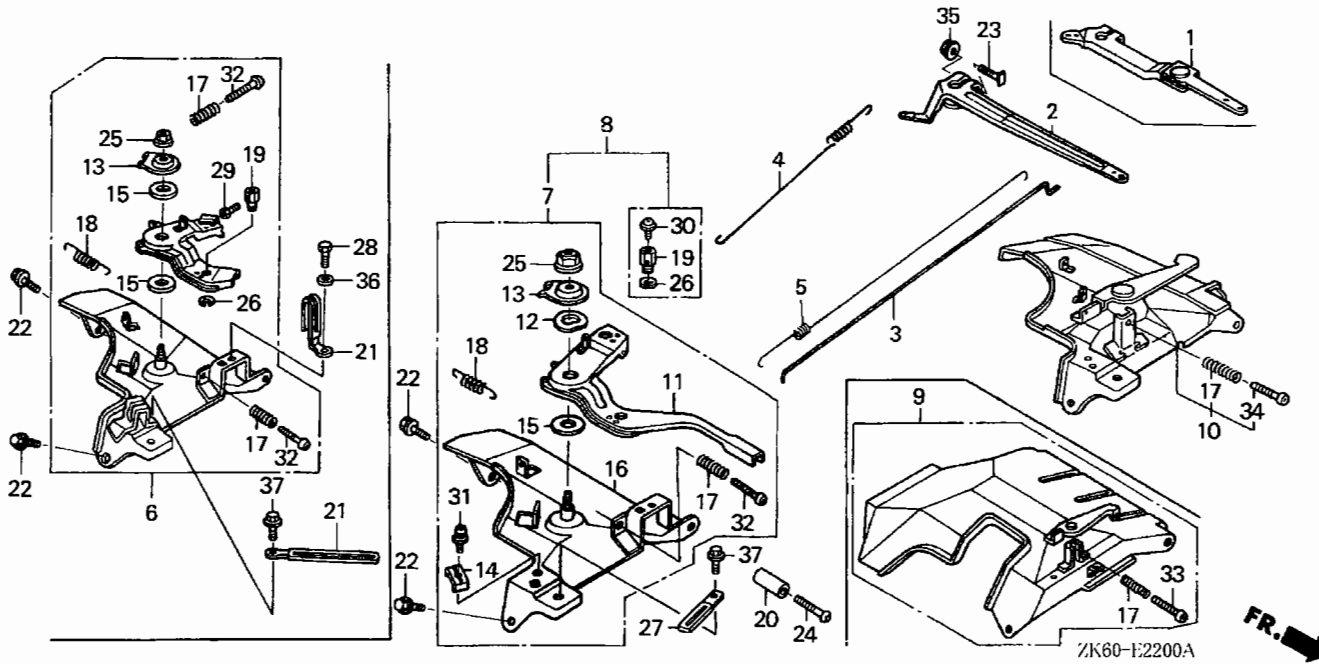
ZK60E2200A

E-22

<b>MODEL</b> B =GX390K1	<b>TYPE</b> a =VXP b =VXE2 c =VXE d =QA2 e =QAE2	f=QXC g =VA2 h =QXC9 i =QNE9 j =VPX5 k =VXP7	l=QSC2 m =QND n =QNK o =QWA4 p =QWC4 q =VAC2	r =QAW
----------------------------	---	---	---	--------

Ref	Description	Type	Engine Serial Number		QTY	Part Number	H/C
			From	To			
1	ARM, GOVERNOR.....	q	-----	-----	1	16550-ZE3-700	2278539
2	ARM, GOVERNOR.....	a b c d e f g h i j k l m n o p r	-----	-----	1	16551-ZE3-000	2107928
3	ROD, GOVERNOR (STD) .....	a	-----	-----	1	16555-ZE3-W00	4214102
	ROD, GOVERNOR.....	b c d e f g h i j k l m n o p q r	-----	-----	1	16555-ZE3-000	2107936
4	SPRING, GOVERNOR.....	a d e f h i l m n o p r	-----	-----	1	16561-ZE3-000	2107944
	SPRING, GOVERNOR.....	j	-----	-----	1	16561-ZE3-710	2378032
	SPRING, GOVERNOR.....	q	-----	-----	1	16561-ZF6-T21	6436901
	SPRING, GOVERNOR.....	b c g k	-----	-----	1	16561-ZF6-W31	6755870
5	SPRING, THROTTLE RETURN.....	a b c d e f g h i j k l m n o p r	-----	-----	1	16562-ZE3-000	2107951
	SPRING, THROTTLE RETURN.....	q	-----	-----	1	16562-ZE3-700	2384071
7	CONTROL ASSY.....	a b c	-----	-----	1	16570-ZE3-W00	3713203
	CONTROL ASSY. (REMOTE) .....	d e f g h i l m o p r	-----	-----	1	16570-ZE3-W20	3713211
	CONTROL ASSY.....	k	-----	-----	1	16570-ZK3-870	7444268
8	CONTROL ASSY. (REMOTE) .....	n	-----	-----	1	16570-ZE3-W10	3735453
10	CONTROL ASSY.....	j q	-----	-----	1	16570-ZE3-721	2378040
11	LEVER, CONTROL .....	a b c d e f g h i k l m n o p r	-----	-----	1	16571-ZE3-W00	3713229
12	SPRING, LEVER .....	a b c d e f g h i k l m n o p r	-----	-----	1	16574-ZE1-000	1427384
13	WASHER, CONTROL LEVER .....	a b c d e f g h i k l m n o p r	-----	-----	1	16575-ZE2-W00	3678679

# CONTROL (1)



ZK60E2200A

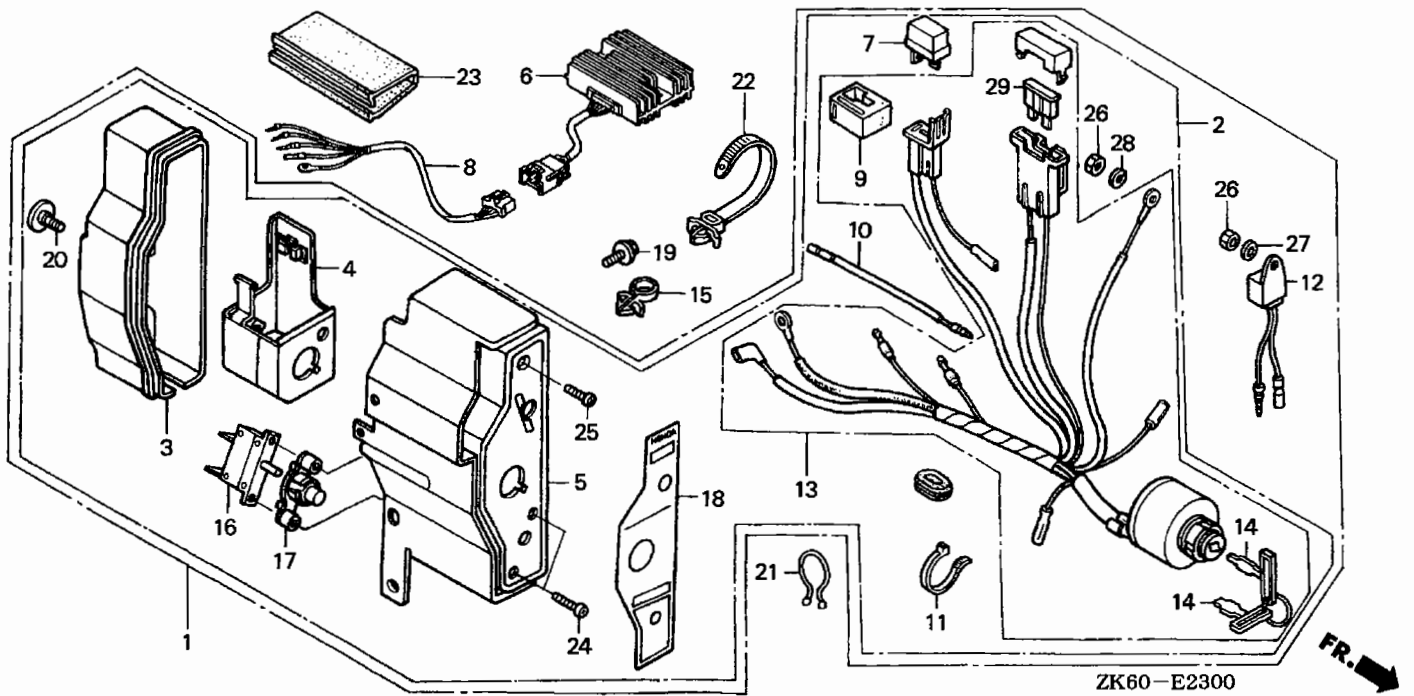
<b>MODEL</b>	<b>TYPE</b>	f=QXC	l=QSC2	r=QAW
B =GX390K1	a=VXP	g=VA2	m=QND	
	b=VXE2	h=QXC9	n=QNK	
	c=VXE	i=QNE9	o=QWA4	
	d=QA2	j=VPX5	p=QWC4	
	e=QAE2	k=VXP7	q=VAC2	

E-22

Ref	Description	Type	Engine Serial Number		QTY	Part Number	H/C
			From	To			
14	HOLDER, CABLE.....	d e f g h i l m n o p r	-----	-----	1	16576-891-000	0800466
15	SPACER, CONTROL LEVER.....	a b c d e f g h i k l m n o p r	-----	-----	1	16578-ZE1-000	1427400
16	BASE, CONTROL.....	a b c d e f g h i l m n o p r	-----	-----	1	16581-ZE3-W00	3713237
17	SPRING, CONTROL ADJUSTING.....	a b c d e f g h i j k l m n o p q r	-----	-----	1	16584-883-300	0636431
18	SPRING, CABLE RETURN.....	d e f g h i l m n o p r	-----	-----	1	16592-883-310	0743203
19	HOLDER, WIRE.....	n	-----	-----	1	16594-883-010	2686558
20	COLLAR, STOPPER.....	j k o p	-----	-----	(1)	16599-ZG1-M10	4755252
22	BOLT, FLANGE (6X12) (CT200).....	a b c d e f g h i j k l m n o p q r	-----	-----	2	90013-883-000	0636845
23	BOLT, GOVERNOR ARM.....	a b c d e f g h i j k l m n o p q r	-----	-----	1	90015-ZE5-010	2418671
24	SCREW, RECESSED (5X25).....	j k o p	-----	-----	(1)	90016-ZG9-N30	4755427
25	NUT, SELF-LOCK (6MM).....	a b c d e f g h i k l m n o p r	-----	-----	1	90114-SA0-000	1410182
26	CIRCLIP (5MM).....	n	-----	-----	1	90605-230-000	0138768
30	SCREW, PAN (4X6).....	n	-----	-----	1	93500-04006-0H	0285627
31	SCREW, PAN (5X16).....	d e f g h i l m n o p r	-----	-----	1	93500-05016-0A	0145557
32	SCREW, PAN (5X32).....	a b c d e f g h i k l m n o p r	-----	-----	1	93500-05032-0A	0219923
34	SCREW, PAN (5X45).....	j q	-----	-----	1	93500-05045-0A	0197715
35	NUT, FLANGE (6MM).....	a b c d e f g h i j k l m n o p q r	-----	-----	1	94050-06000	0471623



# CONTROL BOX (1)



ZK60-E2300

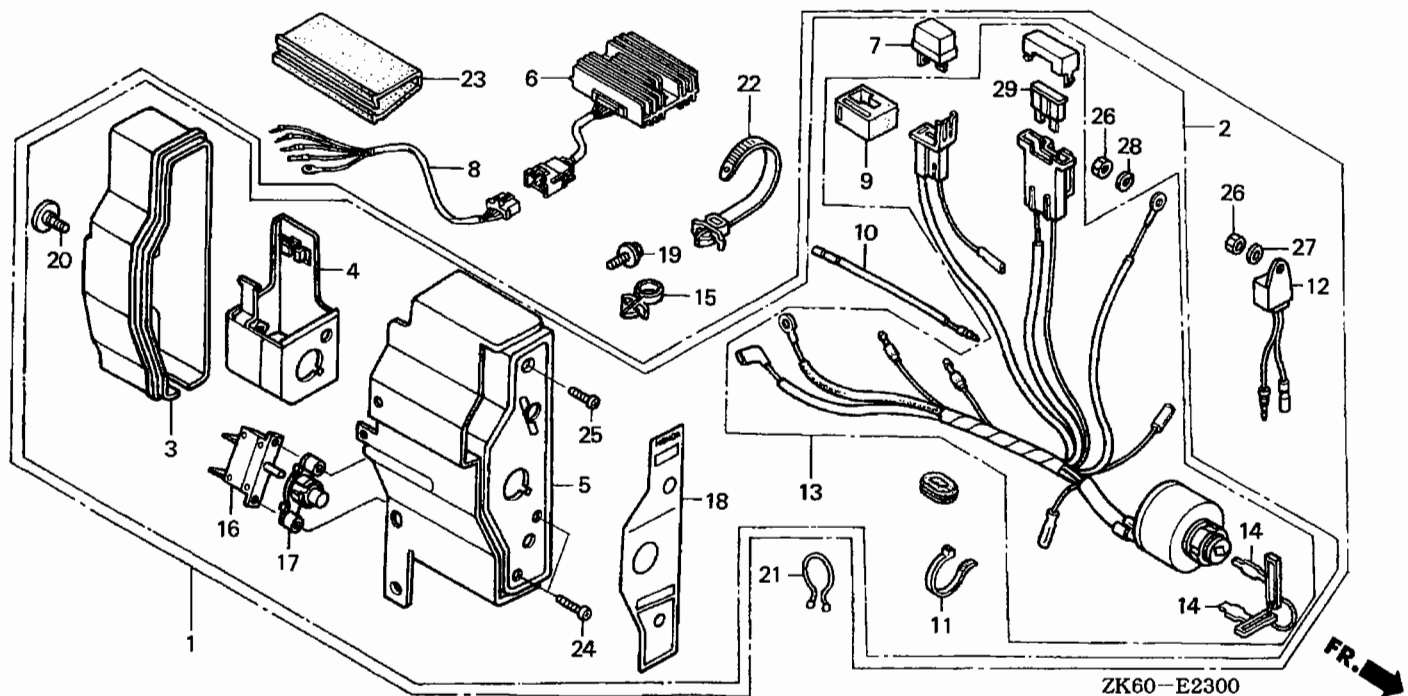
ZK60E2300

<b>MODEL</b>	<b>TYPE</b>	f=QXC	l=QSC2	r=QAW
B =GX390K1	a =VXP	g =VA2	m =QND	
	b =VXE2	h =QXC9	n =QNK	
	c =VXE	i =QNE9	o =QWA4	
	d =QA2	j =VPX5	p =QWC4	
	e =QAE2	k =VXP7	q =VAC2	

E-23

Ref	Description	Type	Engine Serial Number		QTY	Part Number	H/C
			From	To			
1	BOX ASSY., CONTROL *R8* (EXTERNAL-ALERT) (BRIGHT RED) ....	b c	-----	-----	1	31610-ZE3-W13ZB	5925946
	BOX ASSY., CONTROL *T39* (GEKO BLUE).....	c	-----	-----	1	31610-ZE3-W13ZC	6036446
	BOX ASSY., CONTROL *NH105* (EXTERNAL-ALERT) (MAT BLACK) .....	b c	-----	-----	1	31610-ZE3-W13ZD	6036453
	BOX ASSY., CONTROL (EXTERNAL-ALERT/3A) *R8* (BRIGHT RED).....	e	-----	-----	1	31610-ZE3-W23ZB	5902804
3	CASE, CONTROL .....	b c e	-----	-----	1	31612-ZE2-003	2095875
4	BRACKET, CASE MOUNTING .....	b c e	-----	-----	1	31614-ZE2-003	2095883
5	PANEL, CONTROL *R8* (BRIGHT RED) ..	b c e	-----	-----	1	31615-ZE3-003ZB	4070280
	PANEL, CONTROL *NH105* (MAT BLACK)	b	-----	-----	1	31615-ZE3-003ZD	4717476
7	RECTIFIER ASSY., SILICON (STANLEY)..	b c e	-----	-----	1	31700-124-003	0351346
9	SUSPENSION, CONNECTOR.....	b c e	-----	-----	1	32127-738-700	2026631
10	SUB-HARNESS .....	b c e	-----	-----	1	32197-ZE1-003	4331096
11	BAND .....	b c e	-----	-----	1	32902-892-003	0947457
12	ALERT UNIT, OIL.....	b c e	-----	-----	1	34150-ZH7-003	5858444
13	SWITCH ASSY., COMBINATION.....	b c	-----	-----	1	35100-ZE2-023	3682077

# CONTROL BOX (1)



ZK60-E2300

ZK60E2300

MODEL	TYPE	f=QXC	l=QSC2	r=QAW
B =GX390K1	a=VXP	g=VA2	m=QND	
	b=VXE2	h=QXC9	n=QNK	
	c=VXE	i=QNE9	o=QWA4	
	d=QA2	j=VPX5	p=QWC4	
	e=QAE2	k=VXP7	q=VAC2	

E-23

Ref	Description	Type	Engine Serial Number		QTY	Part Number	H/C
			From	To			
13	SWITCH ASSY., COMBINATION.....	e	-----	-----	1	35100-ZE2-842	3916335
14	KEY.....	b c e	-----	-----	2	35111-880-003	0485706
15	HOLDER, STOP SWITCH WIRE.....	b c e	-----	-----	1	36103-ZE1-000	1429141
16	PROTECTOR, CIRCUIT (1.0A).....	b c	-----	-----	1	38240-VA3-900	1751288
	PROTECTOR, CIRCUIT (3.5A).....	e	-----	-----	1	38240-ZE2-840	2652931
17	LENS ASSY., PROTECTOR.....	b c e	-----	-----	1	38250-ZA8-701	1888676
18	PANEL, CONTROL BOX (EXTERNAL).....	b c e	-----	3694104	1	87529-ZE2-811	4214185
	PANEL, CONTROL BOX (EXTERNAL).....	b c e	3694105	-----	1	87529-ZE2-812	7566581
19	BOLT, FLANGE (6X12) (CT200).....	b c e	-----	-----	2	90013-883-000	0636845
20	SCREW, SPECIAL (6X12).....	b c e	-----	-----	1	90380-MA6-010	1490648
21	CLIP, PURSE LOCK.....	b c e	-----	-----	1	90630-751-000	2159598
22	STRAP, CABLE (118MM) *NH1L* (BLACK)	b c e	-----	-----	1	90672-SA0-003	1170653
23	TUBE, FASTENER (30).....	b c e	-----	-----	1	91406-ZE2-003	2159762
24	SCREW, PAN (3X12).....	b c e	-----	-----	2	93500-03012-0H	0665521
25	SCREW, PAN (4X12).....	b c e	-----	-----	1	93500-04012-0H	0285643
26	NUT, HEX. (4MM).....	b c e	-----	-----	2	94001-04390-0S	0499707
27	WASHER, PLAIN (4MM).....	b c e	-----	-----	1	94101-04800	0331462
28	WASHER, SPRING (4MM).....	b c e	-----	-----	1	94111-04800	0346114

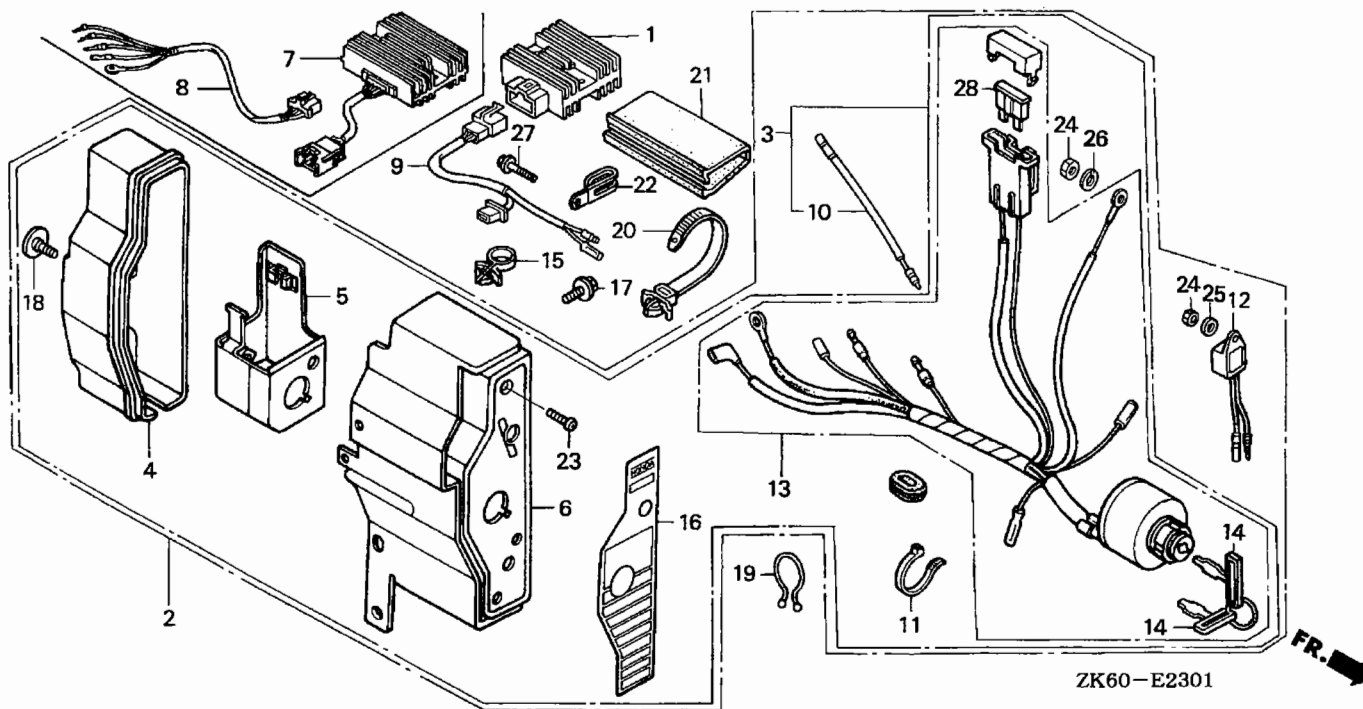
# CONTROL BOX (1)

<b>MODEL</b>	<b>TYPE</b>	f=QXC	l=QSC2	r=QAW
B =GX390K1	a =VXP	g =VA2	m =QND	
	b =VXE2	h =QXC9	n =QNK	
	c =VXE	i =QNE9	o =QWA4	
	d =QA2	j =VPX5	p =QWC4	
	e =QAE2	k =VXP7	q =VAC2	

E-23

Ref	Description	Type	Engine Serial Number		QTY	Part Number	H/C
			From	To			
29	FUSE, BLADE (5A).....	b c	-----	-----	1	98200-30500	1938737
	FUSE, BLADE (15A).....	e	-----	-----	1	98200-31500	1644244

# CONTROL BOX (2)



ZK60-E2301

ZK60E2301

<b>MODEL</b>	<b>TYPE</b>	f=QXC	l=QSC2	r=QAW
B =GX390K1	a =VXP	g =VA2	m =QND	
	b =VXE2	h =QXC9	n =QNK	
	c =VXE	i =QNE9	o =QWA4	
	d =QA2	j =VPX5	p =QWC4	
	e =QAE2	k =VXP7	q =VAC2	

E-23-1

Ref	Description	Type	Engine Serial Number		QTY	Part Number	H/C
			From	To			
1	RECTIFIER ASSY., REGULATOR.....	i	-----	-----	1	31600-ZE2-861	2534915
2	BOX ASSY., CONTROL (EXP-ALT,10A) *NH1* (BLACK) .....	i	-----	-----	1	31610-ZE3-W33ZA	6036461
	BOX ASSY., CONTROL (EXTERNAL-ALERT/10A) *R8* (BRIGHT RED).....	i	-----	-----	1	31610-ZE3-W33ZB	5962618
	BOX ASSY., CONTROL (ALERT,10A) *R280* (POWER RED).....	l	-----	-----	1	31610-ZE3-W33ZD	7441207
	BOX ASSY., CONTROL (EXP-ALT,18A) *R8* (BRIGHT RED).....	m	-----	-----	1	31610-ZE3-W42ZB	5960802
4	CASE, CONTROL .....	i l m	-----	-----	1	31612-ZE2-003	2095875
5	BRACKET, CASE MOUNTING .....	i l m	-----	-----	1	31614-ZE2-003	2095883
6	PANEL, CONTROL *NH1* (BLACK) .....	i	-----	-----	1	31615-ZE3-003ZA	4475489
	PANEL, CONTROL *R8* (BRIGHT RED) ..	i m	-----	-----	1	31615-ZE3-003ZB	4070280
	PANEL, CONTROL *R280* (POWER RED)	l	-----	-----	1	31615-ZE3-003ZE	7441215
9	SUB-WIRE HARNESS ASSY. ....	i l	-----	-----	1	32110-ZE2-860	2534931
10	SUB-HARNESS .....	i l m	-----	-----	1	32197-ZE1-003	4331096
11	BAND .....	i l m	-----	-----	1	32902-892-003	0947457
12	ALERT UNIT, OIL.....	i l m	-----	-----	1	34150-ZH7-003	5858444

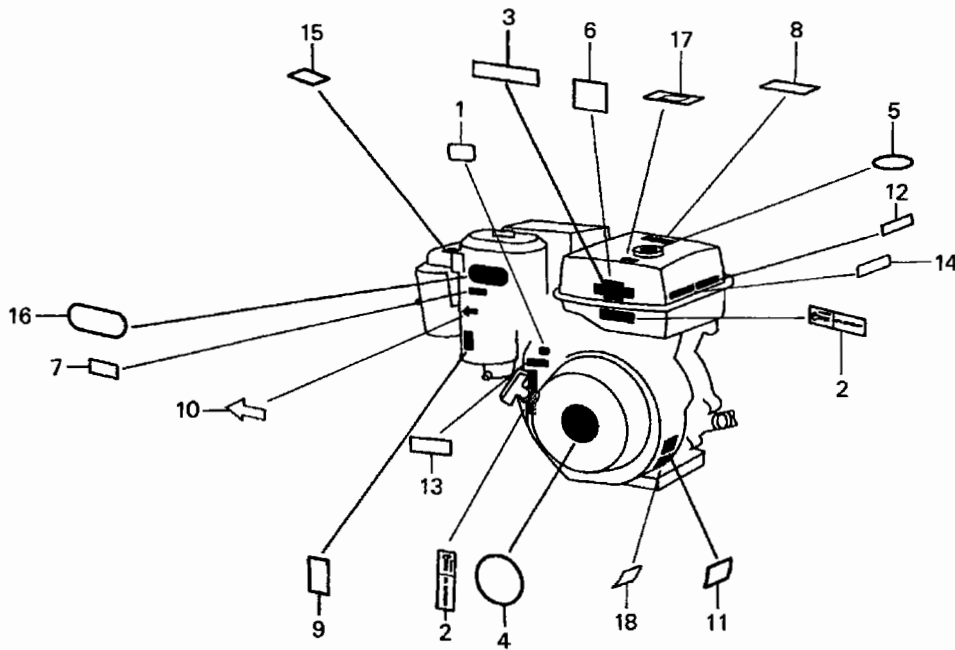
## CONTROL BOX (2)

<b>MODEL</b>	<b>TYPE</b>	f=QXC	l=QSC2	r=QAW
B =GX390K1	a =VXP	g =VA2	m =QND	
	b =VXE2	h =QXC9	n =QNK	
	c =VXE	i =QNE9	o =QWA4	
	d =QA2	j =VPX5	p =QWC4	
	e =QAE2	k =VXP7	q =VAC2	

E-23-1

Ref	Description	Type	Engine Serial Number		QTY	Part Number	H/C
			From	To			
13	SWITCH ASSY., COMBINATION (18A-CHARGE) .....	m	-----	-----	1	35100-ZE2-W01	4687901
	SWITCH ASSY., COMBINATION.....	i l	-----	-----	1	35100-ZE2-862	3713427
14	KEY.....	i l m	-----	-----	2	35111-880-003	0485706
15	HOLDER, STOP SWITCH WIRE .....	i l m	-----	-----	1	36103-ZE1-000	1429141
16	MARK, CONTROL BOX (EXTERNAL-REGULATOR).....	i l m	-----	3695986	1	87529-ZE2-860	4212486
	MARK, CONTROL BOX.....	i l m	3695987	-----	1	87529-ZE2-861	7558414
17	BOLT, FLANGE (6X12) (CT200) .....	i l m	-----	-----	2	90013-883-000	0636845
18	SCREW, SPECIAL (6X12) .....	i l m	-----	-----	1	90380-MA6-010	1490648
19	CLIP, PURSE LOCK.....	i l m	-----	-----	1	90630-751-000	2159598
20	STRAP, CABLE (118MM) *NH1L* (BLACK)	i l m	-----	-----	1	90672-SA0-003	1170653
21	TUBE, FASTENER (30) .....	i l m	-----	-----	1	91406-ZE2-003	2159762
23	SCREW, PAN (4X12) .....	i l m	-----	-----	1	93500-04012-0H	0285643
24	NUT, HEX. (4MM).....	i l m	-----	-----	2	94001-04390-0S	0499707
25	WASHER, PLAIN (4MM) .....	i l m	-----	-----	1	94101-04800	0331462
26	WASHER, SPRING (4MM).....	i l m	-----	-----	1	94111-04800	0346114
28	FUSE, BLADE (15A).....	i l	-----	-----	1	98200-31500	1644244
	FUSE, BLADE (25A).....	m	-----	-----	1	98200-32500	4210589

# LABEL (1)



ZK60-E2800

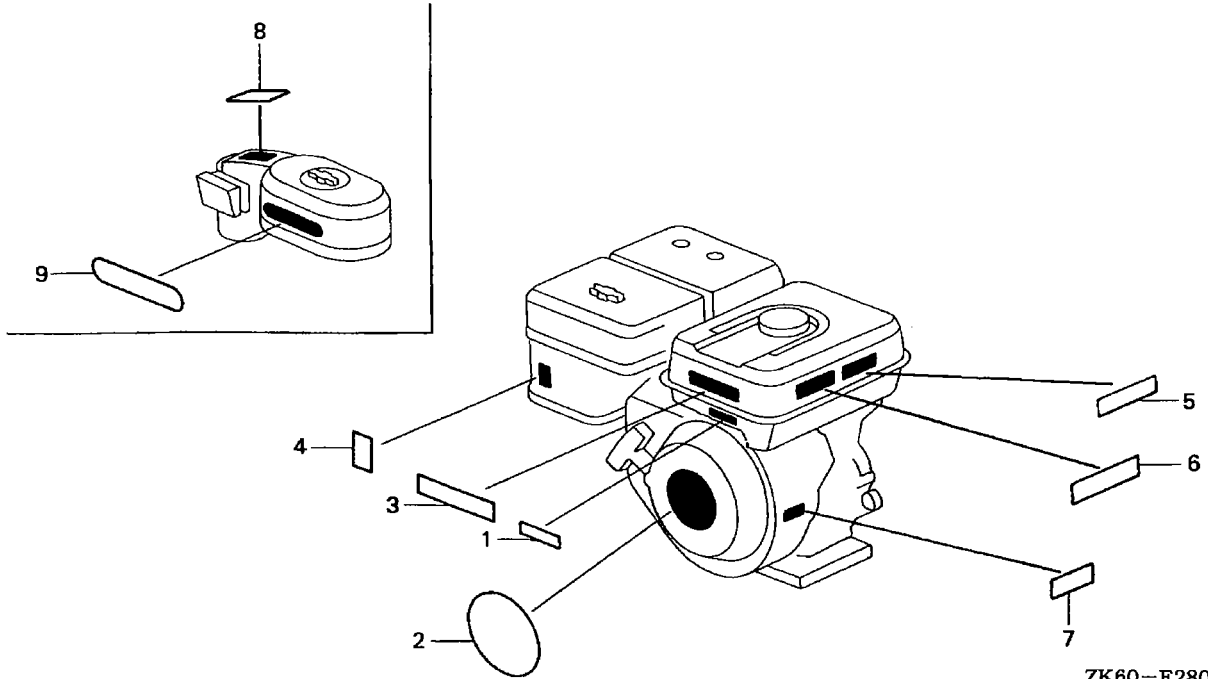
ZK60E2800

<b>MODEL</b>	<b>TYPE</b>	f=QXC	l=QSC2	r=QAW
B =GX390K1	a =VXP	g =VA2	m =QND	
	b =VXE2	h =QXC9	n =QNK	
	c =VXE	i =QNE9	o =QWA4	
	d =QA2	j =VPX5	p =QWC4	
	e =QAE2	k =VXP7	q =VAC2	

E-28

Ref	Description	Type	Engine Serial Number		QTY	Part Number	H/C
			From	To			
1	MARK, EMERGENCY SWITCH INDICATION.....	a	-----	-----	1	87124-ZV3-010	5153648
2	LABEL (E-SPEC) .....	a c f	-----	-----	1	87135-ZE2-020	7426174
4	EMBLEM.....	a b d e g h i q	-----	-----	1	87521-ZF6-W02	7005812
	EMBLEM.....	l	-----	-----	1	87521-ZF6-W03	7399066
9	MARK, CHOKE (WHITE) .....	o p	-----	-----	1	87528-ZF6-W40	4909289
10	MARK, CHOKE.....	a	-----	-----	1	87528-883-661	0761163
12	MARK, OIL ALERT (FRENCH).....	h i	-----	-----	1	87532-ZB4-H50	4425450
13	MARK, THROTTLE INDICATION.....	a o p	-----	-----	1	87532-ZH8-W40	4906921
15	LABEL, AIR CLEANER CAUTION .....	h l	-----	-----	1	87534-ZE1-841	2791044
16	MARK, AIR CLEANER SALES POINT .....	h	-----	-----	1	87535-ZE1-840	2574382
	MARK, AIR CLEANER SALES POINT .....	l	-----	-----	1	87535-ZE1-841	7324510

# LABEL (2)



ZK60-E2801

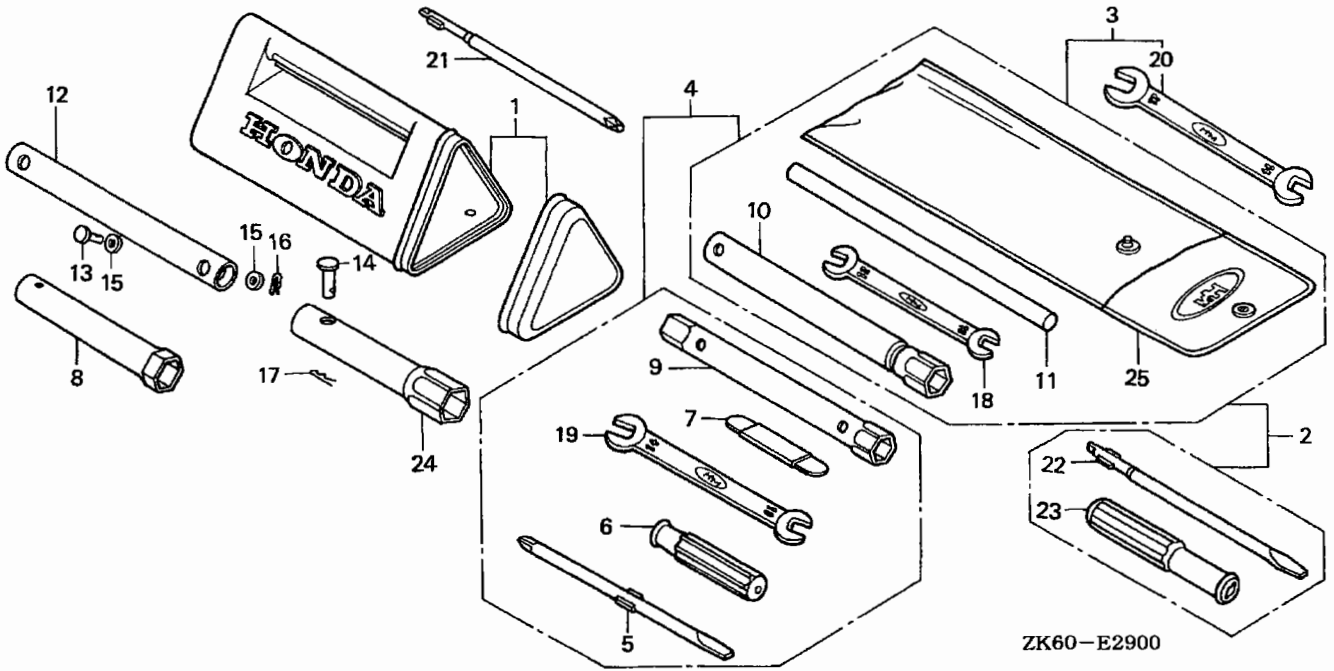
ZK60E2801

<b>MODEL</b>	<b>TYPE</b>	f=QXC	l=QSC2	r=QAW
B=GX390K1	a=VXP	g=VA2	m=QND	
	b=VXE2	h=QXC9	n=QNK	
	c=VXE	i=QNE9	o=QWA4	
	d=QA2	j=VPX5	p=QWC4	
	e=QAE2	k=VXP7	q=VAC2	

E-28-1

Ref	Description	Type	Engine Serial Number		QTY	Part Number	H/C
			From	To			
1	LABEL (E-SPEC) .....	c f	.....	.....	1	87135-ZE2-010	7118938
	LABEL (E-SPEC) .....	c f	.....	.....	1	87135-ZE2-020	7426174
2	EMBLEM.....	c f m n o p q r	.....	.....	1	87521-ZF6-W02	7005812
3	LABEL, CAUTION .....	c f m n r	.....	.....	1	87522-ZH9-010	7005820
4	MARK, CHOKE (EXTERNAL) .....	c f m n q r	.....	.....	1	87528-ZE2-810	2026979
5	MARK, OIL ALERT (FRENCH).....	c f	.....	.....	1	87532-ZB4-H50	4425450
6	MARK, OIL ALERT (E) .....	c f m r	.....	.....	1	87532-ZH8-810	4193355
8	LABEL, AIR CLEANER CAUTION .....	f o p	.....	.....	1	87534-ZE1-841	2791044
9	MARK, AIR CLEANER SALES POINT.....	f o p	.....	.....	1	87535-ZE1-840	2574382

# TOOL (1)



ZK60-E2900

ZK60E2900

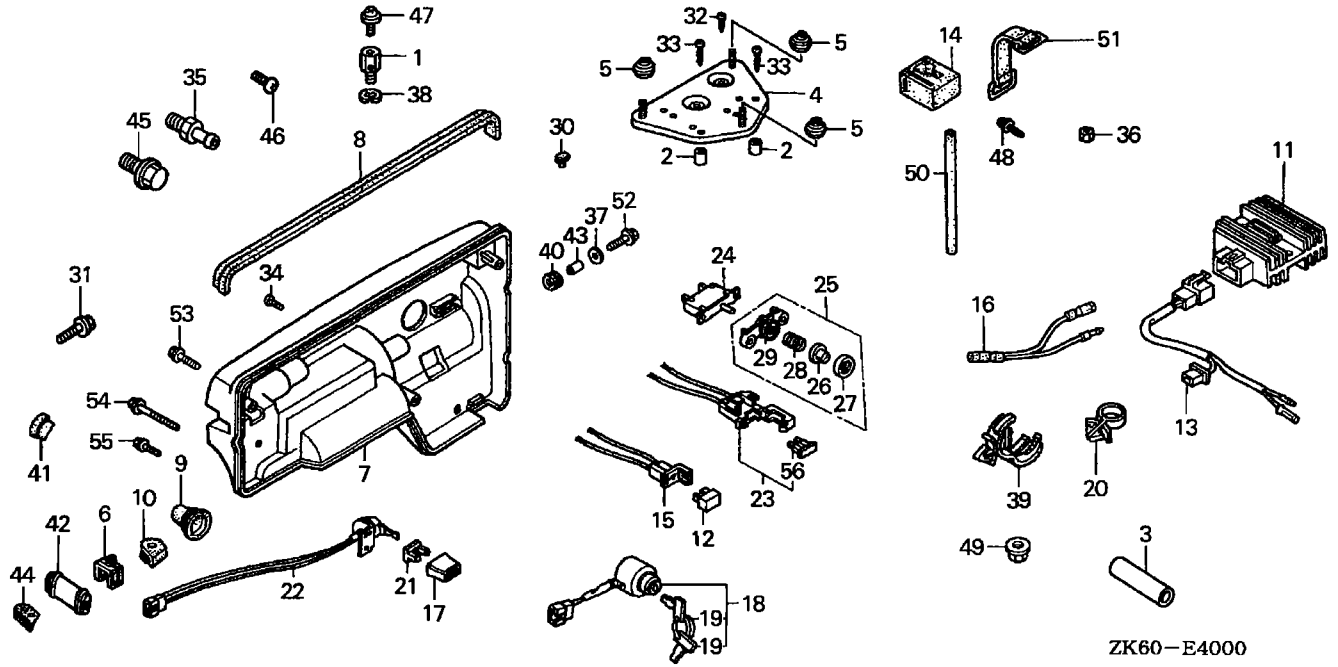
<b>MODEL</b>	<b>TYPE</b>	f=QXC	l=QSC2	r=QAW
B =GX390K1	a =VXP	g =VA2	m =QND	
	b =VXE2	h =QXC9	n =QNK	
	c =VXE	i =QNE9	o =QWA4	
	d =QA2	j =VPX5	p =QWC4	
	e =QAE2	k =VXP7	q =VAC2	

E-29

Ref	Description	Type	Engine Serial Number		QTY	Part Number	H/C
			From	To			
10	WRENCH, SPARK PLUG.....	d e g i n r	-----	-----	1	89218-ZE1-000	1431048
		m	-----	-----	(1)	89218-ZE1-000	1431048



# OTHER PARTS (CONTROL CASE)



ZK60-E4000

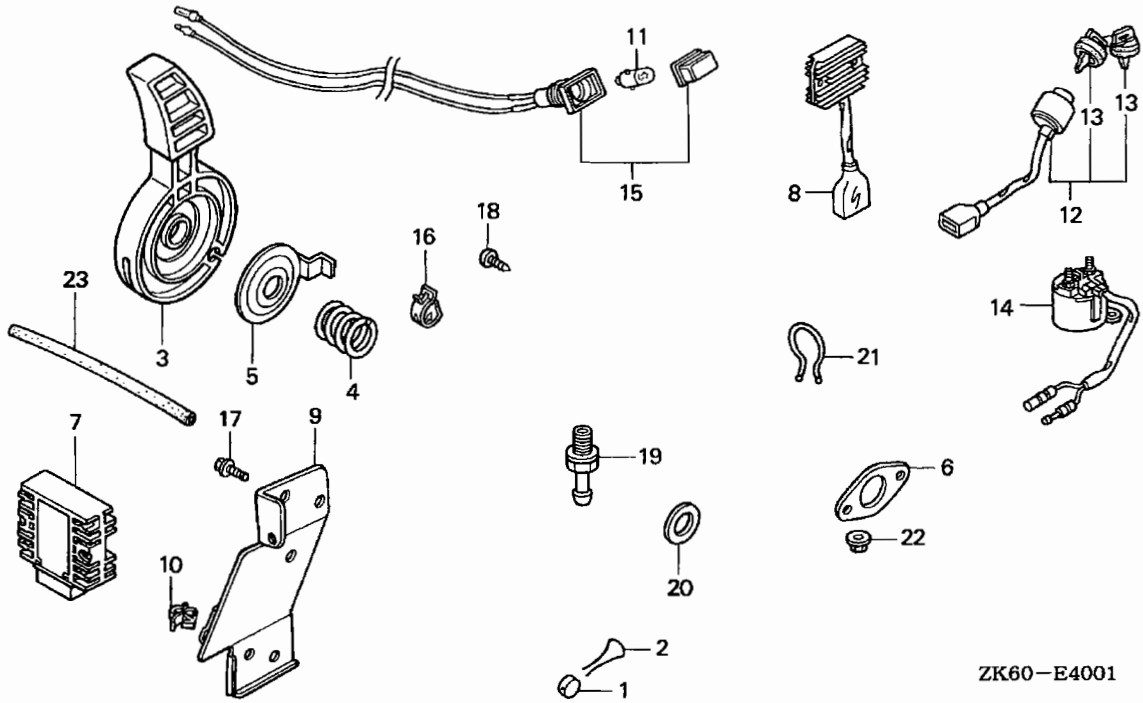
ZK60E4000

<b>MODEL</b>	<b>TYPE</b>	f=QXC	l=QSC2	r=QAW
B =GX390K1	a =VXP	g =VA2	m =QND	
	b =VXE2	h =QXC9	n =QNK	
	c =VXE	i =QNE9	o =QWA4	
	d =QA2	j =VPX5	p =QWC4	
	e =QAE2	k =VXP7	q =VAC2	

E-40

Ref	Description	Type	Engine Serial Number		QTY	Part Number	H/C
			From	To			
11	RECTIFIER ASSY., REGULATOR.....	n p	-----	-----	1	31600-ZE2-861	2534915
13	SUB-WIRE HARNESS ASSY. ....	n p	-----	-----	1	32110-ZE2-860	2534931
16	SUB-HARNESS .....	n	-----	-----	1	32197-ZH8-003	4193082
20	HOLDER, STOP SWITCH WIRE .....	n	-----	-----	1	36103-ZE1-000	1429141
39	CLIP, WIRE HARNESS .....	n	-----	-----	1	90684-ZA0-601	2539138

# OTHER PARTS (THROTTLE LEVER)



ZK60-E4001

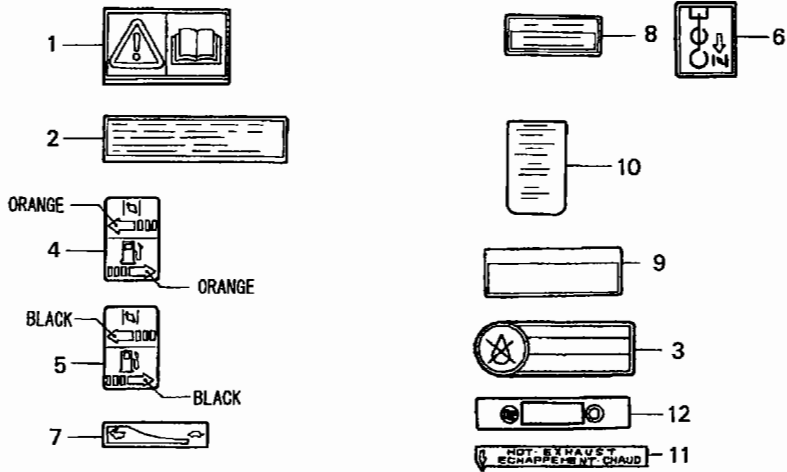
ZK60E4001

<b>MODEL</b> B =GX390K1	<b>TYPE</b> a =VXP b =VXE2 c =VXE d =QA2 e =QAE2	f =QXC g =VA2 h =QXC9 i =QNE9 j =VPX5 k =VXP7	l =QSC2 m =QND n =QNK o =QWA4 p =QWC4 q =VAC2	r =QAW
----------------------------	---	--	--	--------

E-40-1

Ref	Description	Type	Engine Serial Number		QTY	Part Number	H/C
			From	To			
6	GASKET, EX. PIPE .....	j k	3717050	-----	1	18333-ZF6-W01	6145361
22	NUT, FLANGE (8MM).....	j k	3717050	-----	2	94050-08000	0481143

# OTHER PARTS (LABEL)



ZK60-E4002

ZK60E4002

<b>MODEL</b>	<b>TYPE</b>	f=QXC	l=QSC2	r=QAW
B =GX390K1	a =VXP	g =VA2	m =QND	
	b =VXE2	h =QXC9	n =QNK	
	c =VXE	i =QNE9	o =QWA4	
	d =QA2	j =VPX5	p =QWC4	
	e =QAE2	k =VXP7	q =VAC2	

E-40-2

Ref	Description	Type	Engine Serial Number		QTY	Part Number	H/C
			From	To			
1	MARK, CAUTION .....	j k o p	-----	-----	1	87522-ZH8-W40	4906905
2	LABEL, CAUTION .....	a b c d e f g h i j k l m n o p r	-----	-----	1	87522-ZH9-010	7005820
4	MARK, CHOKE (EXTERNAL) .....	b c d e f g h i k l o p	-----	-----	1	87528-ZE2-810	2026979
5	MARK, CHOKE (WHITE) .....	k	-----	-----	1	87528-ZF6-W40	4909289
6	MARK, CHOKE.....	j	-----	-----	1	87528-898-620	1106640
7	MARK, THROTTLE INDICATION.....	k	-----	-----	1	87532-ZH8-W40	4906921
8	MARK, OIL ALERT (E).....	a b c d e f g h i j k l o p	-----	-----	1	87532-ZH8-810	4193355
9	MARK, AIR CLEANER .....	j	-----	-----	1	87533-ZC0-630	2065837

# GASKET KIT

<b>MODEL</b>	<b>TYPE</b>	f=QXC	l=QSC2	r=QAW
B =GX390K1	a =VXP	g =VA2	m =QND	
	b =VXE2	h =QXC9	n =QNK	
	c =VXE	i =QNE9	o =QWA4	
	d =QA2	j =VPX5	p =QWC4	
	e =QAE2	k =VXP7	q =VAC2	

EOP-1

Ref	Description	Type	Engine Serial Number		QTY	Part Number	H/C
			From	To			
1	GASKET KIT.....	a c f m	-----		1	06111-ZF6-R81	6440119

# **Part Number Index**

# PART NUMBER INDEX

Part Number	Grid	Page	Part Number	Grid	Page	Part Number	Grid	Page
(0)			14791-ZE2-010 .....	1-C5	1-10	16265-ZE2-721 .....	1-C8	1-17
			15510-ZE2-043 .....	1-C2	1-4	16268-ZE2-721 .....	1-C8	1-17
			15600-735-003 .....	1-C3	1-6	16269-ZA0-800 .....	1-C8	1-17
06111-ZF6-R81 .....	1-E6	1-44	15600-ZG4-003 .....	1-C3	1-6	16271-ZE2-010 .....	1-D1	1-19
			15625-ZE1-003 .....	1-C3	1-6		1-D2	1-20
(1)			15721-ZB4-000 .....	1-C1	1-2	16400-ZE2-703 .....	1-C8	1-17
			16010-ZA0-921 .....	1-C8	1-16	16510-ZE3-000 .....	1-C3	1-6
11300-ZE3-604 .....	1-C3	1-6	16010-ZE2-812 .....	1-C7	1-14	16511-ZE8-000 .....	1-C3	1-6
11381-ZE3-801 .....	1-C3	1-6	16011-ZA0-931 .....	1-C7	1-14	16512-ZE3-000 .....	1-C3	1-6
12000-ZF6-425 .....	1-C2	1-4		1-C8	1-16	16513-ZE2-000 .....	1-C3	1-6
12000-ZF6-W14 .....	1-C2	1-4	16013-ZA0-931 .....	1-C7	1-14	16531-Z0A-000 .....	1-C3	1-6
12000-ZF6-W34 .....	1-C2	1-4		1-C8	1-16	16541-ZE3-010 .....	1-C2	1-4
12200-ZF6-W01 .....	1-C1	1-2	16015-ZA0-931 .....	1-C8	1-16	16550-ZE3-700 .....	1-D7	1-31
12200-ZF6-W11 .....	1-C1	1-2	16015-ZE8-005 .....	1-C7	1-14	16551-ZE3-000 .....	1-D7	1-31
12204-ZE2-306 .....	1-C1	1-2	16016-ZH7-W01 .....	1-C7	1-14	16555-ZE3-000 .....	1-D7	1-31
12205-ZE2-305 .....	1-C1	1-2	16016-ZH8-W01 .....	1-C8	1-17	16555-ZE3-W00 .....	1-D7	1-31
12209-ZE8-003 .....	1-C4	1-9	16024-124-760 .....	1-C8	1-16	16561-ZE3-000 .....	1-D7	1-31
12216-ZE2-300 .....	1-C1	1-2	16024-ZE1-811 .....	1-C7	1-14	16561-ZE3-710 .....	1-D7	1-31
12251-ZF6-W00 .....	1-C1	1-2	16028-ZA0-701 .....	1-C8	1-16	16561-ZF6-T21 .....	1-D7	1-31
12310-ZE2-020 .....	1-C1	1-2	16028-ZE0-005 .....	1-C7	1-14	16561-ZF6-W31 .....	1-D7	1-31
12310-ZE3-791 .....	1-C1	1-2	16044-ZE3-W20 .....	1-C7	1-14	16562-ZE3-000 .....	1-D7	1-31
12315-ZE3-840 .....	1-C1	1-2	16044-ZF6-W61 .....	1-D1	1-18	16562-ZE3-700 .....	1-D7	1-31
12391-ZE2-020 .....	1-C1	1-2	16100-ZF6-V01 .....	1-C7	1-14	16570-ZE3-721 .....	1-D7	1-31
13010-ZF6-003 .....	1-C4	1-8	16100-ZF6-V21 .....	1-C7	1-14	16570-ZE3-W00 .....	1-D7	1-31
13011-ZF6-003 .....	1-C4	1-8	16100-ZF6-V51 .....	1-C7	1-14	16570-ZE3-W10 .....	1-D7	1-31
13012-ZF6-003 .....	1-C4	1-8	16100-ZF6-W51 .....	1-C7	1-14	16570-ZE3-W20 .....	1-D7	1-31
13012-ZF6-005 .....	1-C4	1-8	16100-ZF6-W61 .....	1-D1	1-18	16570-ZK3-870 .....	1-D7	1-31
13013-ZF6-003 .....	1-C4	1-8	16100-ZK6-U71 .....	1-C8	1-16	16571-ZE3-W00 .....	1-D7	1-31
13101-ZF6-W00 .....	1-C4	1-8	16124-ZE0-005 .....	1-C7	1-14	16574-ZE1-000 .....	1-D7	1-31
13102-ZF6-W00 .....	1-C4	1-8		1-C8	1-16	16575-ZE2-W00 .....	1-D7	1-31
13103-ZF6-W00 .....	1-C4	1-8		1-D1	1-18	16576-891-000 .....	1-C7	1-15
13104-ZF6-W00 .....	1-C4	1-8	16148-141-881 .....	1-C8	1-16		1-D8	1-32
13111-ZF6-W00 .....	1-C4	1-8	16166-ZF6-005 .....	1-C8	1-16	16578-ZE1-000 .....	1-D8	1-32
13200-ZE3-010 .....	1-C4	1-8	16166-ZF6-V00 .....	1-C7	1-14	16581-ZE3-W00 .....	1-D8	1-32
13200-ZE3-020 .....	1-C4	1-8	16166-ZF6-W10 .....	1-C7	1-14	16584-883-300 .....	1-D8	1-32
13200-ZE3-315 .....	1-C4	1-8	16166-ZF6-W50 .....	1-C7	1-14	16590-ZE2-812 .....	1-C7	1-15
13310-ZF6-W10 .....	1-C3	1-7	16172-ZE3-W10 .....	1-C7	1-14	16592-883-310 .....	1-D8	1-32
13310-ZF6-W40 .....	1-C3	1-7		1-C8	1-16	16594-883-010 .....	1-C7	1-15
13310-ZK6-670 .....	1-C3	1-7		1-D1	1-18		1-D8	1-32
13351-ZE3-010 .....	1-C3	1-7	16173-001-004 .....	1-C7	1-14	16599-ZG1-M10 .....	1-D8	1-32
14100-ZF6-W01 .....	1-C4	1-9	16211-ZF6-000 .....	1-C7	1-15	16610-ZE1-000 .....	1-C7	1-15
14100-ZK6-870 .....	1-C4	1-9		1-D1	1-18		1-D1	1-18
14410-ZE3-013 .....	1-C4	1-9	16211-ZF6-D40 .....	1-C8	1-16	16611-ZE2-711 .....	1-C8	1-17
14431-ZE2-010 .....	1-C4	1-9	16220-ZA0-702 .....	1-C7	1-15	16613-893-000 .....	1-C8	1-17
14441-ZE2-000 .....	1-C4	1-9		1-D1	1-18	16615-893-000 .....	1-C8	1-17
14451-ZE1-013 .....	1-C4	1-9	16221-ZF6-800 .....	1-C7	1-15	16615-ZE2-810 .....	1-C7	1-15
14568-ZE1-000 .....	1-C4	1-9		1-C8	1-16	16731-ZE2-003 .....	1-C6	1-13
14711-ZE3-000 .....	1-C4	1-9		1-D1	1-18	16854-ZE1-000 .....	1-D4	1-24
14711-ZE9-900 .....	1-C4	1-9	16223-ZE3-W00 .....	1-C7	1-15	16854-ZH8-000 .....	1-D4	1-24
14721-ZE3-000 .....	1-C4	1-9		1-C8	1-16	16910-GB2-005 .....	1-D4	1-24
14721-ZE9-900 .....	1-C4	1-9		1-D1	1-18	16953-ZE1-812 .....	1-C7	1-15
14751-ZE2-003 .....	1-C4	1-9	16260-ZE2-722 .....	1-C8	1-16	16954-ZE1-812 .....	1-C7	1-15
14771-ZE2-000 .....	1-C4	1-9	16261-ZE2-702 .....	1-C8	1-16	16955-ZE1-000 .....	1-D4	1-24
14773-ZE2-000 .....	1-C4	1-9	16262-ZE2-711 .....	1-C8	1-16	16956-ZE1-811 .....	1-C7	1-15
14775-ZE2-010 .....	1-C4	1-9	16263-ZA0-000 .....	1-C8	1-16	16957-ZE1-812 .....	1-C7	1-15
14781-ZE2-000 .....	1-C4	1-9	16264-ZE2-701 .....	1-C8	1-17	16967-ZE0-811 .....	1-C7	1-15

# PART NUMBER INDEX

Part Number	Grid	Page	Part Number	Grid	Page	Part Number	Grid	Page
17210-ZE3-505	1-D1	1-19	18437-ZF6-W40	1-D3	1-22	31215-ZE2-003	1-D6	1-29
	1-D2	1-20	18438-ZF6-W40	1-D3	1-22	31218-ZE3-003	1-D6	1-29
17211-899-000	1-D2	1-21	18466-ZH8-W40	1-D3	1-22	31219-ZE2-003	1-D6	1-29
17212-ZB4-003	1-D2	1-21	19511-ZE3-000	1-D5	1-26	31222-ZE3-791	1-D6	1-29
17218-ZE3-505	1-D1	1-19	19610-ZE3-010ZA	1-C6	1-13	31231-ZE2-003	1-D6	1-29
	1-D2	1-20	19610-ZE3-010ZB	1-C6	1-13	31232-ZE3-003	1-D6	1-29
17219-HA2-405	1-D2	1-20	19610-ZE3-010ZC	1-C6	1-13	31233-ZE2-003	1-D6	1-29
17219-KL4-000	1-D2	1-20	19610-ZE3-010ZG	1-C6	1-13	31511-ZE2-W00	1-D6	1-28
17220-ZB4-003	1-D2	1-21	19610-ZE3-010ZH	1-C6	1-13	31511-ZE3-000	1-D5	1-27
17222-ZC2-000	1-D2	1-21	19610-ZE3-010ZL	1-C6	1-13		1-D6	1-28
17230-ZE3-841	1-D2	1-20	19610-ZE3-W01ZA	1-C6	1-13	31512-ZE2-000	1-D5	1-27
17231-899-000	1-D2	1-21	19631-ZE3-W00	1-C6	1-13		1-D6	1-28
17231-ZE3-W01	1-D1	1-19				31600-ZE2-861	1-E2	1-36
17232-891-000	1-D1	1-19	(2)				1-E4	1-41
	1-D2	1-20				31610-ZE3-W13ZB	1-D8	1-33
17233-896-701	1-D3	1-22	28400-ZE3-W01ZA	1-C5	1-11	31610-ZE3-W13ZC	1-D8	1-33
17235-899-000	1-D2	1-21	28400-ZE3-W01ZB	1-C5	1-11	31610-ZE3-W13ZD	1-D8	1-33
17235-ZH9-N00	1-D1	1-19	28400-ZE3-W01ZC	1-C5	1-11	31610-ZE3-W23ZB	1-D8	1-33
17236-899-000	1-D2	1-21	28400-ZE3-W01ZD	1-C5	1-11	31610-ZE3-W33ZA	1-E2	1-36
17238-ZE2-310	1-D1	1-19	28400-ZE3-W01ZH	1-C5	1-11	31610-ZE3-W33ZB	1-E2	1-36
	1-D2	1-20	28400-ZE3-W01ZP	1-C5	1-11	31610-ZE3-W33ZD	1-E2	1-36
17239-ZE1-000	1-D1	1-19	28410-ZE3-W01ZA	1-C5	1-11	31610-ZE3-W42ZB	1-E2	1-36
17239-ZE3-840	1-D2	1-20	28410-ZE3-W01ZB	1-C5	1-11	31612-ZE2-003	1-D8	1-33
17252-899-000	1-D2	1-21	28410-ZE3-W01ZD	1-C5	1-11		1-E2	1-36
17316-611-000	1-C1	1-2	28410-ZE3-W01ZE	1-C5	1-11	31614-ZE2-003	1-D8	1-33
17367-413-690	1-D2	1-21	28410-ZE3-W01ZH	1-C5	1-11		1-E2	1-36
17410-ZE3-840	1-D2	1-20	28410-ZE3-W01ZP	1-C5	1-11	31615-ZE3-003ZA	1-E2	1-36
17410-ZH9-N00	1-D1	1-19	28421-ZE3-W01	1-C6	1-12	31615-ZE3-003ZB	1-D8	1-33
17470-ZE3-841	1-D2	1-20	28422-ZE2-W01	1-C6	1-12		1-E2	1-36
17470-ZE3-842	1-D2	1-20	28441-ZE2-W01	1-C6	1-12	31615-ZE3-003ZD	1-D8	1-33
17475-ZE3-841	1-D2	1-20	28442-ZE2-W01	1-C6	1-12	31615-ZE3-003ZE	1-E2	1-36
17476-ZE3-841	1-D2	1-20	28443-ZE2-W01	1-C6	1-12	31630-ZE1-003	1-D5	1-27
17510-ZE3-010ZA	1-D4	1-24	28444-ZE2-W01	1-C6	1-12	31630-ZE2-841	1-D5	1-27
17510-ZE3-010ZB	1-D4	1-24	28450-ZE3-W11	1-D5	1-26	31630-ZE2-861	1-D5	1-27
17510-ZE3-010ZD	1-D4	1-24	28451-ZE3-W01	1-D5	1-26		1-D6	1-28
17510-ZE3-010ZE	1-D4	1-24	28461-ZE2-W02	1-C6	1-12	31630-ZE2-W01	1-D6	1-28
17620-Z0T-814	1-D4	1-24	28462-ZE3-W01	1-C6	1-12	31700-124-003	1-D8	1-33
17620-ZH7-023	1-D4	1-24				32110-ZE2-860	1-E2	1-36
17631-Z0T-812	1-D4	1-24	(3)				1-E4	1-41
17631-ZH7-003	1-D4	1-24				32127-738-700	1-D8	1-33
17672-880-000	1-D4	1-24	30500-ZF6-W02	1-D5	1-27	32197-ZE1-003	1-D8	1-33
17672-ZE2-W01	1-D4	1-24		1-D6	1-28		1-E2	1-36
17673-893-000	1-D4	1-24	30700-ZE1-013	1-D5	1-27	32197-ZH8-003	1-E4	1-41
18310-ZE2-W61	1-D3	1-22		1-D6	1-28	32902-892-003	1-D8	1-33
18320-ZE2-W61	1-D3	1-22	31100-ZE3-701	1-D5	1-26		1-E2	1-36
18323-ZE3-W40	1-D3	1-22	31100-ZE3-722	1-D5	1-26	34150-ZH7-003	1-C2	1-4
18330-ZE2-W00	1-D3	1-22	31100-ZE3-U10	1-D5	1-26		1-D8	1-33
18331-ZE3-810	1-D3	1-22	31100-ZE3-W01	1-D5	1-26		1-E2	1-36
18333-ZF6-W01	1-D3	1-22	31100-ZE3-W21	1-D5	1-26	35100-ZE2-023	1-D8	1-33
	1-E5	1-42	31204-ZA0-003	1-D6	1-29	35100-ZE2-842	1-E1	1-34
18355-ZE2-W00	1-D3	1-22	31206-ZE3-003	1-D6	1-29	35100-ZE2-862	1-E2	1-37
18381-ZE2-800	1-D3	1-22	31207-ZE3-003	1-D6	1-29	35100-ZE2-W01	1-E2	1-37
18381-ZE2-W10	1-D3	1-22	31210-ZE3-013	1-D6	1-29	35111-880-003	1-E1	1-34
18433-ZF6-W40	1-D3	1-22	31211-ZE2-003	1-D6	1-29		1-E2	1-37
18434-ZF6-W40	1-D3	1-22	31212-ZE3-003	1-D6	1-29	36100-ZE1-015	1-C6	1-13
18436-ZH8-W40	1-D3	1-22	31213-ZE2-003	1-D6	1-29	36100-ZF6-P81	1-C6	1-13

# PART NUMBER INDEX

Part Number	Grid	Page	Part Number	Grid	Page	Part Number	Grid	Page
36100-ZH7-003 .....	1-C6	1-13	(9)			90672-SA0-003 .....	1-E1	1-34
36100-ZH7-W41 .....	1-C6	1-13					1-E2	1-37
36101-ZE2-701 .....	1-D5	1-27	90001-ZE8-000 .....	1-C4	1-8	90684-ZA0-601 .....	1-D5	1-27
	1-D6	1-28	90004-ZE2-W01 .....	1-C6	1-12		1-D6	1-28
36103-ZE1-000 .....	1-D5	1-27	90006-ZE2-000 .....	1-D3	1-23		1-E4	1-41
	1-E1	1-34	90007-ZE2-003 .....	1-D6	1-29	90701-HC4-000 .....	1-C3	1-6
	1-E2	1-37	90008-ZE2-003 .....	1-C6	1-12	90741-ZE2-000 .....	1-D5	1-26
	1-E4	1-41	90009-ZE2-003 .....	1-D1	1-19	90745-ZE2-600 .....	1-C3	1-7
36135-PH3-004 .....	1-D1	1-18		1-D2	1-20	90801-ZE2-003 .....	1-C2	1-4
36135-ZF6-D41 .....	1-C8	1-17	90012-888-000 .....	1-D5	1-27	90854-ZB3-000 .....	1-D4	1-24
38240-VA3-900 .....	1-E1	1-34		1-D6	1-28	91001-ZF6-003 .....	1-C3	1-7
38240-ZE2-840 .....	1-E1	1-34	90012-ZE0-010 .....	1-C5	1-10	91201-ZE3-004 .....	1-C2	1-4
38250-ZA8-701 .....	1-E1	1-34	90013-883-000 .....	1-C2	1-4		1-C3	1-6
				1-C6	1-13	91201-ZE9-003 .....	1-C2	1-4
(5)				1-D3	1-23	91203-952-771 .....	1-C2	1-4
50317-254-000 .....	1-C6	1-13		1-D5	1-27	91353-671-003 .....	1-C2	1-4
53149-964-003 .....	1-C8	1-17		1-D6	1-28		1-D4	1-24
				1-D8	1-32	91406-ZE2-003 .....	1-E1	1-34
(8)				1-E1	1-34		1-E2	1-37
81329-567-020 .....	1-C6	1-13	90014-ZE2-000 .....	1-C1	1-2	91601-ZE2-003 .....	1-D6	1-29
87124-ZV3-010 .....	1-E3	1-38	90014-ZE6-000 .....	1-D5	1-27	92900-08032-0E .....	1-C1	1-2
87135-ZE2-010 .....	1-E3	1-39	90015-883-000 .....	1-D5	1-27	93500-03006-0H .....	1-C7	1-15
87135-ZE2-020 .....	1-E3	1-38		1-D6	1-28	93500-03012-0H .....	1-E1	1-34
	1-E3	1-39	90015-ZE5-010 .....	1-D8	1-32	93500-04006-0H .....	1-C7	1-15
87521-ZF6-W02 .....	1-E3	1-38	90016-ZG9-N30 .....	1-D8	1-32		1-D8	1-32
	1-E3	1-39	90018-ZK6-P10 .....	1-C1	1-2	93500-04012-0H .....	1-E1	1-34
87521-ZF6-W03 .....	1-E3	1-38	90042-ZE3-700 .....	1-C1	1-3		1-E2	1-37
87522-ZH8-W40 .....	1-E5	1-43	90042-ZE8-000 .....	1-C1	1-3	93500-05012-0A .....	1-C8	1-17
87522-ZH9-010 .....	1-E3	1-39	90050-ZE1-000 .....	1-D3	1-23	93500-05016-0A .....	1-D8	1-32
	1-E5	1-43	90050-ZH8-W40 .....	1-D3	1-23	93500-05032-0A .....	1-D8	1-32
87528-883-661 .....	1-E3	1-38	90055-ZE1-000 .....	1-D3	1-23	93500-05045-0A .....	1-D8	1-32
87528-898-620 .....	1-E5	1-43	90110-ZE2-003 .....	1-D6	1-29	93891-05012-00 .....	1-D3	1-23
87528-ZE2-810 .....	1-E3	1-39	90114-SA0-000 .....	1-D8	1-32	93891-05012-0A .....	1-D3	1-23
	1-E5	1-43	90131-896-650 .....	1-C2	1-4	93891-06020-07 .....	1-D3	1-23
87528-ZF6-W40 .....	1-E3	1-38	90142-MB0-000 .....	1-D2	1-20	93892-05032-08 .....	1-D6	1-29
	1-E5	1-43	90201-ZE3-V00 .....	1-D5	1-26	93893-05016-00 .....	1-C7	1-15
87529-ZE2-811 .....	1-E1	1-34	90203-ZA0-800 .....	1-D1	1-19	94001-04390-0S .....	1-E1	1-34
87529-ZE2-812 .....	1-E1	1-34	90206-ZE1-000 .....	1-C5	1-10		1-E2	1-37
87529-ZE2-860 .....	1-E2	1-37	90302-KF9-900 .....	1-D3	1-23	94050-05000 .....	1-D2	1-21
87529-ZE2-861 .....	1-E2	1-37	90325-044-000 .....	1-D1	1-19	94050-06000 .....	1-C8	1-17
87532-ZB4-H50 .....	1-E3	1-38		1-D2	1-20		1-D1	1-19
	1-E3	1-39	90380-MA6-010 .....	1-E1	1-34		1-D2	1-20
87532-ZH8-810 .....	1-E3	1-39		1-E2	1-37		1-D2	1-21
	1-E5	1-43	90431-ZE2-700 .....	1-C8	1-17	94050-08000 .....	1-D8	1-32
87532-ZH8-W40 .....	1-E3	1-38	90432-ZE2-700 .....	1-C8	1-17		1-D3	1-23
	1-E5	1-43	90433-ZE2-700 .....	1-C8	1-17		1-D4	1-25
87533-ZC0-630 .....	1-E5	1-43	90434-ZE2-700 .....	1-C8	1-17		1-E5	1-42
87534-ZE1-841 .....	1-E3	1-38	90441-ZE2-010 .....	1-C1	1-3	94050-10000 .....	1-C2	1-4
	1-E3	1-39	90446-KE1-000 .....	1-C2	1-4	94070-06080 .....	1-D7	1-30
87535-ZE1-840 .....	1-E3	1-38	90601-ZE3-000 .....	1-C4	1-8	94101-04800 .....	1-E1	1-34
	1-E3	1-39	90602-ZE1-000 .....	1-C3	1-6		1-E2	1-37
87535-ZE1-841 .....	1-E3	1-38	90605-230-000 .....	1-C7	1-15	94101-06800 .....	1-C3	1-6
88911-MJ3-000 .....	1-C8	1-17		1-D8	1-32	94103-05000 .....	1-C8	1-17
89218-ZE1-000 .....	1-E4	1-40	90630-751-000 .....	1-E1	1-34	94103-05700 .....	1-D3	1-23
			90630-751-000 .....	1-E2	1-37	94109-12000 .....	1-C2	1-4
						94111-04800 .....	1-E1	1-34



## PART NUMBER INDEX

Part Number	Grid	Page	Part Number	Grid	Page	Part Number	Grid	Page
94111-04800 .....	1-E2	1-37						
94111-05000 .....	1-D3	1-23						
94251-10000 .....	1-C2	1-4						
94301-12200 .....	1-C1	1-3						
94305-20122 .....	1-C7	1-15						
	1-D1	1-18						
94540-02010 .....	1-C8	1-17						
94540-04010 .....	1-C8	1-17						
94540-07010 .....	1-C8	1-17						
95001-45003-60M .....	1-D4	1-25						
95002-02070 .....	1-C8	1-17						
95002-02080 .....	1-D4	1-24						
95005-11001-30M .....	1-C1	1-2						
95005-35008-10M .....	1-C8	1-17						
95701-06012-00 .....	1-C2	1-4						
95701-08025-00 .....	1-D4	1-25						
95701-08035-08 .....	1-D7	1-30						
95701-08040-00 .....	1-C3	1-6						
95701-10080-00 .....	1-C1	1-3						
96100-62020-00 .....	1-C2	1-5						
	1-C3	1-6						
96100-62070-00 .....	1-C3	1-6						
98079-55846 .....	1-C1	1-3						
98079-55855 .....	1-C1	1-3						
98079-56846 .....	1-C1	1-3						
98079-56855 .....	1-C1	1-3						
98200-30500 .....	1-E1	1-35						
98200-31500 .....	1-E1	1-35						
	1-E2	1-37						
98200-32500 .....	1-E2	1-37						
99101-ZH8-0880 .....	1-C7	1-15						
99101-ZH8-0900 .....	1-C7	1-15						
99101-ZH8-0920 .....	1-C7	1-15						
99101-ZH8-0950 .....	1-C7	1-15						
99101-ZH8-0980 .....	1-C7	1-15						
	1-C8	1-17						
99101-ZH8-1000 .....	1-C7	1-15						
	1-C8	1-17						
99101-ZH8-1020 .....	1-C8	1-17						
99104-ZE0-0450 .....	1-D1	1-18						
99204-ZA0-0450 .....	1-C7	1-15						
	1-C8	1-17						
99204-ZE0-0450 .....	1-C7	1-15						



# **Description Index**

# DESCRIPTION INDEX

Description	Grid	Page	Ref	Description	Grid	Page	Ref
<b>(A)</b>				BOX ASSY., CONTROL (EXP-ALT,10A) *NH1* (BLACK) .....	1-E2	1-36	2
ALERT UNIT, OIL .....	1-C2	1-4	6	BOX ASSY., CONTROL (EXP-ALT,18A) *R8* (BRIGHT RED) .....	1-E2	1-36	2
	1-D8	1-33	12	BOX ASSY., CONTROL (EXTERNAL-ALERT/10A) *R8* (BRIGHT RED) .....	1-E2	1-36	2
	1-E2	1-36	12	BOX ASSY., CONTROL (EXTERNAL-ALERT/3A) *R8* (BRIGHT RED) .....	1-D8	1-33	1
ARM, GOVERNOR .....	1-D7	1-31	1	BOX ASSY., CONTROL *NH105* (EXTERNAL-ALERT) (MAT BLACK) .....	1-D8	1-33	1
	1-D7	1-31	2	BOX ASSY., CONTROL *R8* (EXTERNAL-ALERT) (BRIGHT RED) .....	1-D8	1-33	1
ARM, VALVE ROCKER .....	1-C4	1-9	4	BOX ASSY., CONTROL *T39* (GEKO BLUE) .....	1-D8	1-33	1
ARMATURE .....	1-D6	1-29	2	BRACKET, CASE MOUNTING .....	1-D8	1-33	4
ARRESTER, SPARK .....	1-D3	1-22	9		1-E2	1-36	5
<b>(B)</b>				BRACKET, CENTER .....	1-D6	1-29	5
BAND .....	1-D8	1-33	11	BRACKET, FR. ....	1-D6	1-29	6
	1-E2	1-36	11	BRUSH .....	1-D6	1-29	8
BASE, CONTROL .....	1-D8	1-32	16	BULK HOSE, FUEL (4.5X3000) (4.5X180) .....	1-D4	1-25	31
BASE, MUFFLER COVER .....	1-D3	1-22	15	BULK HOSE, FUEL (4.5X3000) (4.5X235) .....	1-D4	1-25	32
BEARING, RADIAL BALL (6202) .....	1-C2	1-5	22	BULK HOSE, VACUUM (11X1000) (11X105) .....	1-C1	1-2	7
	1-C3	1-6	19	BULK HOSE, VACUUM (3.5X8000) (3.5X130) .....	1-C8	1-17	51
BEARING, RADIAL BALL (6207) .....	1-C3	1-6	20	BULK HOSE, VACUUM (3.5X8000) (3.5X75) .....	1-C8	1-17	50
BEARING, RADIAL BALL (6207S) .....	1-C3	1-7	13	BUSH, ARM PIVOT .....	1-C8	1-17	33
BOLT 2, STUD (8X32) .....	1-C1	1-2	13	<b>(C)</b>			
BOLT, CONNECTING ROD .....	1-C4	1-8	6	CAMSHAFT ASSY. ....	1-C4	1-9	2
BOLT, DRAIN PLUG .....	1-C2	1-4	10	CAP ASSY., NOISE SUPPRESSOR .....	1-D5	1-27	5
BOLT, FLANGE (10X80) .....	1-C1	1-3	19		1-D6	1-28	2
BOLT, FLANGE (6X10) .....	1-C6	1-12	12	CAP ASSY., OIL FILLER .....	1-C3	1-6	3
BOLT, FLANGE (6X12) .....	1-C2	1-4	21		1-C3	1-6	5
BOLT, FLANGE (6X12) (CT200) .....	1-C2	1-4	9	CAP, CHOKE LEVER DUST .....	1-C8	1-16	10
	1-C6	1-13	12	CAP, FUEL FILLER .....	1-D4	1-24	14
	1-D3	1-23	20		1-D4	1-24	15
	1-D5	1-27	17	CAP, MUFFLER .....	1-D3	1-22	6
	1-D6	1-28	14	CAP, PRE AIR CLEANER .....	1-D2	1-20	11
	1-D8	1-32	22	CARBURETOR ASSY. ....	1-D1	1-18	2
	1-E1	1-34	19	CARBURETOR ASSY. (BE85A B) .....	1-C7	1-14	10
	1-E2	1-37	17	CARBURETOR ASSY. (BE85B B) .....	1-C7	1-14	10
BOLT, FLANGE (6X28) .....	1-D5	1-27	20	CARBURETOR ASSY. (BE85C B) .....	1-C7	1-14	10
	1-D6	1-28	16	CARBURETOR ASSY. (BE85J A) .....	1-C7	1-14	10
BOLT, FLANGE (6X35) .....	1-D5	1-27	18	CARBURETOR ASSY. (BE87F A) .....	1-C8	1-16	8
BOLT, FLANGE (6X40) .....	1-D5	1-27	16	CASE, CONTROL .....	1-D8	1-33	3
	1-D5	1-27	18		1-E2	1-36	4
	1-D6	1-28	13	CASE, PRE AIR CLEANER .....	1-D2	1-20	10
BOLT, FLANGE (8X25) .....	1-D4	1-25	34	CASE, RECOIL STARTER *NH1* (BLACK) .....	1-C5	1-11	2
BOLT, FLANGE (8X35) .....	1-D7	1-30	20	CASE, RECOIL STARTER *NH105* (MAT BLACK) .....	1-C5	1-11	2
BOLT, FLANGE (8X40) .....	1-C3	1-6	18	CASE, RECOIL STARTER *R280* (POWER RED) .....	1-C5	1-11	2
BOLT, GOVERNOR ARM .....	1-D8	1-32	23	CASE, RECOIL STARTER *R8* (BRIGHT RED) .....	1-C5	1-11	2
BOLT, HEAD COVER .....	1-C1	1-2	14	CASE, RECOIL STARTER *T34* (SIMPSON BLUE) .....	1-C5	1-11	2
BOLT, PIVOT (8MM) .....	1-C5	1-10	16	CASE, RECOIL STARTER *T39* (GEKO BLUE) .....	1-C5	1-11	2
BOLT, STUD (8X106) .....	1-C1	1-3	15	CHAMBER SET, FLOAT .....	1-C7	1-14	4
BOLT, STUD (8X131.5) .....	1-C1	1-3	15		1-C8	1-16	4
BOLT, STUD (8X22) .....	1-C1	1-2	13	CHOKE SET .....	1-C7	1-14	9
BOLT-WASHER (5X14) .....	1-D6	1-29	17		1-D1	1-18	1
BOLT-WASHER (6X22) .....	1-D1	1-19	12				
	1-D2	1-20	13				
BOX ASSY., CONTROL (ALERT,10A) *R280* (POWER RED) .....	1-E2	1-36	2				

# DESCRIPTION INDEX

Description	Grid	Page	Ref	Description	Grid	Page	Ref
CIRCLIP (5MM) .....	1-C7	1-15	31	CRANKSHAFT .....	1-C3	1-7	5
	1-D8	1-32	26	CRANKSHAFT (Q-TYPE) .....	1-C3	1-7	2
CLAMP, WIRE .....	1-D5	1-27	10	CRANKSHAFT (V-TYPE) .....	1-C3	1-7	5
	1-D6	1-28	4	CUP, FUEL STRAINER .....	1-C7	1-15	30
	1-D6	1-28	5	CYLINDER ASSY. ....	1-C2	1-4	1
CLIP A, AIR CLEANER WIRE .....	1-D2	1-21	6	CYLINDER ASSY. (ALERT) .....	1-C2	1-4	1
CLIP B, AIR CLEANER WIRE .....	1-D2	1-21	7	CYLINDER ASSY. (SELF-STARTER) .....	1-C2	1-4	1
CLIP, BREATHER TUBE .....	1-C1	1-2	12	CYLINDER HEAD .....	1-C1	1-2	1
CLIP, GOVERNOR HOLDER .....	1-C3	1-6	14				
CLIP, PISTON PIN (20MM) .....	1-C4	1-8	7	<b>(D)</b>			
CLIP, PURSE LOCK .....	1-E1	1-34	21				
	1-E2	1-37	19	DIAPHRAGM ASSY. ....	1-C8	1-17	27
CLIP, TUBE .....	1-C6	1-13	1				
CLIP, TUBE (B7) .....	1-C8	1-17	48	<b>(E)</b>			
CLIP, TUBE (B8) .....	1-D4	1-24	24				
CLIP, VALVE GUIDE .....	1-C1	1-2	4	ELBOW, AIR CLEANER .....	1-D1	1-19	11
CLIP, WIRE HARNESS .....	1-D5	1-27	21		1-D2	1-20	9
	1-D6	1-28	17	ELEMENT, AIR CLEANER .....	1-D1	1-19	2
	1-E4	1-41	39		1-D2	1-20	2
CLUTCH, OVERRUNNING .....	1-D6	1-29	3		1-D2	1-21	1
COIL ASSY., CHARGE .....	1-D5	1-27	12	EMBLEM .....	1-E3	1-38	4
COIL ASSY., CHARGE (10A) .....	1-D5	1-27	13		1-E3	1-39	2
	1-D6	1-28	9	E-RING (2MM) .....	1-C8	1-17	44
COIL ASSY., CHARGE (12V-18A) .....	1-D6	1-28	8	E-RING (4MM) .....	1-C8	1-17	45
COIL ASSY., CHARGE (3A) .....	1-D5	1-27	12	E-RING (7MM) .....	1-C8	1-17	46
COIL ASSY., IGNITION .....	1-D5	1-27	2				
	1-D6	1-28	1	<b>(F)</b>			
COLLAR, AIR CLEANER .....	1-D1	1-19	9				
	1-D2	1-20	7	FAN, COOLING .....	1-D5	1-26	1
COLLAR, AIR CLEANER HOUSING .....	1-D3	1-22	1	FILTER, DRAIN TUBE .....	1-D2	1-21	9
COLLAR B, AIR CLEANER .....	1-D1	1-19	10	FILTER, FUEL .....	1-D4	1-24	3
	1-D2	1-20	8		1-D4	1-24	19
COLLAR, LEVER .....	1-C8	1-17	38		1-D4	1-24	20
COLLAR, SET .....	1-C7	1-14	13	FILTER (OUTER) .....	1-D1	1-19	3
	1-C8	1-16	12		1-D2	1-20	3
	1-D1	1-18	4	FLOAT SET .....	1-C7	1-14	3
COLLAR, STOPPER .....	1-D8	1-32	20		1-C8	1-16	3
CONTACTOR ASSY. ....	1-D6	1-29	1	FLYWHEEL .....	1-D5	1-26	7
CONTROL ASSY. ....	1-D7	1-31	7	FLYWHEEL (4 POLE) .....	1-D5	1-26	5
	1-D7	1-31	10		1-D5	1-26	6
CONTROL ASSY. (REMOTE) .....	1-D7	1-31	7	FLYWHEEL (SEL-18A) .....	1-D5	1-26	6
	1-D7	1-31	8	FLYWHEEL (SEL-LAMP) .....	1-D5	1-26	9
COVER, AIR CLEANER .....	1-D1	1-19	5	FUSE, BLADE (15A) .....	1-E1	1-35	29
	1-D2	1-21	5		1-E2	1-37	28
COVER, AIR CLEANER (CYCLONE) .....	1-D2	1-20	5	FUSE, BLADE (25A) .....	1-E2	1-37	28
COVER ASSY., CRANKCASE .....	1-C3	1-6	1	FUSE, BLADE (5A) .....	1-E1	1-35	29
COVER, FAN *NH1* (BLACK) .....	1-C6	1-13	3				
COVER, FAN *NH105* (MAT BLACK) .....	1-C6	1-13	3	<b>(G)</b>			
COVER, FAN *NH246* (LOOSY GRAY) .....	1-C6	1-13	3				
COVER, FAN *R280* (POWER RED) .....	1-C6	1-13	3	GASKET .....	1-D6	1-29	16
COVER, FAN *R8* (BRIGHT RED) .....	1-C6	1-13	3	GASKET, AIR CLEANER .....	1-C8	1-17	26
COVER, FAN *T34* (SIMPSON BLUE) .....	1-C6	1-13	3	GASKET, CARBURETOR .....	1-C7	1-15	18
COVER, HEAD .....	1-C1	1-2	6		1-C8	1-16	16
COVER, MUFFLER .....	1-D3	1-22	13		1-D1	1-18	7
COVER, RR. MUFFLER .....	1-D3	1-22	14	GASKET, CASE COVER .....	1-C3	1-6	2
				GASKET, CYLINDER HEAD .....	1-C1	1-2	5

# DESCRIPTION INDEX

Description	Grid	Page	Ref	Description	Grid	Page	Ref
GASKET, CYLINDER HEAD COVER	1-C1	1-2	8	<b>(J)</b>			
GASKET, ELBOW	1-D1	1-19	1	JET, MAIN (#100)	1-C7	1-15	38
	1-D2	1-20	1		1-C8	1-17	52
GASKET, EX. PIPE	1-D3	1-22	8	JET, MAIN (#102)	1-C8	1-17	52
	1-E5	1-42	6	JET, MAIN (#88)	1-C7	1-15	38
GASKET, FUEL FILLER CAP	1-D4	1-24	17	JET, MAIN (#90)	1-C7	1-15	38
	1-D4	1-24	18	JET, MAIN (#92)	1-C7	1-15	38
GASKET, FUEL STRAINER CUP	1-C7	1-14	14	JET, MAIN (#95)	1-C7	1-15	38
GASKET, INSULATOR	1-C7	1-15	19	JET, MAIN (#98)	1-C7	1-15	38
	1-C8	1-16	17		1-C8	1-17	52
	1-D1	1-18	8	JET, PILOT (#45)	1-D1	1-18	12
GASKET KIT	1-E6	1-44	1	JET SET, PILOT (#45)	1-C7	1-15	39
GASKET, MUFFLER	1-D3	1-22	11		1-C8	1-17	53
GASKET, MUFFLER (ARRESTER)	1-D3	1-22	10	JOINT, FUEL TANK	1-D4	1-24	6
GASKET, OIL FILLER CAP	1-C3	1-6	7	JOINT, ROD	1-C8	1-16	22
GASKET SET	1-C7	1-14	1	<b>(K)</b>			
	1-C8	1-16	1	KEY	1-E1	1-34	14
GASKET, VALVE	1-C7	1-15	29		1-E2	1-37	14
GEAR, DRIVE PINION	1-D6	1-29	7	KEY (6.3X6.3X43)	1-C3	1-7	12
GEAR, REDUCTION	1-D6	1-29	11	KEY, SPECIAL WOODRUFF (25X18)	1-D5	1-26	12
GOVERNOR ASSY.	1-C3	1-6	8	<b>(L)</b>			
GRIP, STARTER	1-C6	1-12	9	LABEL, AIR CLEANER CAUTION	1-E3	1-38	15
GROMMET, AIR CLEANER	1-D1	1-19	6		1-E3	1-39	8
	1-D2	1-20	6	LABEL, CAUTION	1-E3	1-39	3
GROMMET, CHOKE ROD	1-C8	1-17	29		1-E5	1-43	2
GROMMET, DRAIN HOLE	1-C6	1-13	10	LABEL (E-SPEC)	1-E3	1-38	2
GROMMET, FENDER	1-C8	1-17	34		1-E3	1-39	1
GROMMET, WIRE	1-D5	1-27	11	LENS ASSY., PROTECTOR	1-E1	1-34	17
	1-D6	1-28	6	LEVER, CHOKE	1-C8	1-16	21
GUIDE, CHOKE ROD	1-C8	1-17	30	LEVER, CHOKE (STD)	1-C7	1-15	24
GUIDE, EX. VALVE (OS)	1-C1	1-2	3		1-D1	1-18	9
GUIDE, PRE AIR CLEANER	1-D2	1-20	12	LEVER, CONTROL	1-D7	1-31	11
GUIDE, VALVE (OS)	1-C1	1-2	2	LEVER, VALVE	1-C7	1-15	26
<b>(H)</b>				LIFTER, VALVE	1-C4	1-9	5
HOLDER, BRUSH	1-D6	1-29	12	<b>(M)</b>			
HOLDER, CABLE	1-C7	1-15	20	MARK, AIR CLEANER	1-E5	1-43	9
	1-D8	1-32	14	MARK, AIR CLEANER SALES POINT	1-E3	1-38	16
HOLDER, FUEL FILTER	1-D4	1-24	21		1-E3	1-39	9
HOLDER, GOVERNOR WEIGHT	1-C3	1-6	10	MARK, CAUTION	1-E5	1-43	1
HOLDER, STOP SWITCH WIRE	1-D5	1-27	15	MARK, CHOKE	1-E3	1-38	10
	1-E1	1-34	15		1-E5	1-43	6
	1-E2	1-37	15	MARK, CHOKE (EXTERNAL)	1-E3	1-39	4
	1-E4	1-41	20		1-E5	1-43	4
HOLDER, WIRE	1-C7	1-15	23	MARK, CHOKE (WHITE)	1-E3	1-38	9
	1-D8	1-32	19		1-E5	1-43	5
HOUSING, AIR CLEANER	1-D2	1-21	3	MARK, CONTROL BOX	1-E2	1-37	16
<b>(I)</b>				MARK, CONTROL BOX (EXTERNAL-REGULATOR)	1-E2	1-37	16
INSULATOR	1-D6	1-29	14	MARK, EMERGENCY SWITCH INDICATION	1-E3	1-38	1
INSULATOR, CARBURETOR	1-C7	1-15	16				
	1-C8	1-16	14				
	1-D1	1-18	5				

# DESCRIPTION INDEX

Description	Grid	Page	Ref	Description	Grid	Page	Ref
MARK, OIL ALERT (E) .....	1-E3	1-39	6	PIPE, EX. ....	1-D3	1-22	5
	1-E5	1-43	8	PISTON (0.75) .....	1-C4	1-8	2
MARK, OIL ALERT (FRENCH) .....	1-E3	1-38	12	PISTON (OS 0.25) .....	1-C4	1-8	2
	1-E3	1-39	5	PISTON (OS 0.50) .....	1-C4	1-8	2
MARK, THROTTLE INDICATION .....	1-E3	1-38	13	PISTON (STD) .....	1-C4	1-8	2
	1-E5	1-43	7	PIVOT, ROCKER ARM .....	1-C4	1-9	6
MOTOR UNIT, STARTER .....	1-D6	1-29	4	PLATE, LEVER SETTING .....	1-C7	1-15	27
MUFFLER (100DB) .....	1-D3	1-22	2	PLATE, PUSH ROD GUIDE .....	1-C5	1-10	15
				PLATE, SET .....	1-D3	1-22	17
<b>(N)</b>				PLUG .....	1-C6	1-13	10
NOSE, MUFFLER .....	1-D1	1-19	8	PLUG, SEALING .....	1-C2	1-4	12
NOZZLE, MAIN .....	1-C7	1-14	12	PROTECTOR, CIRCUIT (1.0A) .....	1-E1	1-34	16
	1-C8	1-16	11	PROTECTOR, CIRCUIT (3.5A) .....	1-E1	1-34	16
NUT, FLANGE (10MM) .....	1-C2	1-4	18	PROTECTOR, EX. PIPE .....	1-D3	1-22	4
NUT, FLANGE (5MM) .....	1-D2	1-21	10	PROTECTOR, MUFFLER .....	1-D3	1-22	3
NUT, FLANGE (6MM) .....	1-C8	1-17	42	PULLEY, RECOIL STARTER .....	1-C6	1-12	3
	1-D1	1-19	15	PULLEY, STARTER .....	1-D5	1-26	4
	1-D2	1-20	16	PULLEY, STARTER (SCREEN GRID) .....	1-D5	1-26	3
	1-D2	1-21	11				
	1-D8	1-32	35	<b>(R)</b>			
NUT, FLANGE (8MM) .....	1-D3	1-23	29	RATCHET, STARTER .....	1-C6	1-12	4
	1-D4	1-25	29	RECTIFIER ASSY., REGULATOR .....	1-E2	1-36	1
	1-E5	1-42	22		1-E4	1-41	11
NUT, HEX. (4MM) .....	1-E1	1-34	26	RECTIFIER ASSY., SILICON (STANLEY) .....	1-D8	1-33	7
	1-E2	1-37	24	RETAINER, EX. VALVE SPRING .....	1-C4	1-9	12
NUT, HEX. (5MM) .....	1-D3	1-23	26	RETAINER, IN. VALVE SPRING .....	1-C4	1-9	11
NUT, PIVOT ADJ. ....	1-C5	1-10	17		1-C4	1-9	12
NUT, SELF-LOCK (6MM) .....	1-D8	1-32	25	RETAINER, SPRING .....	1-C6	1-12	8
NUT, SPECIAL (16MM) (1) .....	1-D5	1-26	11	RING SET, PISTON (0.75) (NIPPON) .....	1-C4	1-8	1
NUT-WASHER (6MM) .....	1-D7	1-30	19	RING SET, PISTON (OS 0.25) .....	1-C4	1-8	1
				RING SET, PISTON (OS 0.50) .....	1-C4	1-8	1
<b>(O)</b>				RING SET, PISTON (STD) .....	1-C4	1-8	1
OIL SEAL (35X52X8) .....	1-C2	1-4	13	ROD ASSY., CONNECTING (STD) .....	1-C4	1-8	4
	1-C3	1-6	16	ROD ASSY., CONNECTING (US 0.25) .....	1-C4	1-8	4
OIL SEAL (8X14X5) .....	1-C2	1-4	14	ROD, CHOKE .....	1-C8	1-17	23
O-RING (13.5X1.5) (ARAI) .....	1-C2	1-4	15	ROD, CHOKE CONTROL .....	1-C8	1-17	28
	1-D4	1-24	27	ROD, GOVERNOR .....	1-D7	1-31	3
				ROD, GOVERNOR (STD) .....	1-D7	1-31	3
<b>(P)</b>				ROD, PUSH .....	1-C4	1-9	3
PANEL, CONTROL BOX (EXTERNAL) .....	1-E1	1-34	18	ROPE, RECOIL STARTER (#6X64") .....	1-C6	1-12	10
PANEL, CONTROL *NH1* (BLACK) .....	1-E2	1-36	6	ROTATOR, VALVE .....	1-C4	1-9	14
PANEL, CONTROL *NH105* (MAT BLACK) .....	1-D8	1-33	5	RUBBER, FUEL .....	1-D4	1-24	26
PANEL, CONTROL *R280* (POWER RED) .....	1-E2	1-36	6	RUBBER, SUPPORTER .....	1-D4	1-24	2
PANEL, CONTROL *R8* (BRIGHT RED) .....	1-D8	1-33	5	RUBBER, SUPPORTER (107MM) .....	1-D4	1-24	2
	1-E2	1-36	6				
PIN A, DOWEL (12X20) .....	1-C1	1-3	18	<b>(S)</b>			
PIN, DOWEL (8X12) .....	1-C3	1-6	15	SCREW, CENTER .....	1-C6	1-12	11
PIN, GOVERNOR WEIGHT .....	1-C3	1-6	11	SCREW, PAN (3X12) .....	1-E1	1-34	24
PIN, LOCK (10MM) .....	1-C2	1-4	20	SCREW, PAN (3X6) .....	1-C7	1-15	32
PIN, PISTON .....	1-C4	1-8	3	SCREW, PAN (4X12) .....	1-E1	1-34	25
PIN, SPRING (2X12) .....	1-C7	1-15	35		1-E2	1-37	23
	1-D1	1-18	11	SCREW, PAN (4X6) .....	1-C7	1-15	33
					1-D8	1-32	30
				SCREW, PAN (5X12) .....	1-C8	1-17	40

# DESCRIPTION INDEX

Description	Grid	Page	Ref	Description	Grid	Page	Ref
SCREW, PAN (5X16)	1-D8	1-32	31	SPRING, VALVE	1-C4	1-9	10
SCREW, PAN (5X16.5)	1-D2	1-20	14	SPRING, VALVE LEVER	1-C7	1-15	28
SCREW, PAN (5X32)	1-D8	1-32	32	SPRING, WEIGHT RETURN	1-C4	1-9	7
SCREW, PAN (5X45)	1-D8	1-32	34	STARTER ASSY., RECOIL	1-C5	1-11	1
SCREW, RECESSED (5X25)	1-D8	1-32	24	STARTER ASSY., RECOIL *NH1* (BLACK)	1-C5	1-11	1
SCREW SET	1-C7	1-14	6	STARTER ASSY., RECOIL *NH105* (MAT BLACK)	1-C5	1-11	1
	1-C8	1-16	7	STARTER ASSY., RECOIL *R280* (POWER RED)	1-C5	1-11	1
	1-C8	1-17	54	STARTER ASSY., RECOIL *R8* (BRIGHT RED)	1-C5	1-11	1
SCREW SET B	1-C7	1-14	8	STAY, AIR CLEANER	1-D2	1-21	4
SCREW SET, DRAIN	1-C7	1-14	7	STAY ASSY., CHOKE CONTROL (REMOTE)	1-C7	1-15	21
	1-C8	1-16	6	STAY ASSY., MANUAL CHOKE	1-C8	1-16	19
SCREW, SPECIAL (6X12)	1-E1	1-34	20	STAY, MUFFLER COVER	1-D3	1-22	16
	1-E2	1-37	18	STAY, SOLENOID	1-C8	1-16	20
SCREW, TAPPING (4X6)	1-D3	1-23	25	STOPPER, CHOKE ROD	1-C8	1-17	24
SCREW, TAPPING (5X25)	1-D3	1-23	24	STRAP, CABLE (118MM) *NH1L* (BLACK)	1-E1	1-34	22
SCREW, TAPPING (5X8)	1-D3	1-23	21		1-E2	1-37	20
	1-D3	1-23	22	SUB-HARNESS	1-D8	1-33	10
	1-D3	1-23	23		1-E2	1-36	10
SCREW, TAPPING (6X10)	1-D3	1-23	19		1-E4	1-41	16
SCREW, THROTTLE STOP	1-C7	1-14	11	SUB-WIRE HARNESS ASSY.	1-E2	1-36	9
	1-C8	1-16	9		1-E4	1-41	13
	1-D1	1-18	3	SUSPENSION, CONNECTOR	1-D8	1-33	9
SCREW-WASHER (4X6)	1-D6	1-29	15	SWITCH ASSY., COMBINATION	1-D8	1-33	13
SCREW-WASHER (5X12)	1-D3	1-23	27		1-E1	1-34	13
SCREW-WASHER (5X16)	1-C7	1-15	34		1-E2	1-37	13
SCREW-WASHER (5X3)	1-D6	1-29	18	SWITCH ASSY., COMBINATION (18A-CHARGE)	1-E2	1-37	13
SCREW-WASHER (6X20)	1-D3	1-23	28	SWITCH ASSY., ENGINE STOP	1-C6	1-13	9
SEAL, AIR CLEANER	1-D2	1-21	8	SWITCH ASSY., OIL LEVEL	1-C2	1-4	2
SEAL, AIR CLEANER COVER	1-D2	1-20	4				
SEAL, CHOKE LEVER	1-C8	1-17	36	<b>(T)</b>			
SEAL, VALVE STEM	1-C4	1-9	1	TANK, FUEL *NH1* (BLACK)	1-D4	1-24	12
SEAT, VALVE SPRING	1-C4	1-9	13	TANK, FUEL *NH105* (MAT BLACK)	1-D4	1-24	12
SEPARATOR, AIR CLEANER	1-D2	1-21	2	TANK, FUEL *NH31* (MCKINLEY WHITE)	1-D4	1-24	12
SHAFT, GOVERNOR ARM	1-C2	1-4	4	TANK, FUEL *T34* (SIMPSON BLUE)	1-D4	1-24	12
SHROUD	1-C6	1-13	6	TUBE, BREATHER	1-C1	1-2	7
SLIDER, GOVERNOR	1-C3	1-6	12	TUBE, FASTENER (30)	1-E1	1-34	23
SPACER, CARBURETOR	1-C7	1-15	17		1-E2	1-37	21
	1-D1	1-18	6	<b>(V)</b>			
SPACER, CONTROL LEVER	1-D8	1-32	15	VALVE, DASHPOT CHECK	1-C8	1-17	31
SPACER, MUFFLER COVER	1-D3	1-22	18		1-D1	1-18	10
SPARK PLUG (BPR5ES) (NGK)	1-C1	1-3	20	VALVE, EX.	1-C4	1-9	9
SPARK PLUG (BPR6ES) (NGK)	1-C1	1-3	20	VALVE, EX. (STELITE)	1-C4	1-9	9
SPARK PLUG (W16EPR-U) (DENSO)	1-C1	1-3	20	VALVE, IN.	1-C4	1-9	8
SPARK PLUG (W20EPR-U) (DENSO)	1-C1	1-3	20	VALVE SET, FLOAT	1-C7	1-14	2
SPRING, BRUSH RETURN	1-D6	1-29	10		1-C8	1-16	2
SPRING, CABLE RETURN	1-D8	1-32	18	<b>(W)</b>			
SPRING, CONTROL ADJUSTING	1-D8	1-32	17	WASHER (8.2X17X0.8)	1-C2	1-4	11
SPRING, FRICTION	1-C6	1-12	5	WASHER, CHOKE LEVER	1-C8	1-17	35
SPRING, GOVERNOR	1-D7	1-31	4	WASHER, CONTROL LEVER	1-D7	1-31	13
SPRING, LEVER	1-D7	1-31	12	WASHER, DRAIN PLUG (12MM)	1-C2	1-4	19
SPRING, MANUAL CHOKE	1-C8	1-17	25	WASHER, HEAD COVER	1-C1	1-3	16
SPRING, RATCHET	1-C6	1-12	7				
SPRING, RETURN	1-C7	1-15	25				
SPRING, STARTER RETURN	1-C6	1-12	6				
SPRING, THROTTLE RETURN	1-D7	1-31	5				



# DESCRIPTION INDEX

Description	Grid	Page	Ref	Description	Grid	Page	Ref
WASHER, PLAIN (4MM) .....	1-E1	1-34	27				
	1-E2	1-37	25				
WASHER, PLAIN (5MM) .....	1-C8	1-17	43				
	1-D3	1-23	30				
WASHER, PLAIN (6MM) .....	1-C3	1-6	17				
WASHER, SPRING (4MM) .....	1-E1	1-34	28				
	1-E2	1-37	26				
WASHER, SPRING (5MM) .....	1-D3	1-23	31				
WASHER, THRUST (2.7X8) .....	1-C8	1-17	37				
WEIGHT, BALANCER .....	1-C3	1-7	8				
WEIGHT, GOVERNOR .....	1-C3	1-6	9				
WINGNUT (6MM) .....	1-D1	1-19	13				
WINGNUT, TOOL BOX SETTING .....	1-D1	1-19	14				
	1-D2	1-20	15				
WIRE, STOP SWITCH (430MM) .....	1-D5	1-27	14				
	1-D6	1-28	11				
WIRE, WATER COVER .....	1-D6	1-29	13				
WRENCH, SPARK PLUG .....	1-E4	1-40	10				
<b>(Y)</b>							
YOKE .....	1-D6	1-29	9				

