

GENERAL PURPOSE ENGINE

GXV160UA1

PARTS CATALOGUE

1



GXV160UA1

FOREWORD INDEX

1

ENGINE GROUP

2

PART NUMBER INDEX

3

PART NAME INDEX

4

Instruction for use of parts catalogue

- **This parts catalogue was prepared based on the latest information available as of June 01, 2005.**
- See the parts catalogue news for any revision that is made after June 01, 2005.
- **Always specify the part number when ordering a part.**
- Check the model, type, serial numbers, color, maker, and the size as needed before ordering a part.
- Note that the illustrations (part drawings) can differ from the actual parts in shape. They are given just to help you to refer to the parts.
- **When modifications or additions to this parts catalogue are made, a revised edition will be issued at an appropriate time, with successively progressing revision numbers on the cover. We recommend obtaining such revisions in order to keep your parts catalogue up-to-date at all times. To check whether a parts catalogue revision has been issued, please contact your Honda distributor.**

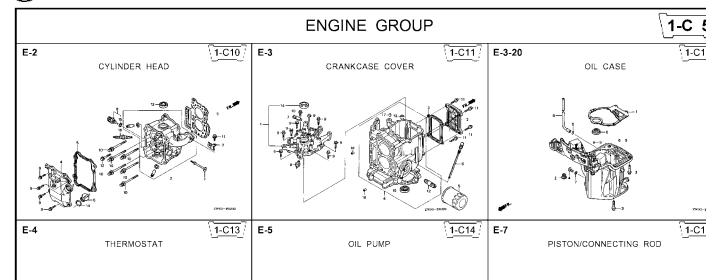
Initial version issue date **June 01, 2005**
Honda Motor Co., Ltd.

CONTENTS

	Page	Address No.	
● Instruction for use of parts catalogue	1	B 1	1
● How to refer to the part information	2	B 2	
● Part catalogue structure	3	B 3	
● When the parts were revised	4	B 4	
● Abbreviations used in the parts catalogue	4	B 4	
● How to check the part block and serial numbers	5	B 5	
● Models, parts catalogue codes and applicable serial numbers	6	B 6	
● Features of each type	6	B 6	
● Fuel hose, general purpose hoses and vinyl hose	7	B 7	
● FLAT RATE SERVICE TIME	8	B 8	
● Illustrated index	13	B13	
● ENGINE GROUP	15	C 1	2
● PART NO. INDEX	32	E 1	3
● PART NAME INDEX	34	F 1	4

How to refer to the part information

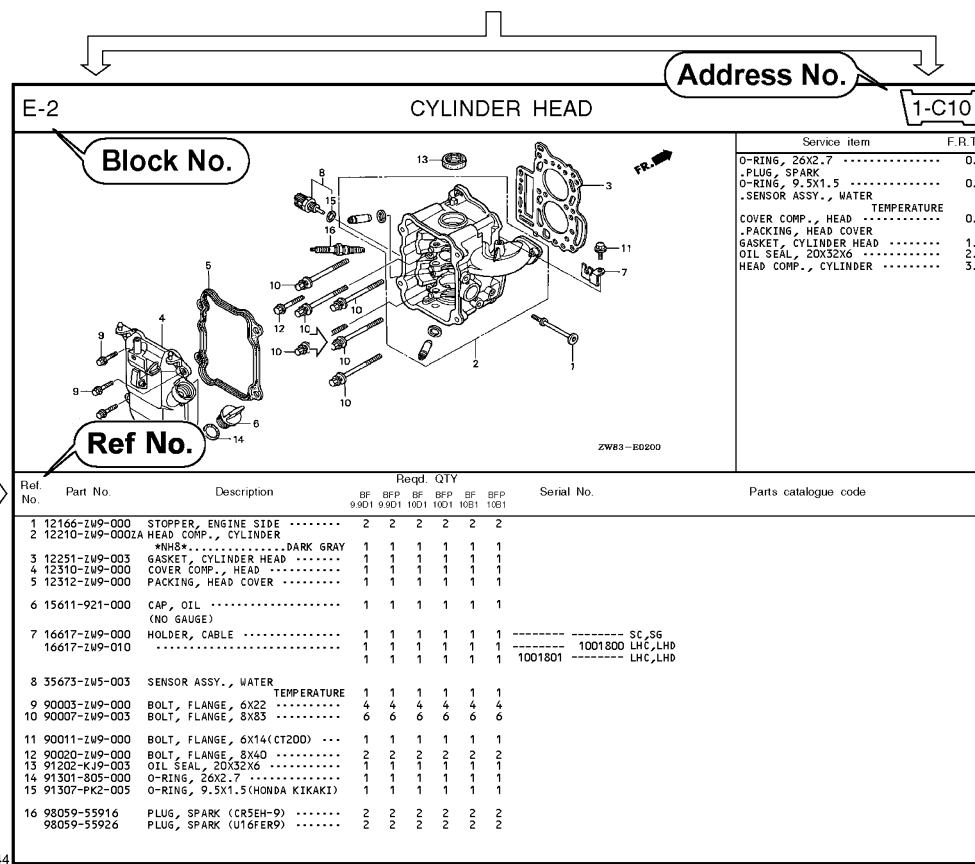
A Reference with "Illustrated index"



B Reference with "Part number index"

PART NO. INDEX

Part Number	Address	Page	Rel.	Part Number	Address	Page
06000				15212-ZW9-000	1-C14	3C
06316-ZW9-000	1-69	88	1	15220-ZW9-003	1-C14	3C
11000				15332-ZW9-000	1-E8	55
11300-ZW9-405	1-C11	27	1	15332-ZW9-A30	1-E11	58
11300-ZW9-406	1-C11	27	1	15400-PFB-004	1-C11	27
11340-ZW9-000	1-C11	27	2	15422-ZW9-000	1-C14	3C
11342-ZW9-000	1-C11	27	3	15473-881-000	1-C14	3C
11381-ZW9-003	1-C12	28	1	15474-ZW9-000	1-C14	3C
				15611-921-000	1-C10	2E
				15655-ZW9-000	1-C11	27
				16000		
12000				16010-ZV4-005	1-D4	3E
12000-ZW9-405ZA	1-C11	27	4	16011-ZV4-005	1-D4	3E
12155-ZV4-A00	1-C13	29	1	16013-ZW9-003	1-D4	3E
12166-ZW9-000	1-C10	26	1	16016-ZW9-003	1-D4	3E
12209-GB4-681	1-C16	32	1	16016-ZW9-721	1-D4	3E
12210-ZW9-405ZA	1-C10	26	2	16023-ZW9-003	1-D4	3E
12216-ZE2-300	1-E8	55	1	16024-ZV4-650	1-D4	3E
	1-E11	58	1	16028-ZV4-650	1-D4	3E



C Reference with "Part name index"

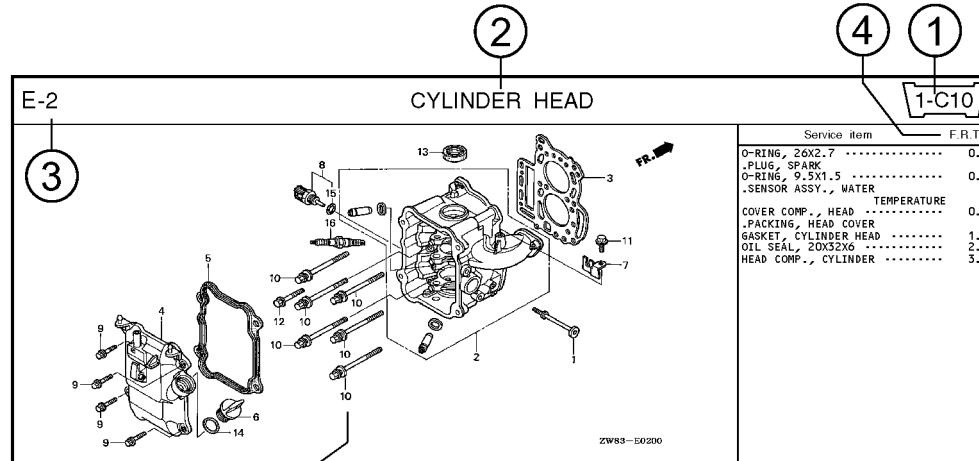
PART NAME INDEX

Part name	Address	Page	Ref.
[A]			
ABSORBER, FUEL	1-E15	62	5
ARMATURE COMP.	1-D11	43	7
ARM COMP., LINK JOINT	1-G6	85	18
ARM COMP., SHIFT LINK	1-G6	85	14
ARM COMP., TILT	1-F15	79	20
ARM, FUEL PUMP ROCKER	1-C16	32	4
ARM, REVERSE LOCK	1-F15	79	18
ARM, SHIFT LINK	1-F11	74	7
ARM, STOPPER	1-D1	33	12
ARM, THROTTLE REMOTE	1-F11	74	6
ARM, VALVE ROCKER	1-C16	32	3
[B]			
BAG, TOOL, 160MM	1-G5	84	10
BAND	1-G6	86	37
BAND B1, WIRE	1-F6	69	1
BAND, CORD	1-F3	67	18
BAND, TUBE CLIP, 11MM	1-E15	63	20
BAND, TUBE CLIP, 12.5MM	1-E15	63	19

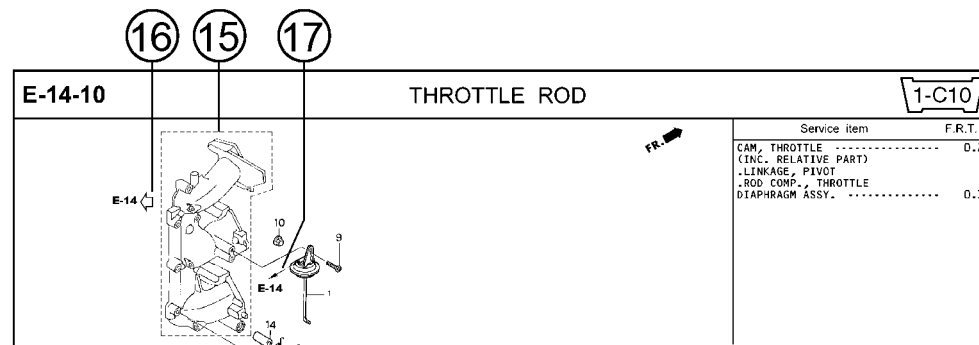
Page No.

2000.09.20 E

Part catalogue structure



Ref. No.	Part No.	Description	Reqd. QTY						Serial No.	Parts catalogue code
			BF 9/901	BFP 9/901	BF 1001	BFP 1001	BF 1081	BFP 1081		
1	12166-zw9-000	STOPPER, ENGINE SIDE	2	2	2	2	2	2		
2	12210-zw9-000ZA	HEAD COMP., CYLINDER *NH8* DARK GRAY	1	1	1	1	1	1		
3	12251-zw9-003	GASKET, CYLINDER HEAD	1	1	1	1	1	1		
4	12310-zw9-000	COVER COMP., HEAD	1	1	1	1	1	1		
5	12312-zw9-000	PACKING, HEAD COVER	1	1	1	1	1	1		
6	15611-921-000	CAP, OIL (NO GAUGE)	1	1	1	1	1	1		
7	16617-zw9-000	HOLDER, CABLE	1	1	1	1	1	1	SC,S6	
	16617-zw9-010		1	1	1	1	1	1	1001800 LHC,LHD	



- ① **Address number**
 - Address No. is provided (in place of the page No.) to help you refer to the part with the part No. or part name.
- ② **Block title** ③ **Block number**
- ④ **Service item/Flat rate time**
- ⑤ **Reference number**
 - Title number marked with the parenthesis or parentheses indicates that it continues from the previous page.
- ⑥ **Part number** ⑦ **Honda color code**
- ⑧ **Description**
- ⑨ **Assemblies**
 - Sections framed with broken lines in the exploded view drawings are available as complete assemblies. (Their individual parts can also be obtained.)
- ⑩ **Color description**
- ⑪ **Note**
 - Notes are shown with the parentheses in the part name column.
- ⑫ **Required quantity**
 - Required QTY shown in the parenthesis or parentheses indicates the optional part.
 - Required QTY marked with "N" Indicates the optional part that should be selected as needed.
 - Required QTY indicates the number of the part used in the block.
- ⑬ **Serial number**
- ⑭ **Type**
 - When the type column is blank, it indicates that the part is applicable to all types.
 - As the type of the actual unit may differ from the "parts catalogue, type" please refer to "Models, types and applicable serial numbers" for confirmation.
- ⑮ **[Dotted box]**
 - Parts enclosed within a dotted line [] are covered in a different block.
- ⑯ **[Hollow arrow]**
 - A hollow arrow [] indicates the block No. for the parts enclosed within a dotted line [] .
- ⑰ **[Solid arrow]**
 - A solid arrow [] indicates the block No. the part in question is connected to.

When the parts were revised



Be sure to check the serial number!!



Ref. No.	Part No.	Description	Reqd. QTY						Serial No.
			BF 99D1	BFP 9.9D1	BF 10D1	BFP 10D1	BF 10B1	BFP 10B1	
1	12166-ZW9-000	STOPPER, ENGINE SIDE	2	2	2	2	2	2	
2	12210-ZW9-000ZA	HEAD COMP., CYLINDER *NH8*.....DARK GRAY	1	1	1	1	1	1	
3	12251-ZW9-003	GASKET, CYLINDER HEAD	1	1	1	1	1	1	
4	12310-ZW9-000	COVER COMP., HEAD	1	1	1	1	1	1	
5	12312-ZW9-000	PACKING, HEAD COVER	1	1	1	1	1	1	
6	15611-921-000	CAP, OIL (NO GAUGE)	1	1	1	1	1	1	
7	16617-ZW9-000	HOLDER, CABLE (###).....	1	1	1	1	1	1	SC, SG LHC, LHD LHC, LHD
	16617-ZW9-010	1	1	1	1	1	1	

The number has been used from the initial model without revision. When shown at the left side, it is applicable to the models of No.1001801 and the subsequent numbers. When shown at the right side, it is applicable to the models up to No.1001800.

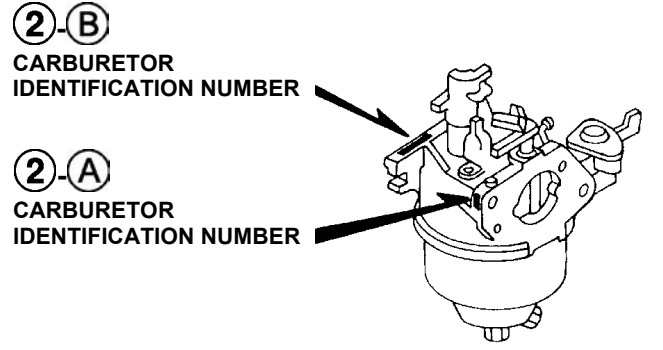
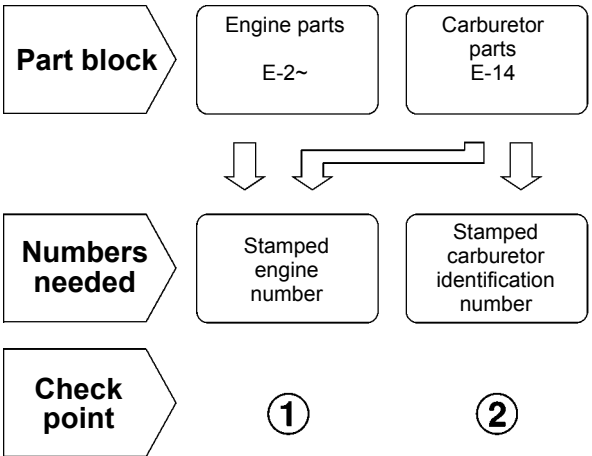
• The parts listed with "###" at the end of the parts name have limited supply period (parts not for sale).

Abbreviations used in the parts catalogue

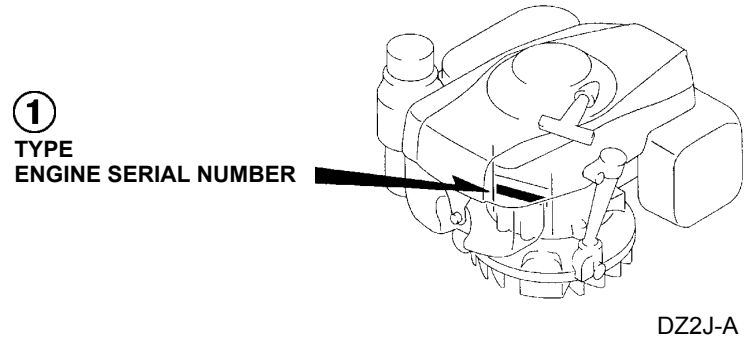
• The following abbreviations are used in the parts name column.

- A Ampere
- A.C. Alternating current
- ASSY. Assembly
- AT. Automatic transmission
- C.D.I. Capacitive discharge ignition
- COMP. ... Complete
- D.C. Direct current
- EX. Exhaust
- G.F.C.I ... Ground fault circuit interruptor
- HEX. Hexagonal
- H.S.T. Hydrostatic transmission
- FR.Front
- IN.Inlet
- L (100L) .Link (100 Links)
- L.Left
- MMMillimeter
- MT.Manual Transmission
- P.T.O.Power take off
- R.Right
- RR.Rear
- STD.Standard
- T (22T) ...Tooth (22 Teeth)
- VVolt
- WWatt

How to check the part block and serial numbers



DZ2J-B



DZ2J-A

Models, parts catalogue codes and applicable serial numbers

- Models, parts catalogue codes and applicable serial Nos. given in this parts catalogue can be identified as follows.

Model	Type	Parts catalogue type	Applicable engine serial No.	Applicable carburetor identification No.
GXV160UA1	A1AS	A1AS	GJAHA-1000001~	BE66C B
	A1T	A1T		
	A12	A12		
	N1AH	N1AH		
	N12	N12		
	T1AH	T1AH		

* Of carburetor identification numbers, only the portions underlined in the example below are used for registration.

BE 66C B KC ナ
 (A) (B)

Features of each type

- See the following table for the features of each type. (Items in brackets are optional)

Specifications		Model	GXV160UA1					
		Type	A1AS	A1T	A12	N1AH	N12	T1AH
Crankshaft	22.2mm Ø Straight		●		●	●	●	
	25mm Ø Straight			●				
	5/8" Stepped thread							●
Flywheel brake			●	●	●			

Fuel hose, general purpose hoses and vinyl hose

- The standard part fuel hose, general purpose hose and vinyl hose may be substituted by the coiled bulk part.
- When ordering the standard part fuel hose, general purpose hose and vinyl hose use the bulk part number written in the parts catalog in brackets () underneath the part name.
- When exchanging the hose, cut and use at the specified length as mentioned in the part name.
(For the method of cutting the bulk part, and method of filling out orders etc., please refer to the instructions issued with the bulk part.)

Bulk part number of fuel hose, general purpose hose and vinyl hose.

Example: 9 5 0 0 1 - 7 5 0 0 1 - 5 0 M

Bulk part number:
Refers to the bulk part.

Marking code (fuel hose and general purpose hose)

Change code (Vinyl hose)

Indicates number mark or change sequence, however, the code for the bulk part must be strictly 0 (zero).

Types of code:

- | | | | | | |
|-------------|--|----------------|--|--------------|---|
| • Fuel hose | 2: Red outside braid
(3 mm inside dia. only) | • General hose | 1: Ash gray
2: Ash gray
3: Black
5: Black | • Vinyl hose | 1: Clear
2: Black
3: Light red
6: Light red
7: Pale black |
| | 5: Black inside braid | | | | |
| | 3: Red (3 mm inside dia. only) | | | | |
| | 4: Ash gray with red stripe
(3 mm inside dia. only) | | | | |
| | 6: Black | | | | |

Lengths:

- 001: 1 m (standard)
003: 3 m
008: 8 m } Application or specification of some parts is not settled.

I.D code: (fuel hose and general purpose hose)

- | | | | | |
|------------|--------------------|--------------------|-----------------------------|-----------------------------|
| 30: 3.0 mm | 50: 5.0 mm | 70: 7.0 mm | 11: 11 mm | 12: 12 (outside dia. 17) mm |
| 35: 3.5 mm | 55: 5.3 mm, 5.5 mm | 75: 7.3 mm, 7.5 mm | 91: 12 (outside dia. 15) mm | 14: 14 mm |
| 45: 4.5 mm | 65: 6.5 mm | 80: 8.0 mm | 92: 12 (outside dia. 16) mm | 17: 17 mm |

ID./OD. code: (vinyl hose)

- | | | | | |
|-------------------------|--------------------------|---------------------------|---------------------------|---------------------------|
| 01: ID. 2.9, OD. 6.8 mm | 12: ID. 5.0, OD. 7.0 mm | 21: ID. 8.0, OD. 9.0 mm | 37: ID. 11.0, OD. 15.0 mm | 50: ID. 16.0, OD. 19.0 mm |
| 03: ID. 3.0, OD. 6.0 mm | 10: ID. 5.0, OD. 8.0 mm | 23: ID. 8.0, OD. 12.0 mm | 38: ID. 12.0, OD. 13.0 mm | 55: ID. 17.5, OD. 20.5 mm |
| 05: ID. 3.5, OD. 6.5 mm | 11: ID. 5.0, OD. 9.0 mm | 25: ID. 9.0, OD. 11.0 mm | 39: ID. 12.0, OD. 14.0 mm | 60: ID. 22.0, OD. 27.0 mm |
| 07: ID. 4.0, OD. 7.0 mm | 14: ID. 6.0, OD. 9.0 mm | 27: ID. 9.0, OD. 13.0 mm | 40: ID. 12.0, OD. 16.0 mm | |
| 08: ID. 4.5, OD. 6.5 mm | 17: ID. 7.0, OD. 9.0 mm | 33: ID. 10.0, OD. 14.0 mm | 43: ID. 13.0, OD. 15.0 mm | |
| 09: ID. 4.5, OD. 8.0 mm | 19: ID. 7.0, OD. 11.0 mm | 36: ID. 11.0, OD. 13.0 mm | 45: ID. 14.0, OD. 18.0 mm | |

Hose type:

- 1: Fuel hose
3: Vinyl hose
5: General hose

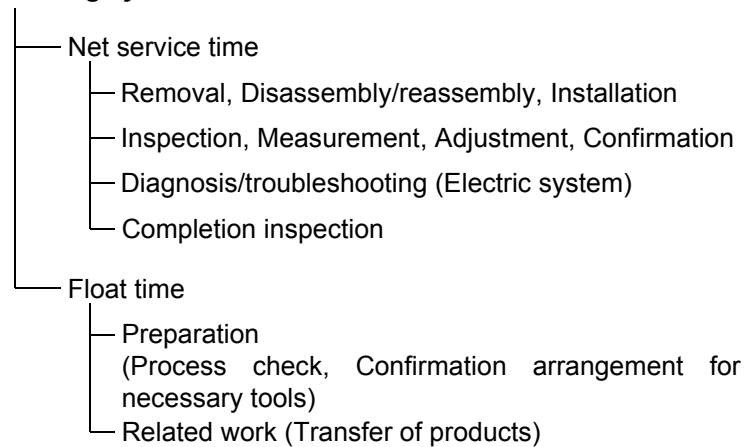
⊙ **CAUTION: It is DANGEROUS to confuse the fuel hose with the general purpose hose or vinyl hose.**

Never use a general purpose hose or vinyl hose in place of a fuel hose or vice versa. Always use the correct bulk part in the parts catalogue, according to the service manual or the instructions issued with the bulk part.

FLAT RATE SERVICE TIME

Flat rate service time (FRT) means the standard time required to service a product, which is listed in this manual to help the dealers control the actual working process and calculate the service charge by using it as a guide.

FRT setting system



* Float time is set by multiplying the net service time by a given coefficient.

Editorial style

The service items shown in the text are listed with the exchange work time for the repair sales parts as the subject. Other representative service items not using repair parts (removal/installation, adjustment, inspection/measuring, and other work) are listed collectively in the list in the preface, classified according to the work.

FRT setting standard

- Decimal system (in unit of 0.1) is adopted to set FRT as it is convenient to calculate the wage.
Example: (0.1) → 6 minutes, (0.2) → 12 minutes
[Labor cost per hour] x [FRT] = [Wage]
- FRT is set with a hand tool.
- Service items and FRT can be subject to change depending on development of tools and service equipment and improvement in service procedure.

Work procedure

- As the work procedure is set with the work time according to the method in the separate Service Manual, refer to this Manual as required.
- Work methods permitting servicing in the shortest time still permitting assurance of safe work and product warranty are used for the setting of service items not listed in the Service Manual.
- Work basically is to be performed by one person, and when two or more people are required, setting is done as the total time for the number of people.
- The set value for the technological level of the workers uses a person with three years of experience in the repair of Honda products as the standard.
- Special tools and service equipment used to set FRT are those specified or recommended in Service Manual.

Service item whose FRT is not presented

- Accessories and service parts that are not listed to use in this manual.
 - Locations with little aging deterioration or breakage during normal use.
 - Service work that can be finished by one touch.
 - Service work that is seldom done (i.e. extremely small causes of trouble and service frequency).
 - Products and parts whose location for installation differs according to its status of use and application.
- * When FRT is not presented, please calculate wages based on appropriate actual work time.

Operation not included of FRT

- Oil and coolant water draining, Waiting time for warming up operation and etc..
- Additional operation that involves removal/installation of standard exterior equipment.
- Indirect time spent for service by visiting the customer, trade-in, and delivery.
- Indirect time required for ordering and delivery of parts.
- Cost for grease, adhesive agent, etc. used for service work.

**Explanation of FRT by using an example
(The example may differ from the actual presented items)**

Ref. No.	L.O.N.	(Relative ref. Number) Description	F.R.T.
①	1111L1	(1, 3, 4, 7) VALVE, INTAKE4.1	②
③	1111L1A	• NOTE: OHV type • Includes: Engine removal and installation	⑦
		One head (intake all) add1.4	⑤

- ① Reference No. of the illustration of part that shows location of the replacement work.
- ② FRT is an abbreviation of Flat Rate Time indicating the standard service time required for the replacement.
- ③ LON is an abbreviation of Labor Operation Number, and it is a classification of the service items by the work unit code.

The same operation code is used regardless of the models.

Standard operation is indicated with 6 digits code, and additional operation is indicated with 7 digits code.

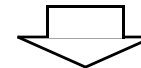
- ④ Indicating the intake valve replacement and FRT4.1.
- ⑤ Indicating FRT1.4 that will be added when additional operation (whole intake side of one cylinder head) is done in association with intake valve replacement.

- ⑥ Indicating work condition or application condition of the service item.
- ⑦ Indicating work contents that are included in the service item.
- ⑧ Indicating a reference No. whose operation and time are the same as FRT4.1 for the intake valve.

(The application range is limited to the service items without an LON setting within a same block.)

**How to refer to the service item by using the sample
(intake valve replacement)**

Open to the page of the block where the intake valve's spare part illustration is shown.



Look for the intake valve illustration, and refer to the service item and FRT that agree with the reference No.

Indication mark for the listing of service items that continues to the following page

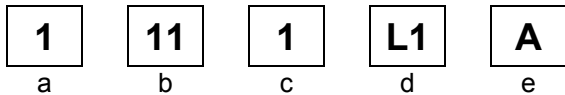
Ref. No.	L.O.N.	(Relative ref. Number) Description	F.R.T.
2	1111L1	VALVE, INTAKE	4.1
	.	.	.
	.	.	.

+
Mark indicated at the last line.

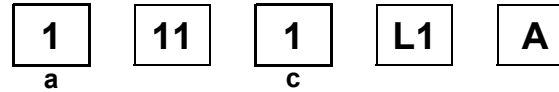
Indication of the block with no setting of FRT

Ref. No.	L.O.N.	(Relative ref. Number) Description	F.R.T.
NO INFORMATION			

• LON code system



- a) Category code..... Engine
- b) Location/function code Engine upper
- c) Operation code..... Replace
- d) Operation sequence number (Unit code can be shown with alphabet)
..... Intake valve
(No regular rule of code)
- e) Additional code One head (intake all)
(No regular rule of code)



a) Category codes and classification

Code	Category
1	Engine
2	Power drive
3	Fuel & Exhaust
4	Frame & Body
5	Steering
6	Electrical
7	Axle & Brake
8	Control system
9	-
0	Attachments

c) Operation codes and classification

Code	Operation category
1	Replace, Removal/Installation, Change
2	Overhaul
3	Adjust, Rotation
4	(Paint-related work: Top-coat)
5	Test, Inspect/diagnose, Measurement
6	(Overhaul-related work: Rebore)
7	(Overhaul-related work: Reseal)
8	(Resurface)
9	(Paint-related work: Refinish)
0	Repair, Cleaning, Air bleeding

Major service items without using spare parts

(1) Removal/Installation, (2) Adjustment, (3) Inspection/Measurement, (4) Overhaul, (5) Other work

E: Engine, T: Transmission, D: Drive system, B: Body and related parts

(1) Removal/Installation

Set with the parts configuration in the status of being removed from the product.

	LON	DESCRIPTION	FRT
E	1111L3	CYLINDER HEAD ASSEMBLY-REMOVAL/INSTALLATION	0.6

(2) Adjustment

	LON	DESCRIPTION	FRT
E	1113A1	VALVE CLEARANCE-ADJUSTMENT NOTE: For 1 product	0.4
	1163A0	CONTROL, THROTTLE/GOVERNOR-ADJUSTMENT	0.2
	3113A2	CARBURETOR IDLE-ADJUSTMENT	0.2

(3) Inspection, Measurement, Cleaning

	LON	DESCRIPTION	FRT
E	1105A0	ENGINE OIL-INSPECTION	0.1
	3120A0	AIR CLEANER-CLEANING INCLUDES: Air cleaner-inspection	0.2
	3130A0	SPARK ARRESTER-CLEANING	0.2
	6140A0	SPARK PLUG-ADJUSTMENT/CLEANING NOTE: For 1 product	0.1

(4) Overhaul

Work condition: The required Measurements, inspections, adjustments, and cleaning/washing of each part are performed, including the main body removal/installation work and the replacement of defective parts.

	LON	DESCRIPTION	FRT
E	3112A0	CARBURETOR-OVERHAUL INCLUDES: All necessary adjustment	0.6

(5) Other work

	LON	DESCRIPTION	FRT
E	1101E1	ENGINE OIL-CHANGE INCLUDES: Engine oil-inspection	0.2

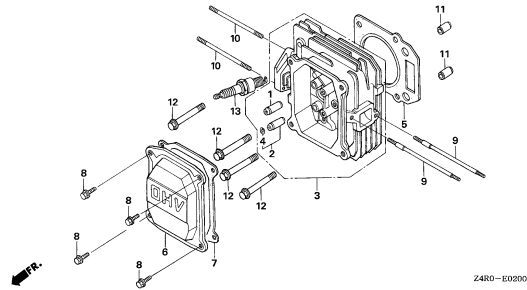
ENGINE GROUP

B13

E-2

CYLINDER HEAD

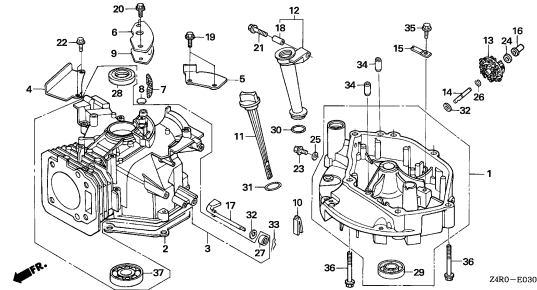
C 1



E-3

CYLINDER BARREL

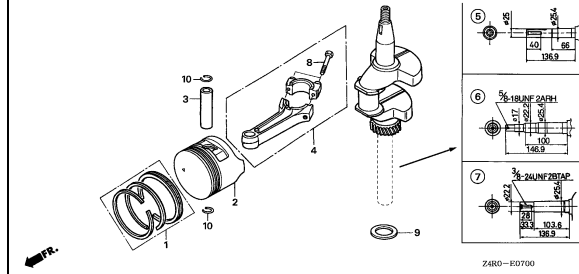
C 2



E-7

CRANKSHAFT/PISTON

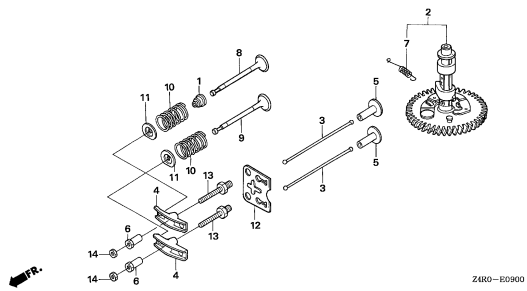
C 4



E-9

CAMSHAFT

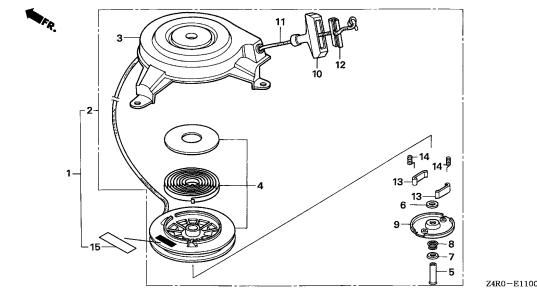
C 5



E-11

RECOIL STARTER

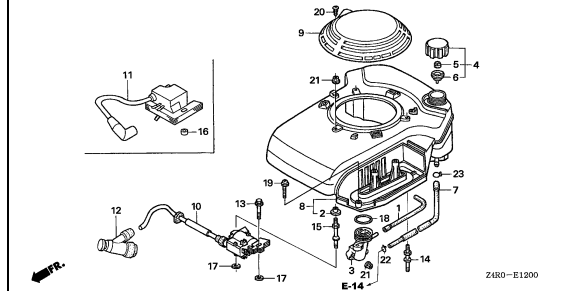
C 8



E-12

FAN COVER

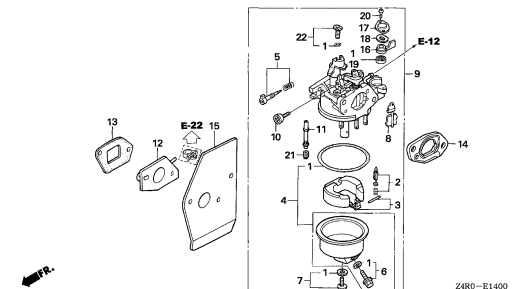
C 9



E-14

CARBURETOR

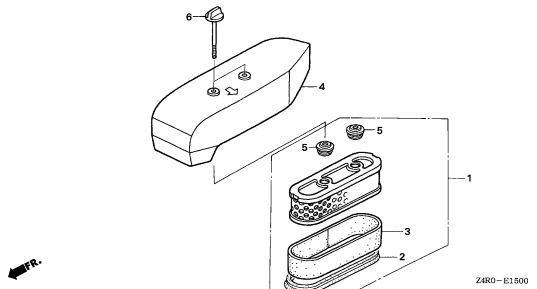
C11



E-15

AIR CLEANER

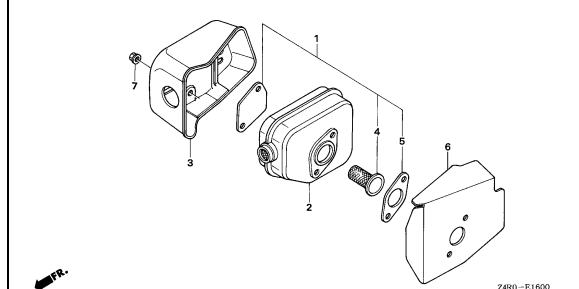
C12



E-16

MUFFLER

C13



2

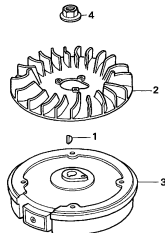
ENGINE GROUP

B14

E-19

FLYWHEEL(N1AH,T1AH)

C14

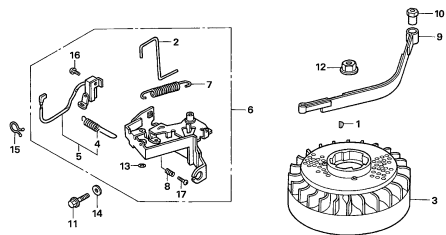


Z4R0-E1900

E-19-1

FLYWHEEL(A1AS,A1T,A12,N12)

C15

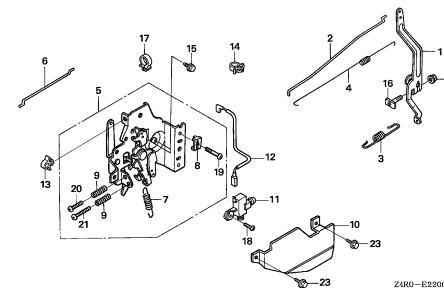


Z4R0-E1901

E-22

CONTROL

C16

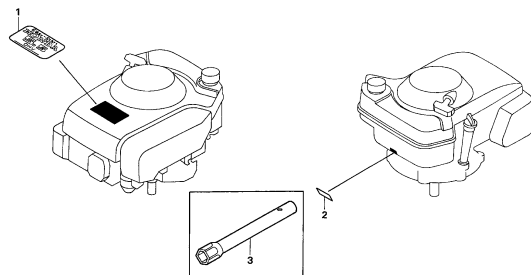


Z4R0-E2200

E-28

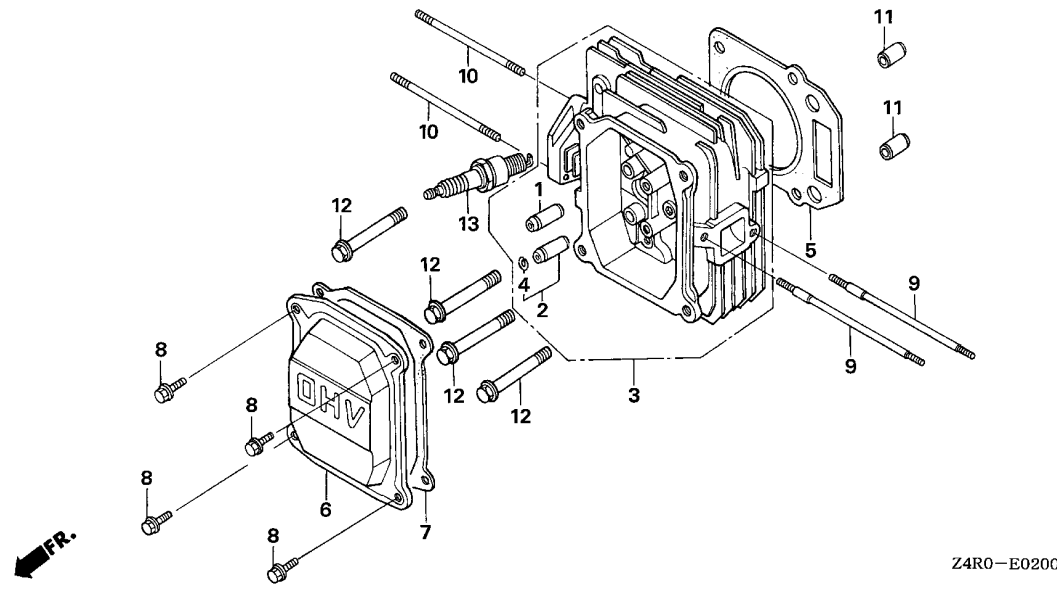
LABEL

D 1



Z4R0-E2800

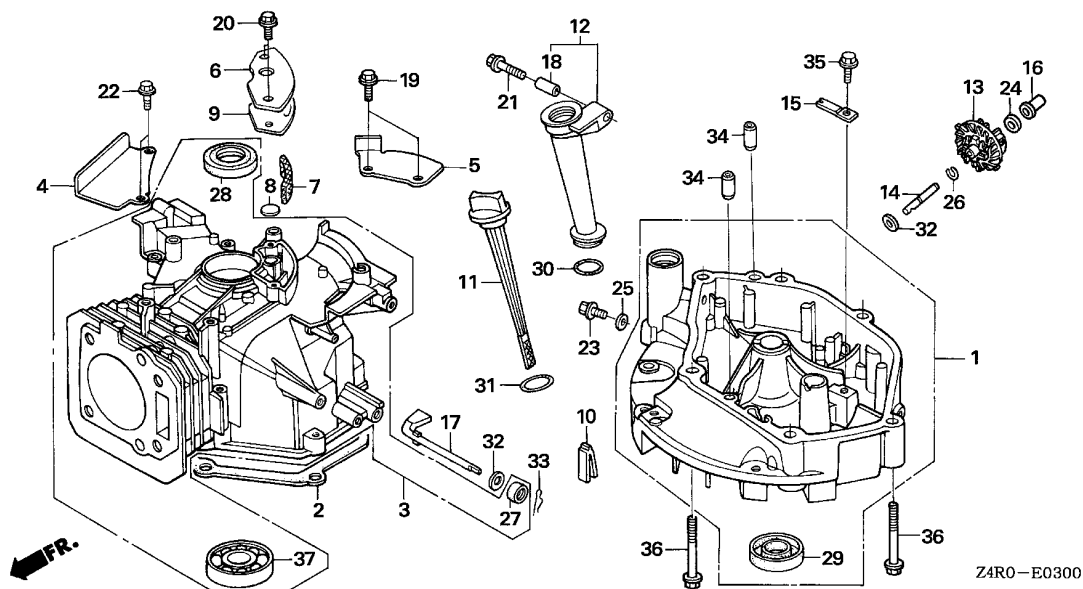
2



Ref. No.	L.O.N.	(Relative ref. Number) Description	F.R.T.
1	1111E9	GUIDE, INTAKE VALVEINCLUDES: Valve clearance adjustment	0.8
	1111E9E	.Replace intake and exhaust all add	0.2
2	1111E8	GUIDE, EXHAUST VALVEINCLUDES: Valve clearance adjustment	0.8
	1111E8E	.Replace intake and exhaust all add	0.2
3	1111N3	HEAD, CYLINDERINCLUDES: Valve clearance adjustment and reface	1.0
5	1111N4	GASKET, CYLINDER HEAD	0.6
6	1111D5	COVER, CYLINDER HEAD AND/OR PACKING, HEAD COVER	0.1
13	6141C1	PLUG, SPARK	0.1

Ref. No.	Part No.	Description	Reqd. QTY		Serial No.	Parts catalogue code
			GXV	160		
1	12204-ZE1-306	GUIDE, IN. VALVE (O.S.)	(1)			
2	12205-ZE1-315	GUIDE, EX. VALVE (O.S.)	(1)			
3	12210-Z1V-000	HEAD COMP., CYLINDER	1			
4	12216-ZE5-300	CLIP, VALVE GUIDE	1			
5	12251-ZE7-000	GASKET, CYLINDER HEAD	1			
6	12311-ZG9-800	COVER, HEAD	1			
7	12391-ZE7-T00	PACKING, HEAD COVER	1			
8	90013-883-000	BOLT, FLANGE, 6X12(CT200) ...	4			
9	90043-ZE6-000	BOLT, STUD, 6X109	2			
10	90048-ZC3-000	BOLT, STUD, 6X85	2			
11	94301-10160	DOWEL PIN, 10X16	2			
12	95701-08050-00	BOLT, FLANGE, 8X50	4			
13	98079-54846	PLUG, SPARK (BPR4ES)(NGK) ...	(1)			
	98079-54855	PLUG, SPARK (W14EPR-U)(DENSO)	(1)			
	98079-56846	PLUG, SPARK (BPR6ES)(NGK) ...	(1)			
	98079-56855	PLUG, SPARK (W20EPR-U)(DENSO)	(1)			
	98079-55846	PLUG, SPARK (BPR5ES)(NGK) ...	1			
	98079-55855	PLUG, SPARK (W16EPR-U)(DENSO)	1			

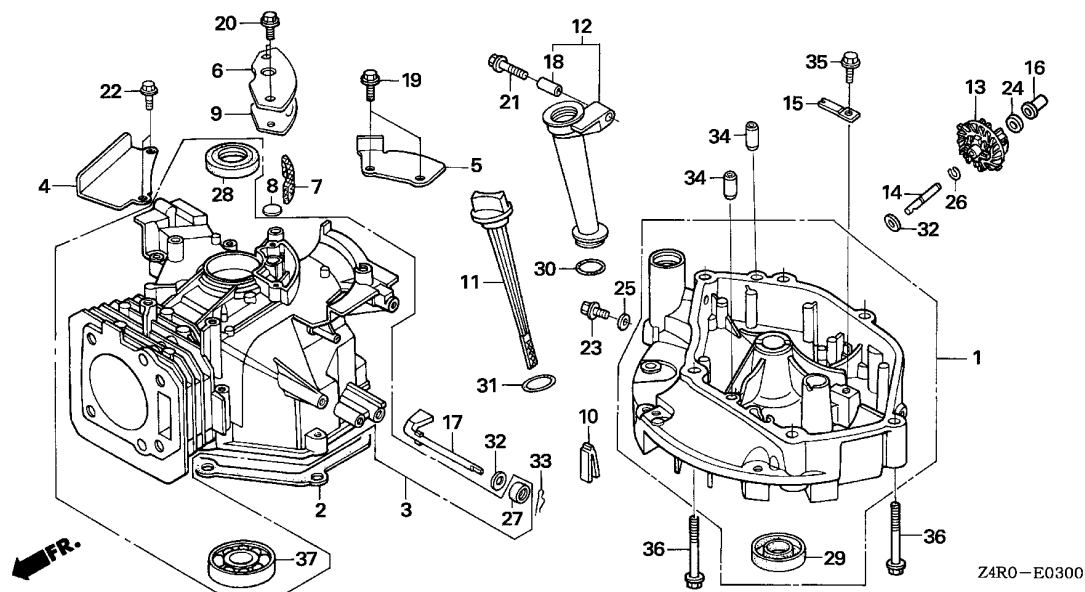




Ref. No.	L.O.N.	(Relative ref. Number) Description	F.R.T.
1		(2)	
1131A9		PAN, OIL AND/OR PACKING, OIL PAN	0.3
3	1101A0	BARREL, CYLINDER	1.5
7		(6,9)	
1111E5		FILTER, BREATHER	0.2
12		(30)	
1101B9		EXTENSION, OIL FILLER AND/OR PACKING, EXTENSION OIL FILLER	0.1
13	1161C4	GOVERNOR ASSEMBLY	0.4
17	1161B4	SHAFT, GOVERNOR ARM	0.3
28	1101E6	OIL SEAL, CRANKSHAFT :UPPER ..	1.1
29	1101E7	OIL SEAL, CRANKSHAFT :LOWER ..	0.3
37	1101J6	BEARING, CRANKSHAFT :UPPER ...	1.2

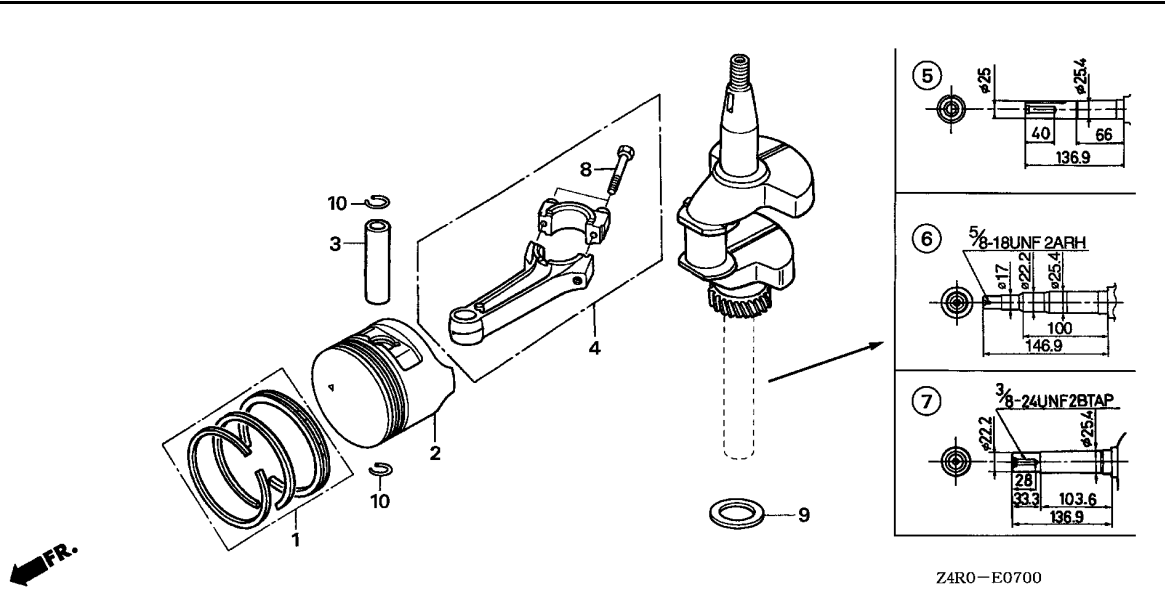
Z4R0-E0300

Ref. No.	Part No.	Description	Reqd. QTY		Serial No.	Parts catalogue code
			GXV 160 UA1			
1	11300-Z1V-000	PAN ASSY., OIL	1			
2	11381-ZE7-M10	PACKING, OIL PAN	1			
3	12000-Z2J-000	BARREL ASSY., CYLINDER	1			
4	12125-ZE7-000	PLATE, GUIDE	1			
5	12126-ZE7-W00	PLATE A, GUIDE	1			
6	12355-Z1V-000	COVER COMP., BREATHER	1			
7	12367-883-003	FILTER, BREATHER	1			
8	12372-ZE7-000	VALVE, BREATHER	1			
9	12373-ZE7-000	PACKING, BREATHER COVER	1			
10	15335-ZE7-000	RUBBER, OIL RETURN	1			
11	15620-ZE6-810	GAUGE COMP., OIL LEVEL	1			
12	15630-ZE6-810	EXTENSION, OIL FILLER	1			
13	16510-ZE6-000	GOVERNOR ASSY.	1			
14	16515-ZE6-010	SHAFT, GOVERNOR HOLDER	1			
15	16525-ZE6-010	PLATE, GOVERNOR SHAFT HOLDER	1			
16	16531-Z1T-000	SLIDER, GOVERNOR	1			
17	16541-ZE7-000	SHAFT, GOVERNOR ARM	1			
18	17240-ZE6-000	COLLAR, EXTENSION	1			
19	90013-883-000	BOLT, FLANGE, 6X12(CT200) ...	2			
20	90014-952-000	BOLT, FLANGE, 6X14(CT200) ...	2			
21	90017-883-000	BOLT, FLANGE, 6X32	1			
22	90022-888-010	BOLT, FLANGE, 6X20(CT200) ...	2			
23	90131-ZE1-000	BOLT, DRAIN PLUG	1			
24	90451-Z1T-000	WASHER, THRUST, 6MM	1			
25	90601-ZE1-000	WASHER, DRAIN PLUG, 10.2MM ..	1			



Ref. No.	Part No.	Description	Reqd. QTY		Serial No.	Parts catalogue code
			GXV 160 UA1			
26	90602-ZE1-000	CLIP, GOVERNOR HOLDER	1			
27	91231-Z1V-003	OIL SEAL, 6X11X4	1			
28	91251-Z1V-003	OIL SEAL, 25X38X7	1			
29	91252-Z1V-003	OIL SEAL, 25.4X40X7	1			
30	91301-ZE9-003	O-RING, 22.5X2.2	1			
31	91301-805-000	O-RING, 26X2.7	1			
32	94101-06800	WASHER, PLAIN, 6MM	2			
33	94251-08000	PIN, LOCK, 8MM	1			
34	94301-08140	DOWEL PIN, 8X14	2			
35	95701-06012-08	BOLT, FLANGE, 6X12	1			
36	95701-08050-00	BOLT, FLANGE, 8X50	6			
37	96100-62050-00	BEARING, RADIAL BALL, 6205 ..	1			





Ref. No.	L.O.N.	(Relative ref. Number) Description	F.R.T.
2	1111R1	(1,3,4) PISTON AND/OR RING SET AND/OR BEARING AND/OR RODINCLUDES: Inspection/ Measurement/Cleaning	1.2
5	1101F0	(6,7) CRANKSHAFT	1.1

Ref. No.	Part No.	Description	Reqd. QTY	Serial No.	Parts catalogue code
			GXV 160 UA1		
1	13010-ZL0-003	RING SET, PISTON (STD.) (TEIKOKU)	1		
	13010-ZL0-004	RING SET, PISTON (STD.) (NIPPON)	1		
	13011-ZL0-003	RING SET, PISTON (0.25) (TEIKOKU)	(1)		
	13011-ZL0-004	RING SET, PISTON (0.25) (NIPPON)	(1)		
	13012-ZL0-003	RING SET, PISTON (0.50) (TEIKOKU)	(1)		
	13012-ZL0-004	RING SET, PISTON (0.50) (NIPPON)	(1)		
	13013-ZL0-003	RING SET, PISTON (0.75) (TEIKOKU)	(1)		
	13013-ZL0-004	RING SET, PISTON (0.75) (NIPPON)	(1)		
2	13101-Z1T-000	PISTON (STD.) (JIALING-HONDA)	1		
	13102-ZE7-020	PISTON (0.25)	(1)		
	13103-ZE7-020	PISTON (0.50)	(1)		
	13104-ZE7-020	PISTON (0.75)	(1)		
3	13111-Z1T-000	PIN, PISTON	1		
4	13200-Z1V-000	ROD ASSY., CONNECTING	1		
5	13310-ZE7-V10	CRANKSHAFT COMP.	1	----- A1T	
6	13310-ZE7-V20	CRANKSHAFT COMP.	1	----- T1AH	
7	13310-ZE7-010	CRANKSHAFT COMP.	1	----- A1AS,A12,N1AH,N12	
8	90001-ZE1-000	BOLT, CONNECTING ROD	2		
9	90401-ZE7-W00	WASHER, THRUST, 25.6MM	1		
10	90551-ZE1-000	CLIP, PISTON PIN, 18MM	2		

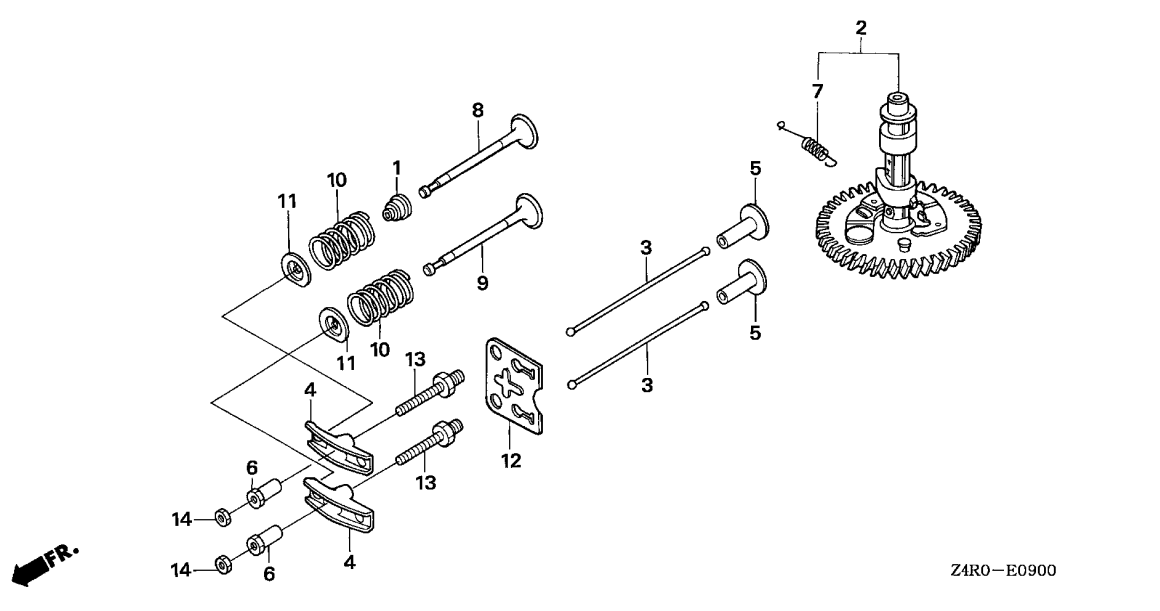
2

FR.

E-9

CAMSHAFT

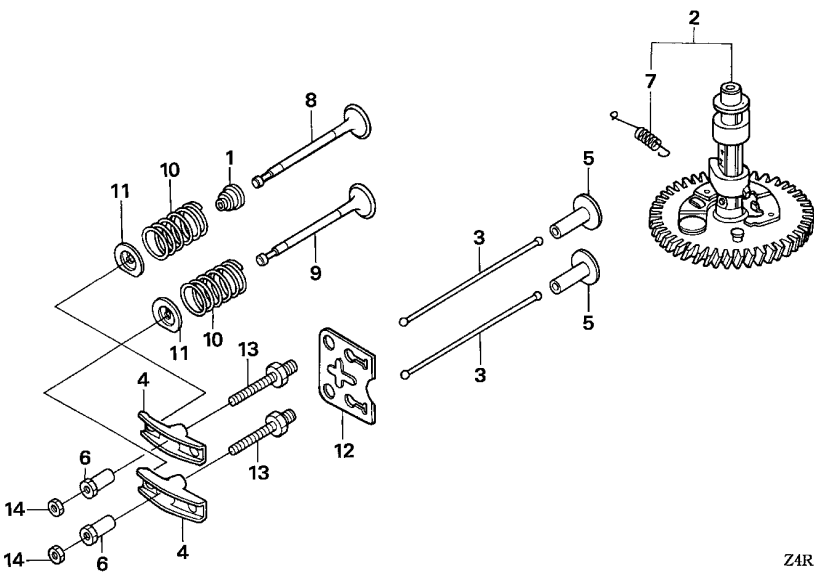
C 5



Ref. No.	L.O.N.	(Relative ref. Number) Description	F.R.T.
1	1111K2	SEAL, INTAKE VALVE STEMINCLUDES: Valve clearance adjustment	0.6
2	1111C2	CAMSHAFT	0.6
3	1111L6	ROD, PUSH :INTAKEINCLUDES: Valve clearance adjustment	0.2
	1111L6A	.Replace exhaust push rod add	0.1
	1111L7	ROD, PUSH :EXHAUSTINCLUDES: Valve clearance adjustment	0.2
	1111L7A	.Replace intake push rod add	0.1
4	1111A2	ARM, ROCKER :INTAKEINCLUDES: Valve clearance adjustment	0.2
	1111A2A	.Replace exhaust rocker arm add	0.1
	1111A1	ARM, ROCKER :EXHAUSTINCLUDES: Valve clearance adjustment	0.2
	1111A1A	.Replace intake rocker arm add	0.1
5	1111L9	LIFTER, VALVE :INTAKENOTE: Same time for two units .INCLUDES: Valve clearance adjustment	0.6

Ref. No.	Part No.	Description	Reqd. QTY		Serial No.	Parts catalogue code
			GXV 160 UA1			
1	12209-ZE6-003	SEAL, VALVE STEM	1			
2	14100-ZE7-000	CAMSHAFT ASSY.	1			
3	14410-ZE1-010	ROD, PUSH	2			
4	14431-ZE1-000	ARM, VALVE ROCKER	2			
5	14441-ZE1-010	LIFTER, VALVE	2			
6	14451-ZE1-013	PIVOT, ROCKER ARM	2			
7	14568-ZE1-000	SPRING, WEIGHT RETURN	1			
8	14711-ZF1-000	VALVE, IN.	1			
9	14721-ZE7-000	VALVE, EX.	1			
10	14751-ZE1-000	SPRING, VALVE	2			
11	14771-ZE1-000	RETAINER, IN. VALVE SPRING ..	2			
12	14791-ZE1-010	PLATE, PUSH ROD GUIDE	1			
13	90012-ZE0-010	BOLT, PIVOT, 8MM	2			
14	90206-ZE1-000	NUT, PIVOT ADJUSTING	2			

2



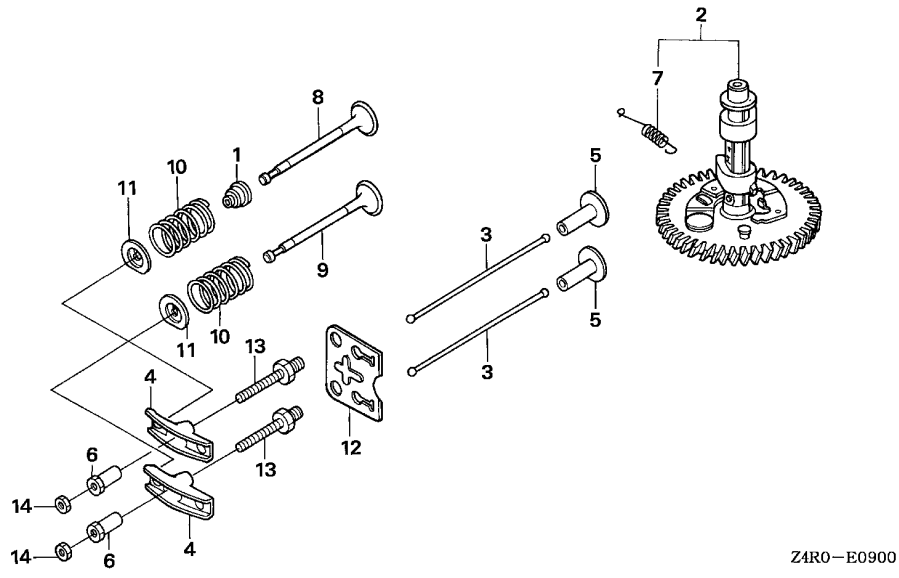
Z4R0-E0900

Ref. No.	L.O.N.	(Relative ref. Number) Description	F.R.T.
+ 5	1111M0	LIFTER, VALVE :EXHAUSTNOTE: Same time for two units .INCLUDES: Valve clearance adjustment	0.6
8	1111L1	VALVE, INTAKEINCLUDES: Valve clearance adjustment and reface	0.7
	1111L1E	.Replace intake and exhaust all add	0.1
9	1111L0	VALVE, EXHAUSTINCLUDES: Valve clearance adjustment and reface	0.7
	1111L0E	.Replace intake and exhaust all add	0.1
10	1111P3	SPRING, VALVE :INTAKEINCLUDES: Valve clearance adjustment .INCLUDES: Engine removal and installation	0.6
	1111P3A	.Replace intake and exhaust all add	0.1
	1111P4	SPRING, VALVE :EXHAUSTINCLUDES: Valve clearance adjustment	0.6
		+	

E-9

CAMSHAFT

C 7



FR.

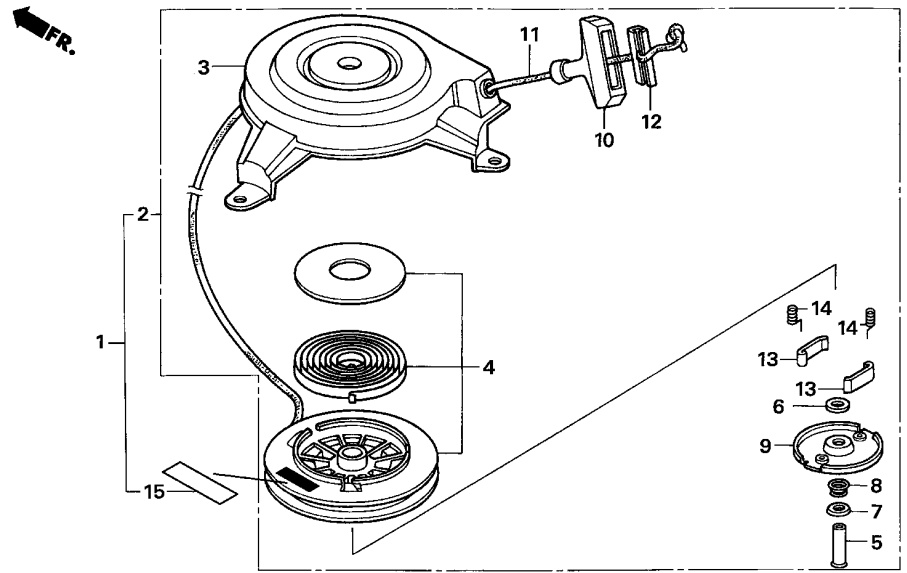
Ref. No.	L.O.N. (Relative ref. Number)	Description	F.R.T.
+10		.INCLUDES: Engine removal and installation	
1111P4A		.Replace intake and exhaust all add	0.1

2

E-11

RECOIL STARTER

C 8

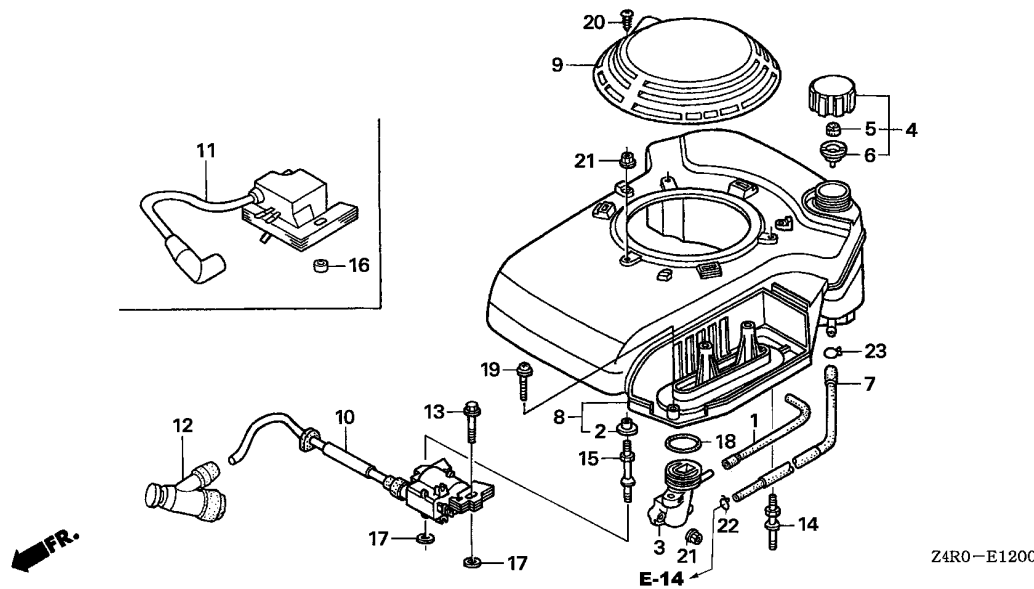


Z4R0-E1100

Ref. No.	L.O.N.	(Relative ref. Number) Description	F.R.T.
1	1121B9	STARTER, RECOIL	0.1
4	1121A8	PULLEY AND SPRING ASSEMBLY ...	0.3
11	1121B3	ROPE, RECOIL STARTER	0.3
13		(14)	
	1121B0	RATCHET, STARTER AND/OR SPRING, RATCHET	0.2

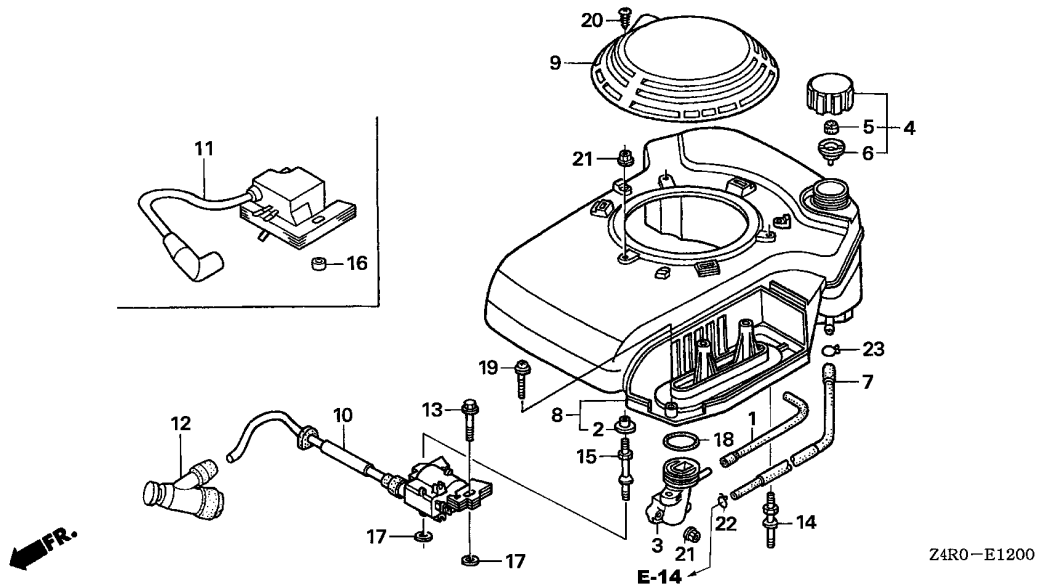
Ref. No.	Part No.	Description	Reqd. QTY		Serial No.	Parts catalogue code
			GXV	160		
				UA1		
1	28400-ZG9-W52	STARTER ASSY., RECOIL	1		----- A1T	
2	28400-ZG9-803	STARTER ASSY., RECOIL	1		----- A1AS,A12,N1AH,N12,T1AH	
3	28402-ZG9-802	HOUSING ASSY.	1			
4	28415-ZG9-802	PULLEY & SPRING ASSY.	1			
5	28419-ZG9-802	PIN, CENTER	1			
6	28431-ZG9-802	PLATE A, FRICTION	1			
7	28432-ZG9-802	PLATE B, FRICTION	1			
8	28441-ZG9-802	SPRING, FRICTION	1			
9	28444-ZG9-802	RETAINER	1			
10	28461-ZE6-T02	HANDLE	1			
11	28462-ZG9-W52	ROPE (#4.5X96")	1		----- A1T	
	28462-ZG9-802	ROPE, RECOIL STARTER	1		----- A1AS,A12,N1AH,N12,T1AH	
12	28463-ZE6-T02	HANDLE, REINFORCEMENT	1			
13	28485-ZE6-T02	DOG	2			
14	28486-ZE6-T02	SPRING, DOG	2			
15	87284-ZG9-W52	MARK, PARTS NUMBER	1		----- A1T	

2

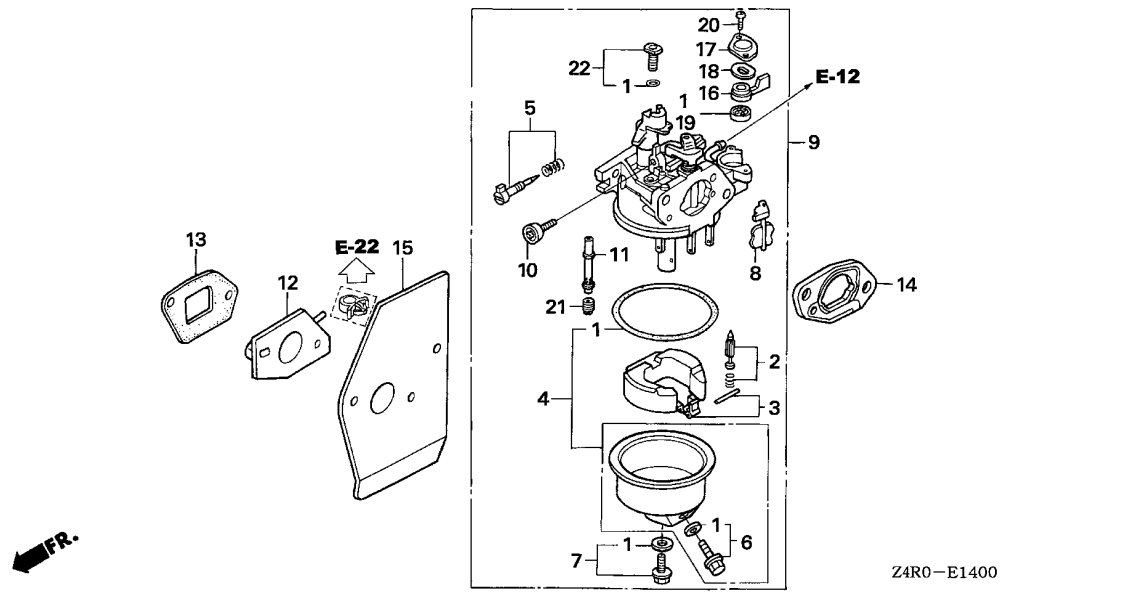


Ref. No.	L.O.N.	(Relative ref. Number) Description	F.R.T.
1	1111K5	TUBE, BREATHER	0.1
3		(18)	
3	3121B4	ELBOW, AIR CLEANER	0.2
6		(5)	
6	3101L9	PACKING, FUEL CAP	0.1
7	3101F1	TUBE, FUEL TANK	0.2
8	1141G8	COVER, ENGINE COOLING FAN	0.2
9	4141C6	HOOD, FAN COVER	0.1
10		(11)	
	6141A5	COIL, IGNITION(ONE)	0.3
12	6141B8	TERMINAL, HIGH TENSION	0.1

Ref. No.	Part No.	Description	Reqd. QTY		Serial No.	Parts catalogue code
			GXV 160 UA1			
1	15721-ZE7-000	TUBE, BREATHER	1			
2	17216-PE2-003	COLLAR, AIR CLEANER	3			
3	17410-ZE7-W00	ELBOW COMP., AIR CLEANER	1			
4	17620-ZE7-000	CAP ASSY., FUEL TANK	1			
5	17622-888-010	SPONGE, FUEL CAP BREATHER	1			
6	17624-ZE7-000	PACKING, FUEL CAP	1			
7	17700-ZE7-W00	TUBE ASSY., FUEL TANK	1			
8	19610-ZE7-W01ZA	COVER COMP., FAN	1			
	NH1BLACK	1	-----	N1AH,N12,T1AH	
	19610-ZE7-W01ZC	*R280*.....POWER RED	1	-----	N1AH,N12	
	19610-ZE7-W11ZA	COVER COMP., FAN (BRAKE)	1			
	NH1BLACK	1	-----	A1AS,A1T,A12	
	19610-ZE7-W11ZC	*R280*.....POWER RED	1	-----	A12	
9	19615-ZG9-801ZA	HOOD, FAN COVER	1			
		(GRAINED FINISH)				
	NH1BLACK	1	-----		
	19615-ZG9-801ZE	*R280*.....POWER RED	1	-----	A12,N1AH,N12	
10	30500-ZE7-063	COIL ASSY., IGNITION	1			
11	30500-ZG9-801	COIL ASSY., IGNITION	1			
12	30700-ZE6-023	CAP ASSY., NOISE SUPPRESSOR	1			
13	90015-883-000	BOLT, FLANGE, 6X28	1			
14	90041-ZE7-W00	BOLT, STUD (A)	2			
	90041-ZE7-W10	BOLT, STUD (BRAKE)	2			
15	90042-ZE7-W00	BOLT, STUD (IGN COIL)	1			
16	90402-ZE7-W00	COLLAR, SPECIAL	2			
17	90581-GB5-610	WASHER, PLAIN, 6MM	2			



Ref. No.	Part No.	Description	Reqd. QTY		Serial No.	Parts catalogue code
			GXV	160		
18	91301-ZG9-800	O-RING, 33.3X3.5	1			
19	93891-06035-10	SCREW-WASHER, 6X35	1			
20	93913-24580	SCREW, TAPPING, 4X20	1			
21	94050-06000	NUT, FLANGE, 6MM	5			
22	95002-02080	CLIP, TUBE (B8)	1			
23	95002-50000	CLIP, TUBE (C9)	1			

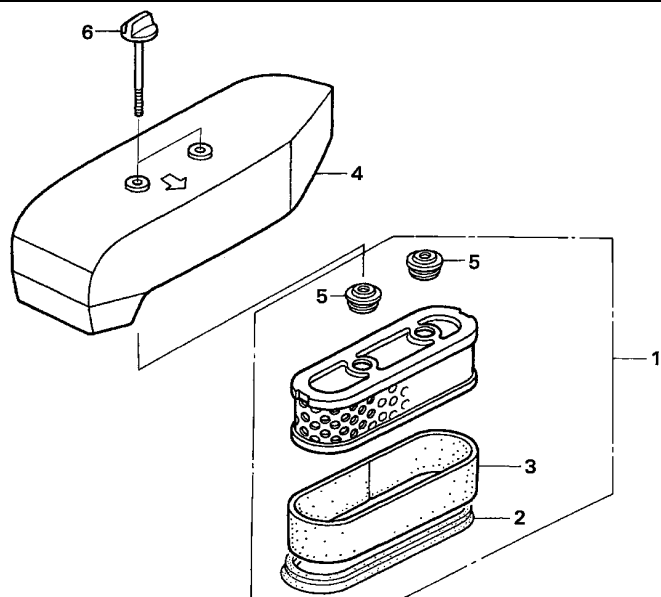


Z4R0-E1400

Ref. No.	L.O.N.	(Relative ref. Number) Description	F.R.T.
1	3111B1	GASKET SET, CARBURETOR (3)	0.3
2	3111E1	VALVE SET, FLOAT AND/OR FLOAT SET	0.3
4	3111A3	CHAMBER SET, FLOAT AND/OR GASKET, FLOAT CHAMBER	0.2
5	3111D7	SCREW SET, PILOT	0.2
9	3111F3	CARBURETOR	0.2
12	3111C0	INSULATOR, CARBURETOR AND/OR PACKING, INSULATOR	0.2
14	3111D9	SPACER, CARBURETOR	0.2
15	3111C8	PACKING, CARBURETOR (16,17,18)	0.2
19	3101C5	PACKING, FUEL COCK (11)	0.2
21	3111C3	JET, MAIN	0.3

Ref. No.	Part No.	Description	Reqd. QTY		Serial No.	Parts catalogue code
			GXV 160 UA1			
1	16010-ZE0-025	GASKET SET	1			
2	16011-ZE0-005	VALVE SET, FLOAT	1			
3	16013-ZE0-005	FLOAT SET	1			
4	16015-ZE0-831	CHAMBER SET, FLOAT	1			
5	16016-ZH7-W01	SCREW SET, PILOT	1			
6	16024-ZE1-811	SCREW SET, DRAIN	1			
7	16028-ZE0-005	SCREW SET	1			
8	16045-ZE7-005	CHOKE SET	1			
9	16100-ZE7-W21	CARBURETOR ASSY. (BE66C B)	1			
10	16124-ZE0-005	SCREW, THROTTLE STOP	1			
11	16166-ZE7-W10	NOZZLE, MAIN	1			
12	16211-ZE7-000	INSULATOR, CARBURETOR	1			
13	16212-ZE7-M10	PACKING, INSULATOR	1			
14	16220-ZE6-010	SPACER COMP., CARBURETOR	1			
15	16221-ZE7-M11	PACKING, CARBURETOR	1			
16	16953-ZE1-812	LEVER, COCK	1			
17	16954-ZE1-812	PLATE, LEVER SETTING	1			
18	16956-ZE1-811	SPRING, COCK LEVER	1			
19	16957-ZE1-812	PACKING, FUEL COCK	1			
20	93500-03006-1H	SCREW, PAN, 3X6	2			
21	99101-ZH8-0600	JET, MAIN, #60	(1)			
	99101-ZH8-0620	JET, MAIN, #62	(1)			
	99101-ZH8-0650	JET, MAIN, #65	1			
22	99204-ZE0-0350	JET SET, PILOT, #35	1			

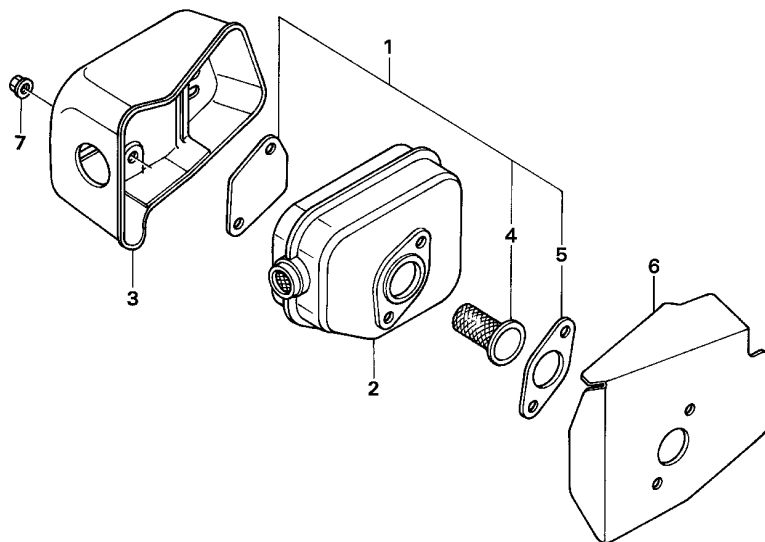




Ref. No.	L.O.N.	(Relative ref. Number) Description	F.R.T.
1	3121B8	ELEMENT, AIR CLEANER	0.1
2	3121E2	PACKING, ELEMENT	0.1
3	3121C1	FILTER, OUTER	0.1
4	3121B1	COVER, AIR CLEANER	0.1

2

Ref. No.	Part No.	Description	Reqd. QTY		Serial No.	Parts catalogue code
			GXV 160 UA1			
1	17211-ZE7-W03	ELEMENT, AIR CLEANER (TOYO) -	1			
2	17217-ZE7-W00	PACKING, ELEMENT	1			
3	17218-ZE7-W02	FILTER, OUTER	1			
4	17231-ZE7-W00ZA	COVER, AIR CLEANER				
		NH1.....BLACK	1			
5	17232-ZE7-W00	GROMMET, AIR CLEANER	2			
6	90004-ZE7-W00	BOLT, AIR CLEANER (6X73)	2			

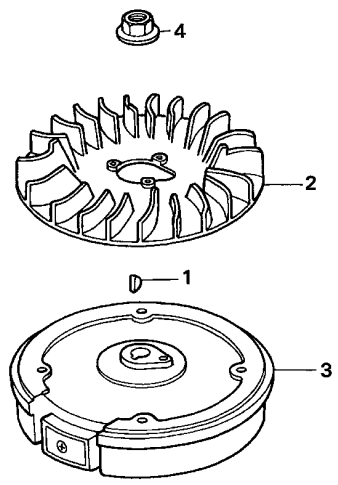


Z4R0-E1600

Ref. No.	L.O.N.	(Relative ref. Number) Description	F.R.T.
1	3131A0	ARRESTER KIT, SPARK	0.2
2	3131C5	MUFFLER, EXHAUST	0.2
3	3131D6	PROTECTOR, EXHAUST MUFFLER ...	0.1
4	3131A1	ARRESTER, SPARK	0.2
5		(6)	
	3131B4	GASKET, EXHAUST MUFFLER	0.2

Ref. No.	Part No.	Description	Reqd. QTY		Serial No.	Parts catalogue code
			GXV	UA1		
1	06180-ZE6-820	ARRESTER KIT, SPARK	(1)			
2	18310-ZG9-J01	MUFFLER COMP.	1			
3	18320-ZG9-M01	PROTECTOR COMP., MUFFLER ...	1			
4	18355-888-810	ARRESTER, SPARK	(1)			
5	18381-ZE6-820	GASKET, MUFFLER	(1)			
6	18381-ZG9-M00	GASKET, MUFFLER	1			
7	90343-ZE6-000	NUT, SELF-LOCK, 6MM	2			



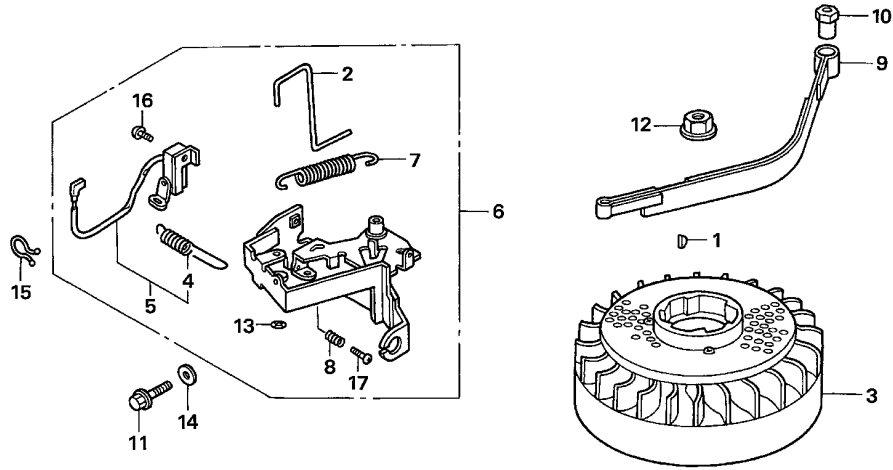


Z4R0-E1900

Ref. No.	L.O.N.	(Relative ref. Number) Description	F.R.T.
2	1141G7	FAN, ENGINE COOLING	0.2
3	2161B5	FLYWHEEL	0.3

Ref. No.	Part No.	Description	Reqd. QTY		Serial No.	Parts catalogue code
			GXV 160 UA1			
1	13331-357-000	KEY, SPECIAL WOODRUFF, 25X18	1	-----	-----	N1AH,T1AH
2	19511-ZE1-000	FAN, COOLING	1	-----	-----	N1AH,T1AH
3	31100-ZE7-010	FLYWHEEL COMP. (STD.)	1	-----	-----	N1AH,T1AH
4	90201-878-003	NUT, SPECIAL, 14MM	1	-----	-----	N1AH,T1AH

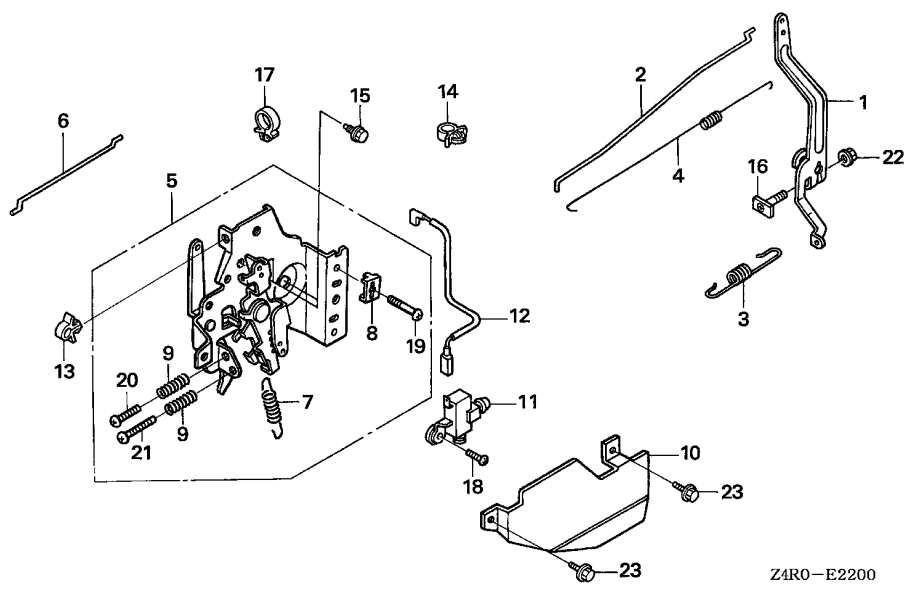
2



Z4R0-E1901

Ref. No.	L.O.N.	(Relative ref. Number) Description	F.R.T.
3	2161B5	FLYWHEEL	0.3
4	8101L3	SPRING, SWITCH CONTROL	0.2
5	6151D9	SWITCH, ENGINE STOP	0.2
6	2161G0	LEVER, FLYWHEEL BRAKE	0.3
7	4151E0	SPRING, BRAKE LEVER	0.2
9	216130	SHOE, FLYWHEEL BRAKE	0.3

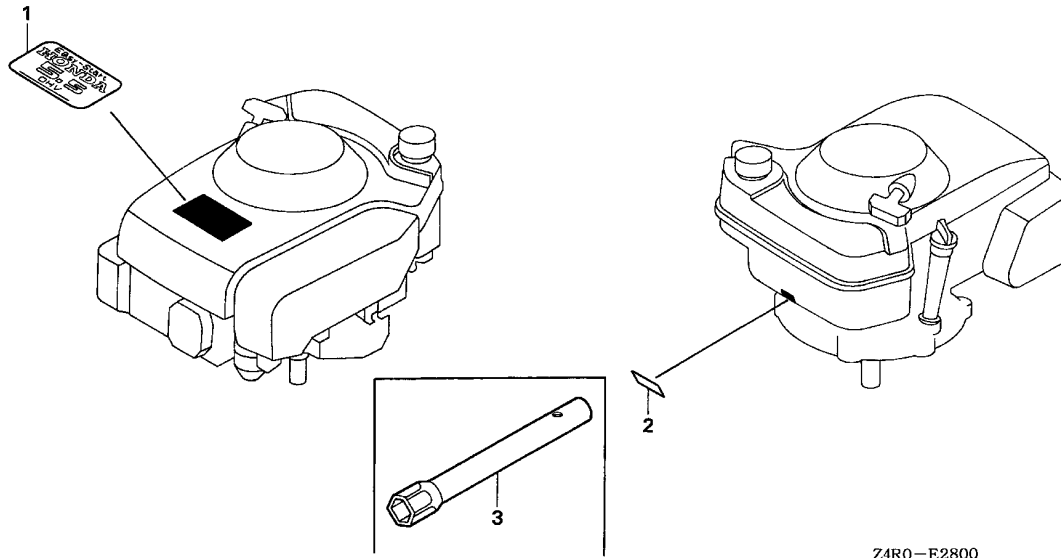
Ref. No.	Part No.	Description	Reqd. QTY		Serial No.	Parts catalogue code
			GXV 160 UA1			
1	13331-357-000	KEY, SPECIAL WOODRUFF, 25X18	1		A1AS,A1T,A12,N12	
2	16566-ZE7-W00	ROD, GOVERNOR ARM RETURN	1		A1AS,A1T,A12	
3	31105-ZE7-W00	FLYWHEEL ASSY.	1		A1AS,A1T,A12,N12	
4	35129-ZG9-800	SPRING, SWITCH CONTROL	1		A1AS,A1T,A12	
5	36100-ZE7-W01	SWITCH ASSY., ENGINE STOP ...	1		A1AS,A1T,A12	
6	75101-ZE7-W00	LEVER ASSY., BRAKE	1		A1AS,A1T,A12	
7	75113-ZG9-800	SPRING, BRAKE LEVER	1		A1AS,A1T,A12	
8	75114-ZG9-800	SPRING, BRAKE ADJUSTING	1		A1AS,A1T,A12	
9	75120-ZG9-801	BRAKE COMP.	1		A1AS,A1T,A12	
10	75123-ZG9-800	COLLAR, BRAKE SHAFT	1		A1AS,A1T,A12	
11	90014-952-000	BOLT, FLANGE, 6X14(CT200) ...	1		A1AS,A1T,A12	
12	90201-878-003	NUT, SPECIAL, 14MM	1		A1AS,A1T,A12,N12	
13	90310-ZB7-701	NUT, PUSH, 2.6	1		A1AS,A1T,A12	
14	90461-357-000	WASHER, SEALING, 6.5X12	1		A1AS,A1T,A12	
15	90630-ZE7-W01	CLIP, PURSE LOCK	1		A1AS,A1T,A12	
16	93500-04008-0A	SCREW, PAN, 4X8	1		A1AS,A1T,A12	
17	93500-05012-0A	SCREW, PAN, 5X12	1		A1AS,A1T,A12	



Ref. No.	L.O.N.	(Relative ref. Number) Description	F.R.T.
1	1161A0	ARM, GOVERNOR	0.3
2	1161B1	ROD, GOVERNOR	0.3
3	1161C5	SPRING, GOVERNOR	0.2
4	1161C2	SPRING, THROTTLE RETURN	0.3
5	1161A5	CONTROL, THROTTLE/GOVERNOR ...	0.4
6	8101R5	ROD, GOVERNOR CHOKE CONTROL ..	0.2
7	1161C0	SPRING, LEVER	0.1
11	6151D9	SWITCH, ENGINE STOP	0.2
12	6111B3	CORD, STOP SWITCH	0.2

2

Ref. No.	Part No.	Description	Reqd. QTY		Serial No.	Parts catalogue code
			GXV 160 UA1			
1	16551-ZE7-000	ARM, GOVERNOR	1			
2	16555-ZE7-000	ROD, GOVERNOR	1			
3	16561-ZE7-020	SPRING, GOVERNOR	1			
4	16562-ZE6-000	SPRING, THROTTLE RETURN	1			
5	16570-ZE7-020	CONTROL ASSY.	1			
6	16573-ZE7-000	ROD, CHOKE	1			
7	16576-ZE7-300	SPRING, LEVER	1			
8	16576-891-000	HOLDER, CABLE	1			
9	16584-883-300	SPRING, CONTROL ADJUSTING ...	2			
10	16585-ZE7-000	PROTECTOR, CONTROL	1			
11	36100-ZE7-013	SWITCH ASSY., ENGINE STOP ...	1	-----	N1AH,N12,T1AH	
12	36101-ZE7-W00	CORD, STOP SWITCH	1	-----	N12	
	36101-ZE7-020	1	-----	N1AH,T1AH	
13	36103-ZE1-000	HOLDER, STOP SWITCH CORD	1	-----		
	51125-Z0L-003	HOLDER, WIRE (FASTEX)	1	-----	A1AS,A1T,A12	
14	46392-SC2-003	CLAMP, BRAKE PIPE (GRAY)	1			
15	90013-883-000	BOLT, FLANGE, 6X12(CT200) ...	2			
16	90015-ZE5-010	BOLT, GOVERNOR ARM	1			
17	90659-680-013	CLIP, WIRE HARNESS	1			
18	93500-04008-0A	SCREW, PAN, 4X8	1	-----	N1AH,N12,T1AH	
19	93500-05016-0A	SCREW, PAN, 5X16	1			
20	93500-05020-0A	SCREW, PAN, 5X20	1			
21	93500-05028-0A	SCREW, PAN, 5X28	1			
22	94050-06000	NUT, FLANGE, 6MM	1			
23	95701-06010-00	BOLT, FLANGE, 6X10	2			



Z4R0-E2800

Ref. No.	L.O.N. (Relative ref. Number)	Description	F.R.T.
----------	-------------------------------	-------------	--------

NO INFORMATION

Ref. No.	Part No.	Description	Reqd. QTY		Serial No.	Parts catalogue code
			GXV	160		
1	87101-ZE7-W31	EMBLEM (5.5)	1			
2	87601-ZE7-V10	MARK, TYPE (A1T)	1		----- A1T	
	87601-ZE7-V20	MARK, TYPE (T1AH)	1		----- T1AH	
	87601-ZE7-W00	MARK, TYPE (N12)	1		----- N12	
	87601-ZE7-W30	MARK, TYPE (A12)	1		----- A12	
	87601-ZE7-W70	MARK, TYPE (N1AH)	1		----- N1AH	
	87601-ZE7-800	MARK, TYPE (A1AS)	1		----- A1AS	
3	99004-21003	WRENCH, BOX (P21)	1			



PART NO. INDEX

E 2

Part Number	Address	Page	Ref.	Part Number	Address	Page	Ref.	Part Number	Address	Page	Ref.	Part Number	Address	Page	Ref.
98079-56855	C1	15	13												
99000															
99004-21003	D1	31	3												
99101-ZH8-0600	C11	25	21												
99101-ZH8-0620	C11	25	21												
99101-ZH8-0650	C11	25	21												
99204-ZE0-0350	C11	25	22												

3

PART NAME INDEX

F 1

Part name	Address	Page	Ref.	Part name	Address	Page	Ref.	Part name	Address	Page	Ref.
[A]				COVER COMP., FAN	C9	23	8	JET, MAIN,	C11	25	21
ARM, GOVERNOR	C16	30	1	COVER, AIR CLEANER	C12	26	4	[K]			
ARM, VALVE ROCKER	C5	19	4	COVER, HEAD	C1	15	6	KEY, SPECIAL WOODRUFF, 25X18--	C14	28	1
ARRESTER KIT, SPARK	C13	27	1	CRANKSHAFT COMP.	C4	18	5		C15	29	1
ARRESTER, SPARK	C13	27	4	[D]				[L]			
[B]				DOG	C8	22	13	LEVER ASSY., BRAKE	C15	29	6
BARREL ASSY., CYLINDER	C2	16	3	DOWEL PIN, 10X16	C1	15	11	LEVER, COCK	C11	25	16
BEARING, RADIAL BALL, 6205 ...	C3	17	37	DOWEL PIN, 8X14	C3	17	34	LIFTER, VALVE	C5	19	5
BOLT, AIR CLEANER	C12	26	6	[E]				[M]			
BOLT, CONNECTING ROD	C4	18	8	ELBOW COMP., AIR CLEANER	C9	23	3	MARK, PARTS NUMBER	C8	22	15
BOLT, DRAIN PLUG	C2	16	23	ELEMENT, AIR CLEANER	C12	26	1	MARK, TYPE	D1	31	2
BOLT, FLANGE, 6X10	C16	30	23	EMBLEM	D1	31	1	MUFFLER COMP.	C13	27	2
BOLT, FLANGE, 6X12	C1	15	8	EXTENSION, OIL FILLER	C2	16	12	[N]			
	C2	16	19	[F]				NOZZLE, MAIN	C11	25	11
	C3	17	35	FAN, COOLING	C14	28	2	NUT, FLANGE, 6MM	C10	24	21
	C16	30	15	FILTER, BREATHER	C2	16	7		C16	30	22
BOLT, FLANGE, 6X14	C2	16	20	FILTER, OUTER	C12	26	3	NUT, PIVOT ADJUSTING	C5	19	14
	C15	29	11	FLOAT SET	C11	25	3	NUT, PUSH, 2.6	C15	29	13
BOLT, FLANGE, 6X20	C2	16	22	FLYWHEEL ASSY.	C15	29	3	NUT, SELF-LOCK, 6MM	C13	27	7
BOLT, FLANGE, 6X28	C9	23	13	FLYWHEEL COMP.	C14	28	3	NUT, SPECIAL, 14MM	C14	28	4
BOLT, FLANGE, 6X32	C2	16	21	[G]					C15	29	12
BOLT, FLANGE, 8X50	C1	15	12	GASKET SET	C11	25	1	[O]			
	C3	17	36	GASKET, CYLINDER HEAD	C1	15	5	OIL SEAL, 25X38X7	C3	17	28
BOLT, GOVERNOR ARM	C16	30	16	GASKET, MUFFLER	C13	27	5	OIL SEAL, 25.4X40X7	C3	17	29
BOLT, PIVOT, 8MM	C5	19	13	GAUGE COMP., OIL LEVEL	C2	16	11	OIL SEAL, 6X11X4	C3	17	27
BOLT, STUD	C9	23	14	GOVERNOR ASSY.	C2	16	13	O-RING, 22.5X2.2	C3	17	30
			15	GROMMET, AIR CLEANER	C12	26	5	O-RING, 26X2.7	C3	17	31
BOLT, STUD, 6X109	C1	15	9	GUIDE, EX. VALVE	C1	15	2	O-RING, 33.3X3.5	C10	24	18
BOLT, STUD, 6X85	C1	15	10	GUIDE, IN. VALVE	C1	15	1	[P]			
BRAKE COMP.	C15	29	9	[H]				PACKING, BREATHER COVER	C2	16	9
[C]				HANDLE	C8	22	10	PACKING, CARBURETOR	C11	25	15
CAMSHAFT ASSY.	C5	19	2	HANDLE, REINFORCEMENT	C8	22	12	PACKING, ELEMENT	C12	26	2
CAP ASSY., FUEL TANK	C9	23	4	HEAD COMP., CYLINDER	C1	15	3	PACKING, FUEL CAP	C9	23	6
CAP ASSY., NOISE SUPPRESSOR ..	C9	23	12	HOLDER, CABLE	C16	30	8	PACKING, FUEL COCK	C11	25	19
CARBURETOR ASSY.	C11	25	9	HOLDER, STOP SWITCH CORD	C16	30	13	PACKING, HEAD COVER	C1	15	7
CHAMBER SET, FLOAT	C11	25	4	HOLDER, WIRE	C16	30	13	PACKING, INSULATOR	C11	25	13
CHOKE SET	C11	25	8	HOOD, FAN COVER	C9	23	9	PACKING, OIL PAN	C2	16	2
CLAMP, BRAKE PIPE	C16	30	14	HOUSING ASSY.	C8	22	3	PAN ASSY., OIL	C2	16	1
CLIP, GOVERNOR HOLDER	C3	17	26	[I]				PIN, CENTER	C8	22	5
CLIP, PISTON PIN, 18MM	C4	18	10	INSULATOR, CARBURETOR	C11	25	12	PIN, LOCK, 8MM	C3	17	33
CLIP, PURSE LOCK	C15	29	15	[J]				PIN, PISTON	C4	18	3
CLIP, TUBE	C10	24	22	JET SET, PILOT,	C11	25	22	PISTON	C4	18	2
			23	[J]				PISTON	C4	18	2
CLIP, VALVE GUIDE	C1	15	4					PIVOT, ROCKER ARM	C5	19	6
CLIP, WIRE HARNESS	C16	30	17					PLATE A, FRICTION	C8	22	6
COIL ASSY., IGNITION	C9	23	10					PLATE A, GUIDE	C2	16	5
			11					PLATE B, FRICTION	C8	22	7
COLLAR, AIR CLEANER	C9	23	2					PLATE, GOVERNOR SHAFT HOLDER ..	C2	16	15
COLLAR, BRAKE SHAFT	C15	29	10								
COLLAR, EXTENSION	C2	16	18								
COLLAR, SPECIAL	C9	23	16								
CONTROL ASSY.	C16	30	5								
CORD, STOP SWITCH	C16	30	12								
COVER COMP., BREATHER	C2	16	6								

PART NAME INDEX

F 2

Part name	Address	Page	Ref.	Part name	Address	Page	Ref.	Part name	Address	Page	Ref.
PLATE, GUIDE	C2	16	4	[T]							
PLATE, LEVER SETTING	C11	25	17	TUBE ASSY., FUEL TANK	C9	23	7				
PLATE, PUSH ROD GUIDE	C5	19	12	TUBE, BREATHER	C9	23	1				
PLUG, SPARK	C1	15	13	[V]							
PROTECTOR COMP., MUFFLER	C13	27	3	VALVE SET, FLOAT	C11	25	2				
PROTECTOR, CONTROL	C16	30	10	VALVE, BREATHER	C2	16	8				
PULLEY & SPRING ASSY.	C8	22	4	VALVE, EX.	C5	19	9				
[R]				VALVE, IN.	C5	19	8				
RETAINER	C8	22	9	[W]							
RETAINER, IN. VALVE SPRING ...	C5	19	11	WASHER, DRAIN PLUG, 10.2MM	C2	16	25				
RING SET, PISTON	C4	18	1	WASHER, PLAIN, 6MM	C3	17	32				
ROD ASSY., CONNECTING	C4	18	4		C9	23	17				
ROD, CHOKE	C16	30	6	WASHER, SEALING, 6.5X12	C15	29	14				
ROD, GOVERNOR	C16	30	2	WASHER, THRUST, 25.6MM	C4	18	9				
ROD, GOVERNOR ARM RETURN	C15	29	2	WASHER, THRUST, 6MM	C2	16	24				
ROD, PUSH	C5	19	3	WRENCH, BOX	D1	31	3				
ROPE	C8	22	11								
ROPE, RECOIL STARTER	C8	22	11								
RUBBER, OIL RETURN	C2	16	10								
[S]											
SCREW-WASHER, 6X35	C10	24	19								
SCREW SET	C11	25	7								
SCREW SET, DRAIN	C11	25	6								
SCREW SET, PILOT	C11	25	5								
SCREW, PAN, 3X6	C11	25	20								
SCREW, PAN, 4X8	C15	29	16								
	C16	30	18								
SCREW, PAN, 5X12	C15	29	17								
SCREW, PAN, 5X16	C16	30	19								
SCREW, PAN, 5X20	C16	30	20								
SCREW, PAN, 5X28	C16	30	21								
SCREW, TAPPING, 4X20	C10	24	20								
SCREW, THROTTLE STOP	C11	25	10								
SEAL, VALVE STEM	C5	19	1								
SHAFT, GOVERNOR ARM	C2	16	17								
SHAFT, GOVERNOR HOLDER	C2	16	14								
SLIDER, GOVERNOR	C2	16	16								
SPACER COMP., CARBURETOR	C11	25	14								
SPONGE, FUEL CAP BREATHER	C9	23	5								
SPRING, BRAKE ADJUSTING	C15	29	8								
SPRING, BRAKE LEVER	C15	29	7								
SPRING, COCK LEVER	C11	25	18								
SPRING, CONTROL ADJUSTING	C16	30	9								
SPRING, DOG	C8	22	14								
SPRING, FRICTION	C8	22	8								
SPRING, GOVERNOR	C16	30	3								
SPRING, LEVER	C16	30	7								
SPRING, SWITCH CONTROL	C15	29	4								
SPRING, THROTTLE RETURN	C16	30	4								
SPRING, VALVE	C5	19	10								
SPRING, WEIGHT RETURN	C5	19	7								
STARTER ASSY., RECOIL	C8	22	1								
			2								
SWITCH ASSY., ENGINE STOP	C15	29	5								
	C16	30	11								

1

FOREWORD INDEX

2

ENGINE GROUP

3

PART NUMBER INDEX

4

PART NAME INDEX

HONDA
The Power of Dreams



PARTS CATALOGUE NEWS

Honda Motor Co., Ltd. Service Division

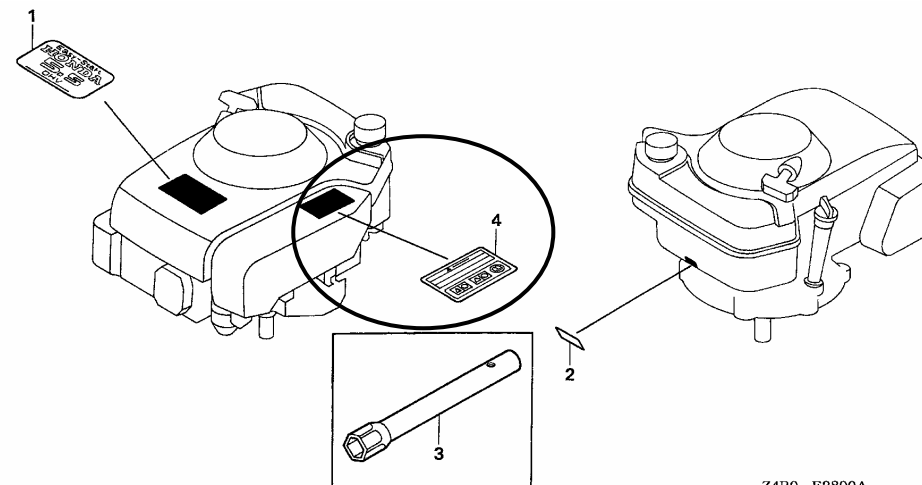
PARTS CATALOGUE - CORRECTED

Printed in Japan

CODE NO.	BOOKLET TYPE	13Z4R601
	MICRO-FICHE	13Z4R6EA/FA
PARTS CATALOGUE TITLE	GXV160UA1	
NEWS NO.	001	

Block No.	Ref. No.	Note	Part No.	Description	Reqd. QTY	Serial No.	Parts catalogue code
					GXV 160 UA1		

E-28 LABEL



Z4R0-E2800A

NOTE A:PART NO. CHANGE D:NEWLY PROVIDED E:PART NO.DELETION K:REQUIRED NO. CORRECTION L:APPLICATION SERIAL NO. CORRECTION
T:APPLICATION CORRECTION Z:REMARKS CHANGE

PARTS CATALOGUE NEWS

BOOKNo. : 13Z4R601

Block No.	Ref. No.	Note	Part No.	Description	Reqd. QTY	Serial No.	Parts catalogue code
					GXY 160 UA1		
E-28	4	D	87516-Z4R-010	MARK, OPERATOR CAUTION (ENGLISH) (MADE IN U. S. A.)	1		
		D	87516-Z4R-801	MARK, OPERATOR CAUTION (FRENCH) (MADE IN U. S. A.)	1		
		D	87516-Z4R-811	MARK, OPERATOR CAUTION (PICTOGRAPH) (MADE IN U. S. A.)	(1)		

NOTE A:PART NO. CHANGE D:NEWLY PROVIDED E:PART NO. DELETION K:REQUIRED NO. CORRECTION L:APPLICATION SERIAL NO. CORRECTION
T:APPLICATION CORRECTION Z:REMARKS CHANGE



PARTS CATALOGUE NEWS

Honda Motor Co., Ltd. Service Division

PARTS CATALOGUE - CORRECTED

Printed in Japan

CODE NO.	BOOKLET TYPE	13Z4R601
	MICRO-FICHE	13Z4R6EA/FA
PARTS CATALOGUE NEWS	GXV160UA1	
NEWS NO.	002	

Block No.	Ref. No.	Note	Part No.	Description	Reqd. QTY	Serial No.	Parts catalogue code
					GXV 160 UA1		
E-3	3	E	12000-Z2J-000	*PARTS NO. DELETION			
		D	12000-Z2J-405	BARREL ASSY., CYLINDER	1		

NOTE A:PART NO. CHANGE D:NEWLY PROVIDED E:PART NO. DELETION K:REQUIRED NO. CORRECTION L:APPLICATION SERIAL NO. CORRECTION
T:APPLICATION CORRECTION Z:REMARKS CHANGE



PARTS CATALOGUE NEWS

Honda Motor Co., Ltd. Service Division

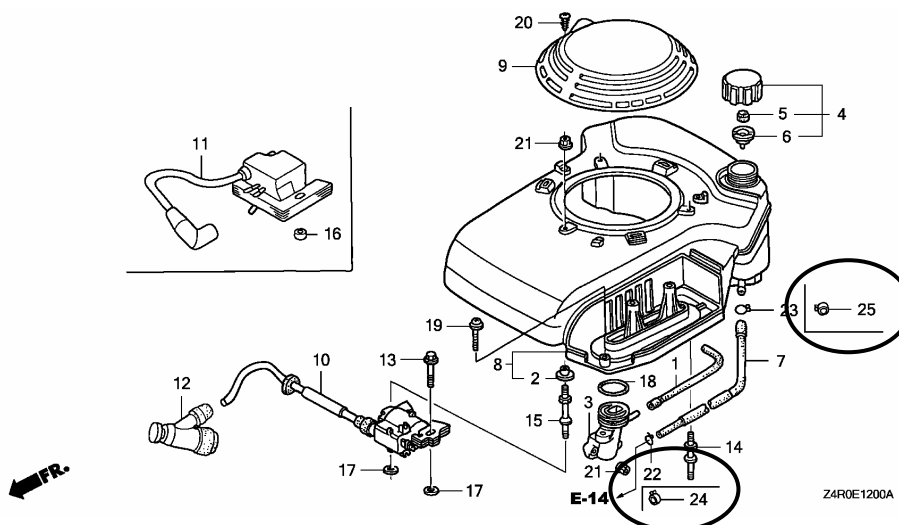
PARTS CATALOGUE - CORRECTED

Printed in Japan

CODE NO.	BOOKLET TYPE	13Z4R601
	MICRO-FICHE	13Z4R6EA/FA
PARTS CATALOGUE NEWS	GXV160UA1	
NEWS NO.	003	

Block No.	Ref. No.	Note	Part No.	Description	Reqd. QTY GXV 160 UA1	Serial No.	Parts catalogue code
-----------	----------	------	----------	-------------	--------------------------------	------------	----------------------

E-12 FAN COVER



E-12	7		17700-ZE7-W00	TUBE ASSY., FUEL TANK	1	----- 1001150	
------	---	--	---------------	-----------------------------	---	---------------	--

NOTE A:PART NO. CHANGE D:NEWLY PROVIDED E:PART NO.DELETION K:REQUIRED NO. CORRECTION L:APPLICATION SERIAL NO. CORRECTION
T:APPLICATION CORRECTION Z:REMARKS CHANGE

PARTS CATALOGUE NEWS

BOOKNo. : 13Z4R601

Block No.	Ref. No.	Note	Part No.	Description	Reqd. QTY	Serial No.	Parts catalogue code
					GXY 160 UA1		
		A	17700-24R-W00	TUBE ASSY., FUEL TANK (FKM) ..	1	1001151	
	22	L	95002-02080	CLIP, TUBE (B8)	1	----- 1001150	
	23	L	95002-50000	CLIP, TUBE (C9)	1	----- 1001150	
	24	D	95002-40800-08	CLAMP, TUBE (D8)	1	1001151	
	25	D	95002-40850-08	CLAMP, TUBE (D8.5)	1	1001151	

NOTE A:PART NO. CHANGE D:NEWLY PROVIDED E:PART NO.DELETION K:REQUIRED NO. CORRECTION L:APPLICATION SERIAL NO. CORRECTION
T:APPLICATION CORRECTION Z:REMARKS CHANGE



PARTS CATALOGUE NEWS

Honda Motor Co., Ltd. Service Division

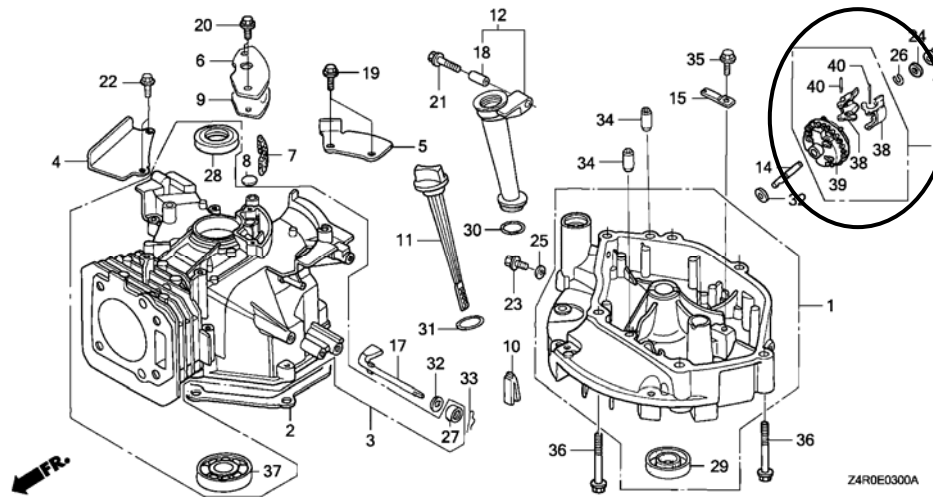
PARTS CATALOGUE - CORRECTED

Printed in Japan

CODE NO.	BOOKLET TYPE	13Z4R601
	MICRO-FICHE	13Z4R6EA/FA
PARTS CATALOGUE NEWS	GXV160UA1	
NEWS NO.	004	

Block No.	Ref. No.	Note	Part No.	Description	Reqd. QTY GXV 160 UA1	Serial No.	Parts catalogue code
-----------	----------	------	----------	-------------	--------------------------------	------------	----------------------

E-3 CYLINDER BARREL



E-3	38	D	16511-ZE1-000	WEIGHT, GOVERNOR	2		
-----	----	---	---------------	------------------------	---	--	--

NOTE A:PART NO. CHANGE D:NEWLY PROVIDED E:PART NO.DELETION K:REQUIRED NO. CORRECTION L:APPLICATION SERIAL NO. CORRECTION
T:APPLICATION CORRECTION Z:REMARKS CHANGE

PARTS CATALOGUE NEWS

BOOKNo. : 13Z4R601

Block No.	Ref. No.	Note	Part No.	Description	Reqd. QTY	Serial No.	Parts catalogue code
	39	D	16512-ZE6-000	HOLDER, GOVERNOR WEIGHT	1		
	40	D	16513-ZE1-000	PIN, GOVERNOR WEIGHT	2		

NOTE A:PART NO. CHANGE D:NEWLY PROVIDED E:PART NO.DELETION K:REQUIRED NO. CORRECTION L:APPLICATION SERIAL NO. CORRECTION
T:APPLICATION CORRECTION Z:REMARKS CHANGE