

This catalog covers:  
**FD731V-□S01**

GRID NO. This grid covers:  
**A-01** TITLE

# PARTS CATALOG

4-STROKE ENGINE

**FD731V**

PRODUCT CODE	NOTE
FD731V-AS01	ZTR

# PARTS CATALOG INTRODUCTION

This parts catalog lists parts and sub-assemblies provided as service parts.

When it becomes necessary to replace parts, always use KAWASAKI GENUINE PARTS which have passed strict inspection which guarantees quality and performance.

## 1. HOW TO ORDER PARTS

- When ordering the parts, be sure to use the parts catalog corresponding to the product code. Check the product revision codes on the product and the catalog.  
Product Code (example) : FA130D-AA00  
Product Revision Code
- Specify the part code (all digits) exactly as listed in this catalog on your parts order.
- The parts not shown in the illustrations of this catalog are not sold separately; only the complete units or next higher assemblies illustrated are supplied as the service parts.

## 2. EXPLANATION OF PARTS CATALOG FORMAT

Ref. No.	Part No.	Description	Quantity	
			A	B
11004	11004-7001	GASKET-HEAD	2	2
11008	11008-7001	HEAD-COMP-CYLINDER#1	1	1
11008A	11008-7002	HEAD-COMP-CYLINDER#2	1	1
11022	11022-7001	CASE-ROCKER	2	2
11060	11060-7001	GASKET,ROCKER CASE	2	2
11060A	11060-7008	GASKET,CRANKCASE COVER	1	1
11060B	11060-7015	GASKET,BREATHER	1	1
13271	13271-7016	PLATE	1	1
13271A	13271-7016	PLATE	1	1
14690	14690-7001	COVER,BREATHER	1	1
49015	49015-6215	COVER,CRANKCASE	1	1
49109	49109-7002	ELEMENT-BREATHER	1	1
49120	49120-6119	CRANKCASE-COMP	1	1
92033	92033-7003	RING-SNAP	2	2
92043	92043-7001	PIN	6	6
92049	92049-7001	SEAL-OIL	4	4
92049A	92049-7002	SEAL-OIL	1	1
92049B	92049-7004	SEAL-OIL	1	1
92049C	92049-7005	SEAL-OIL	1	1
130	130B0612	BOLT-FLANGED	4	4
130A	130B0640	BOLT-FLANGED	4	4
130B	130T0650	BOLT-FLANGED	17	17
130C	130T0875	BOLT-FLANGED	2	2
172	172G0818	BOLT-STUD	4	4

### 1) Product Code

This code describes the product code covered by this catalog. The product revision code, which is a part of the product code, is omitted.

### 2) Part Group Title

This title is the representative name for the group of parts illustrated on the page.

### 3) Reference Number

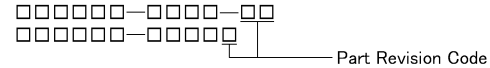
The reference numbers are shown on the illustration and the list as the link between them.

## 4) Part Number

This is the key of your parts ordering.

Three kinds of part number are used in this catalog.

### a. Structure 1

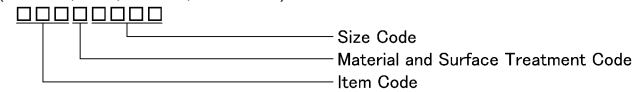


### b. Structure 2



### c. Standard Hardware Number

(for bolts, nuts, washer, or the like)



## 5) Description and Additional Information

The part name, the location, the size, and the serial number as additional information, etc. are described here. Use them to find out and check the part required.

When a part number is changed without change of the product revision code and the changed parts are not interchangeable, the serial number of the product is noted as follows;

- ( FA130 - 100001 ) : Affected units are from beginning of the product of the product code up to and including this serial number.
- ( FA130 - 100002 - ) : Affected units are from this serial number and above.
- ( FA130 - 100002 - FA130 - 110001 ) : Affected units are in this serial number range.

## 6) Quantity

The figure shows quantity of the part required at the indicated position on the illustration and for the specified product revision code.

The asterisk (\*) on this column means the part can be used as the substitute on the product and is supplied until the stock is exhausted.

Note:Some small parts will be supplied by units.

Example: If six (6) bolts are ordered and the minimum quantity per unit is five (5), two (2), units of the bolt will be delivered.

## 7) Product Revision Code

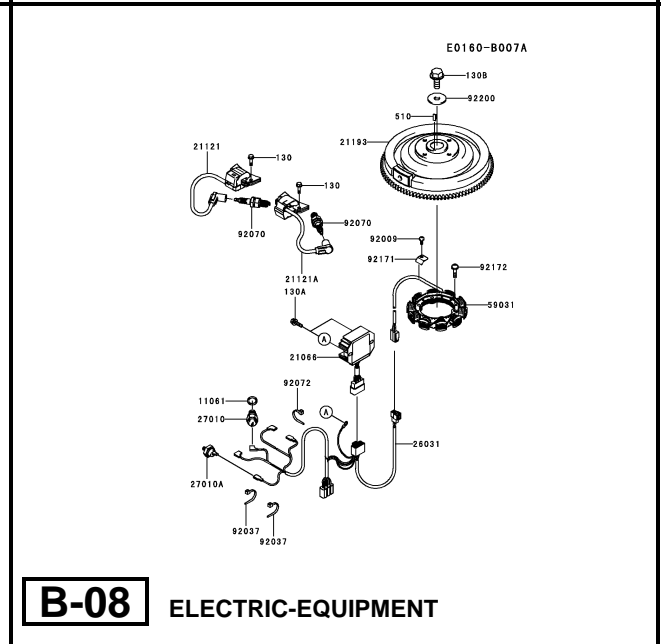
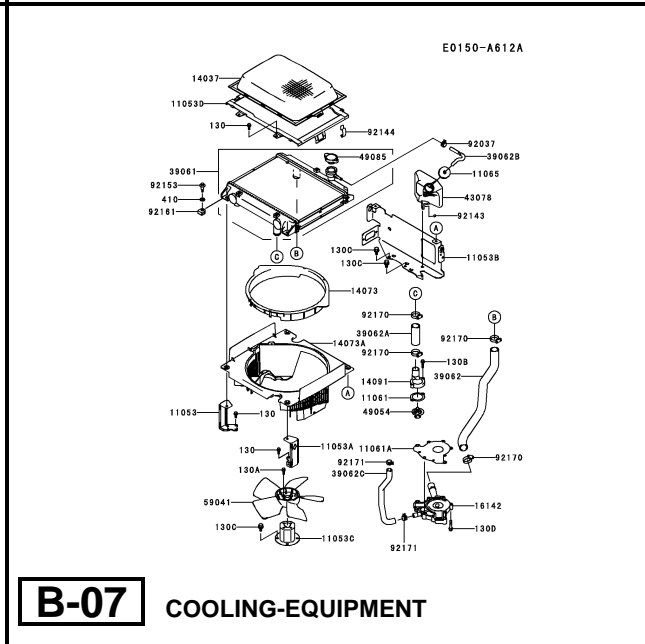
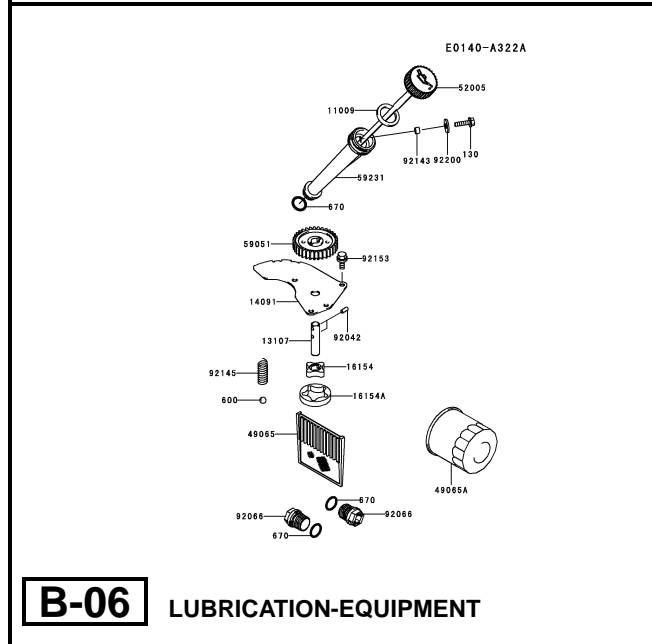
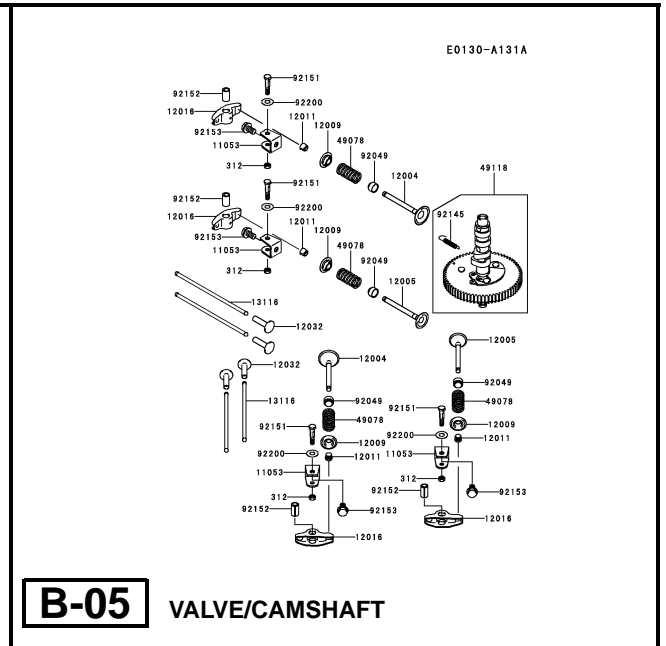
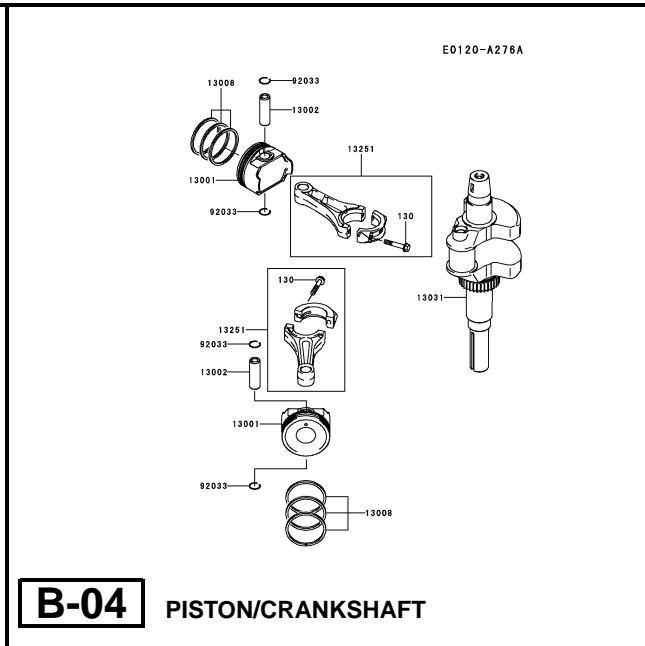
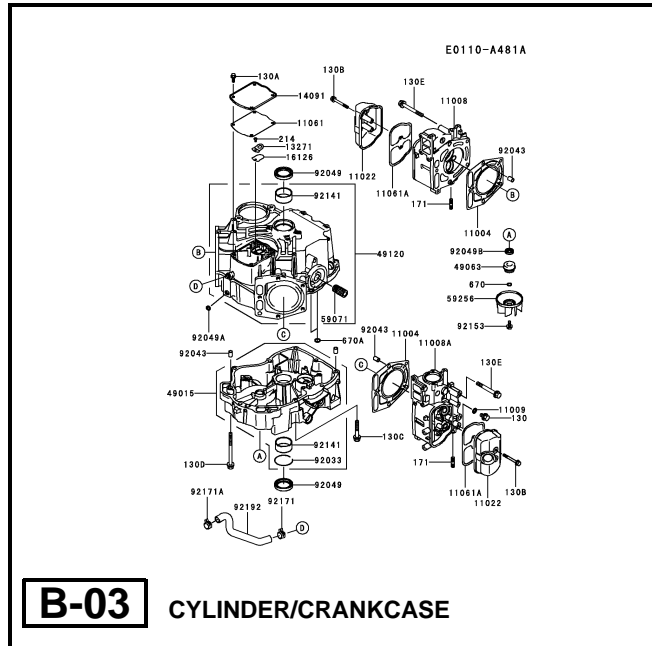
This Code indicates an important change which affects the service parts interchangeability.

## 3. ABBREVIATIONS

#.....Number	FR.....Front	RH.....Right Hand
&.....And	G.....Gram	RPM.....Revolutions Per Minute
(+ ).....Plus	HEX.....Hexagonal	RR.....Rear
(- ).....Minus	ID=.....Inside Diameter	STD.....Standard
2ND.....Second	IN.....Inch	T.....Teeth
3RD.....Third	L=.....Length	T=.....Thickness
4TH.....Fourth	LH.....Left Hand	U/S.....Under Size
A.....Ampere	LWR.....Lower	UPP.....Upper
AR.....As Required	MM.....Millimeter	V.....Volt
ASSY.....Assembly	O/S.....Over Size	W.....Watt
CNT.....Center	OD=.....Outside Diameter	
COMP.....Complete	REF.....Reference	

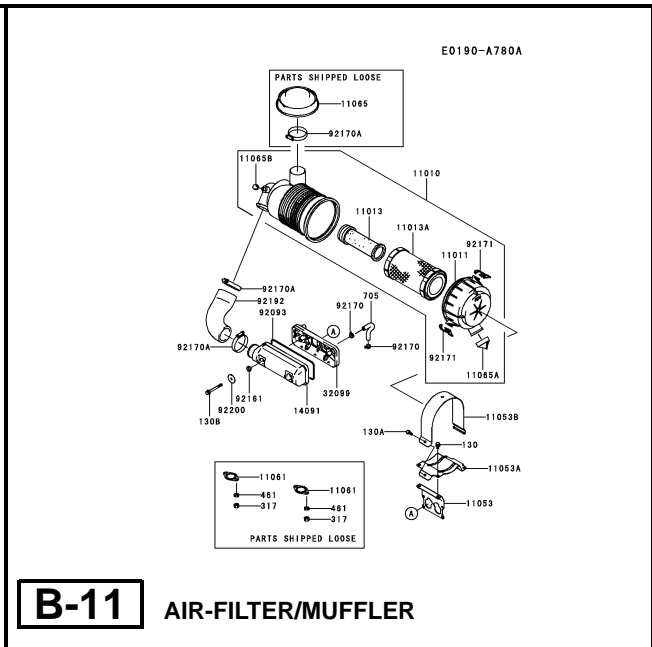
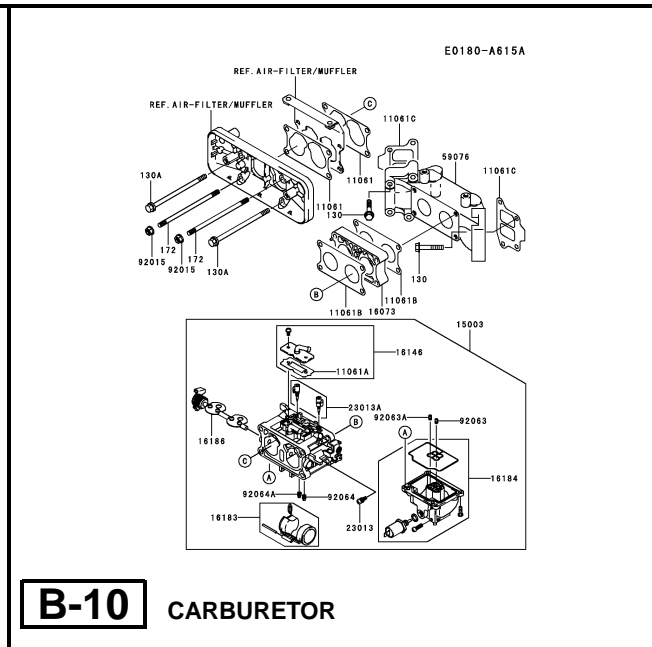
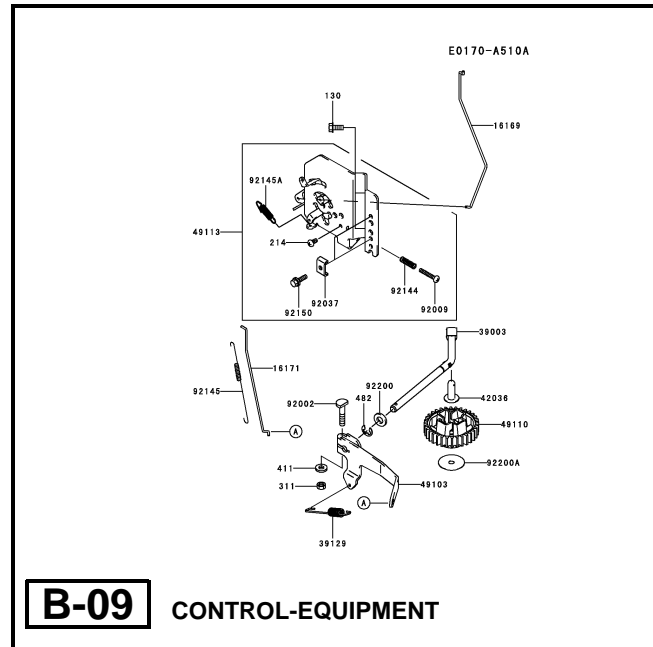
This catalog covers:  
FD731V- □ S01

GRID NO. This grid covers:  
**B-01** PICTORIAL INDEX



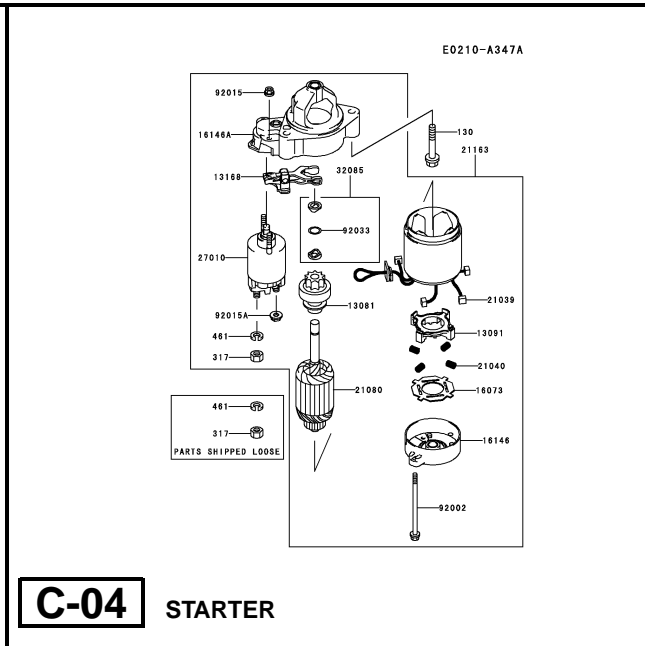
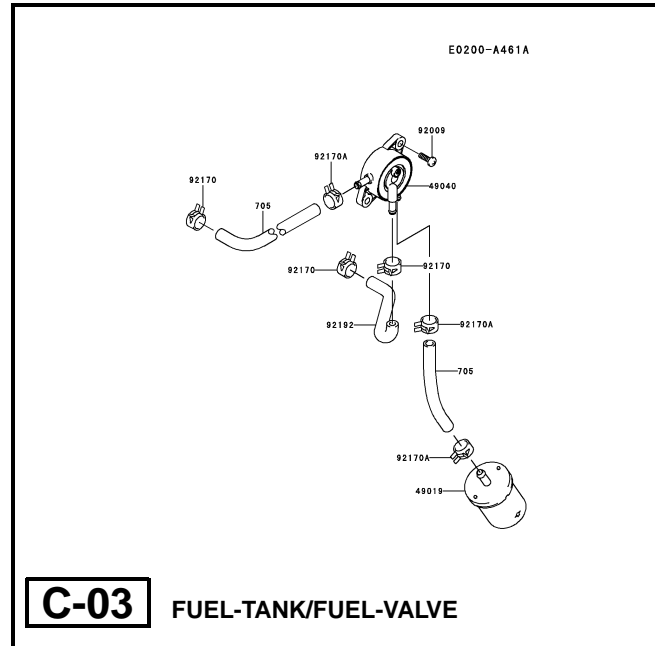
This catalog covers:  
FD731V- □ S01

GRID NO. This grid covers:  
**B-02** PICTORIAL INDEX



This catalog covers:  
**FD731V- □ S01**

GRID NO. This grid covers:  
**C-01 PICTORIAL INDEX**



This catalog covers:

**FD731V-**  **S01**

GRID NO.

**D-01**

This grid covers:

**PICTORIAL INDEX**

F0290-B174A

56033



56070



56080



**D-03**

LABEL

This catalog covers:

FD731V- □ S01

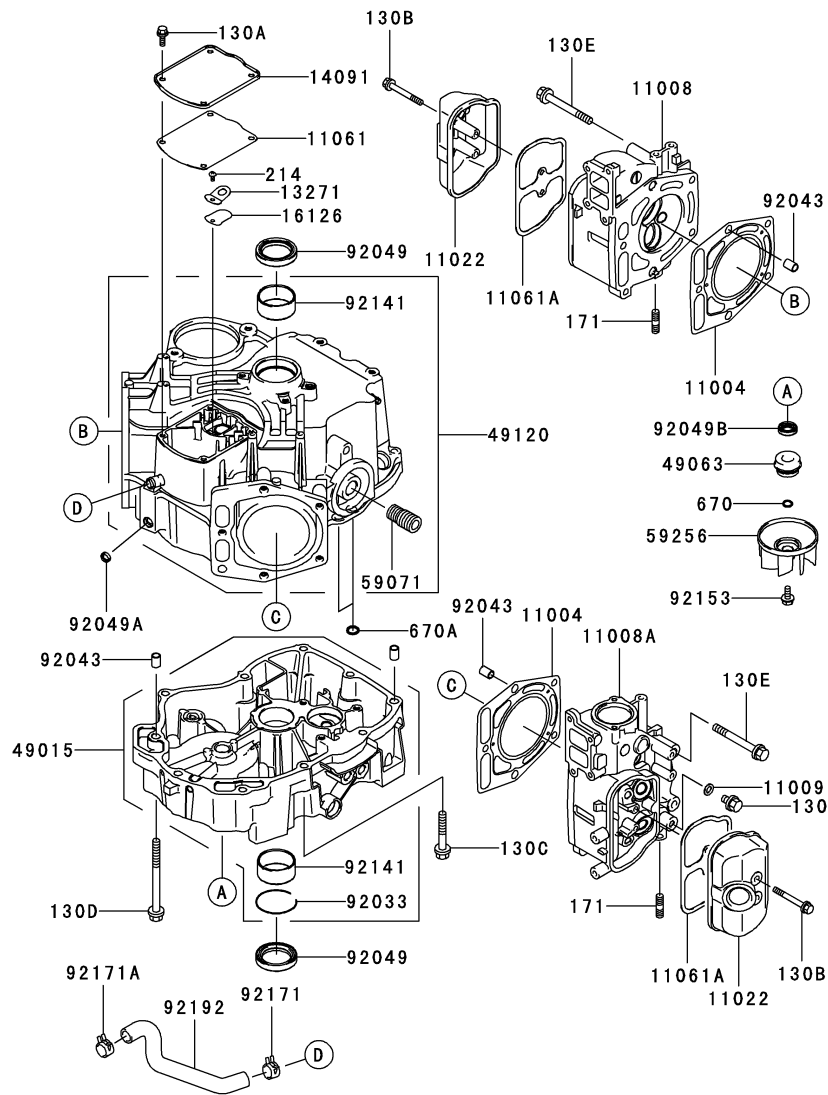
GRID NO.

**B-03**

This grid covers:

**CYLINDER/CRANKCASE**

E0110-A481A



Ref. No.	Part No.	Description	Quantity
11004	11004-2144	GASKET-HEAD	2
11008	11008-2163	HEAD-COMP-CYLINDER	1
11008A	11008-2164	HEAD-COMP-CYLINDER	1
11009	11009-2161	GASKET	1
11022	11022-2078	CASE-ROCKER	2
11061	11061-2127	GASKET,BREATHER COVER	1
11061A	11061-2137	GASKET,CASE-ROCKER	2
13271	13271-2230	PLATE,BREATHER	1
14091	14091-2112	COVER,BREATHER COVER	1
16126	16126-2239	VALVE,BREATHER	1
49015	49015-6273	COVER-CRANKCASE	1
49063	49063-1055	SEAL-MECHANICAL	1
49120	49120-6157	CRANKCASE-COMP	1
59071	59071-2079	JOINT	1
59256	59256-2070	IMPELLER	1
92033	92033-2195	RING-SNAP	1
92043	92043-1037	PIN	6
92049	92049-2254	SEAL-OIL,35X48X8	2
92049A	92049-2255	SEAL-OIL,VC 8X12X2.5	1
92049B	92049-2257	SEAL-OIL,12X22X5	1
92141	92141-2121	BEARING-PLANE	2
92153	92153-0009	BOLT,6X12	1
92171	92171-0332	CLAMP	1
92171A	92171-2056	CLAMP	1
92192	92192-2071	TUBE,BREATHER	1
130	130B0812	BOLT-FLANGED	1
130A	130G0612	BOLT-FLANGED	4
130B	130G0650	BOLT-FLANGED	4
130C	130G0850	BOLT-FLANGED	7
130D	130T08100	BOLT-FLANGED	3
130E	130T0870	BOLT-FLANGED	10
171	171G0818	BOLT-STUD	4
214	214B0408	SCREW-PAN+	1
670	670B1509	O RING	1
670A	670B2011	O RING,11MM	2

This catalog covers:

**FD731V- □ S01**

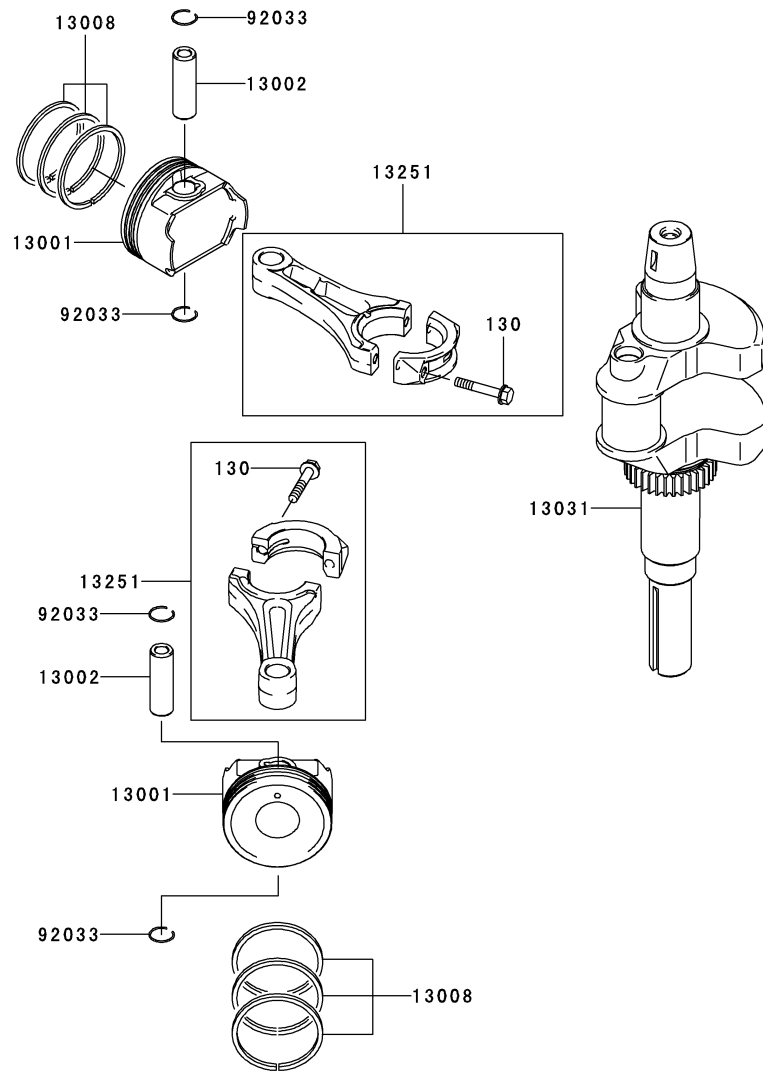
GRID NO.

**B-04**

This grid covers:

**PISTON/CRANKSHAFT**

E0120-A276A



Ref. No.	Part No.	Description	Quantity
13001	13001-2158	PISTON-ENGINE	2
13002	13002-2085	PIN-PISTON	2
13008	13008-2062	RING-SET-PISTON	2
13031	13031-2121	CRANKSHAFT-COMP	1
13251	13251-2071	ROD-ASSY-CONNECTING	2
92033	92033-2193	RING-SNAP	4
130	130T0635	BOLT-FLANGED,6X35	4



This catalog covers:

**FD731V- □ S01**

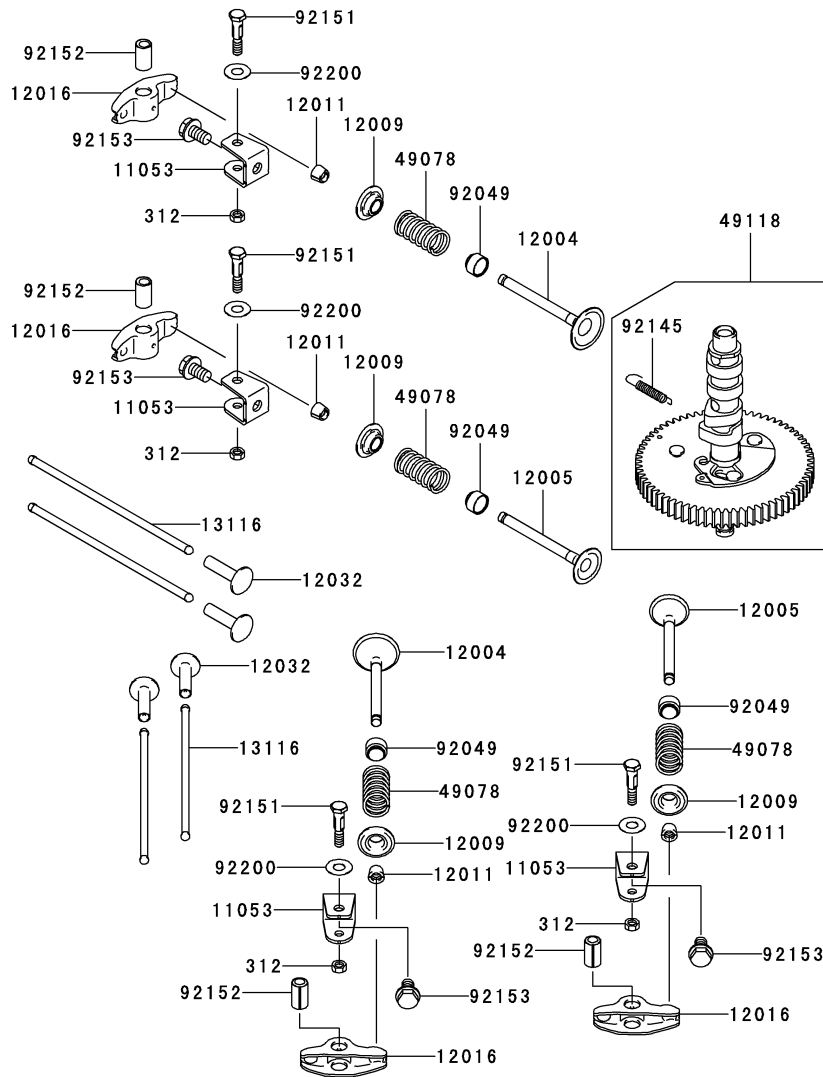
GRID NO.

**B-05**

This grid covers:

**VALVE/CAMSHAFT**

E0130-A131A



Ref. No.	Part No.	Description	Quantity
11053	11053-2096	BRACKET,ARM-ROCKER	4
12004	12004-2117	VALVE-INTAKE	2
12005	12005-2103	VALVE-EXHAUST	2
12009	12009-2060	RETAINER-VALVE SPRING	4
12011	12011-2052	COLLET	8
12016	12016-2066	ARM-ROCKER	4
12032	12032-2073	TAPPET	4
13116	13116-2074	ROD-PUSH	4
49078	49078-2087	SPRING-ENGINE VALVE	4
49118	49118-2151	CAMSHAFT-COMP	1
92049	92049-2100	SEAL-OIL,VSB 7X12X5.5X9.7	4
92145	92145-2131	SPRING	1
92151	92151-2165	BOLT,M6	4
92152	92152-2077	COLLAR	4
92153	92153-2098	BOLT,8X14	4
92200	92200-2151	WASHER,8.1X18X0.5	4
312	312B0600	NUT-HEX	4

This catalog covers:

FD731V- □ S01

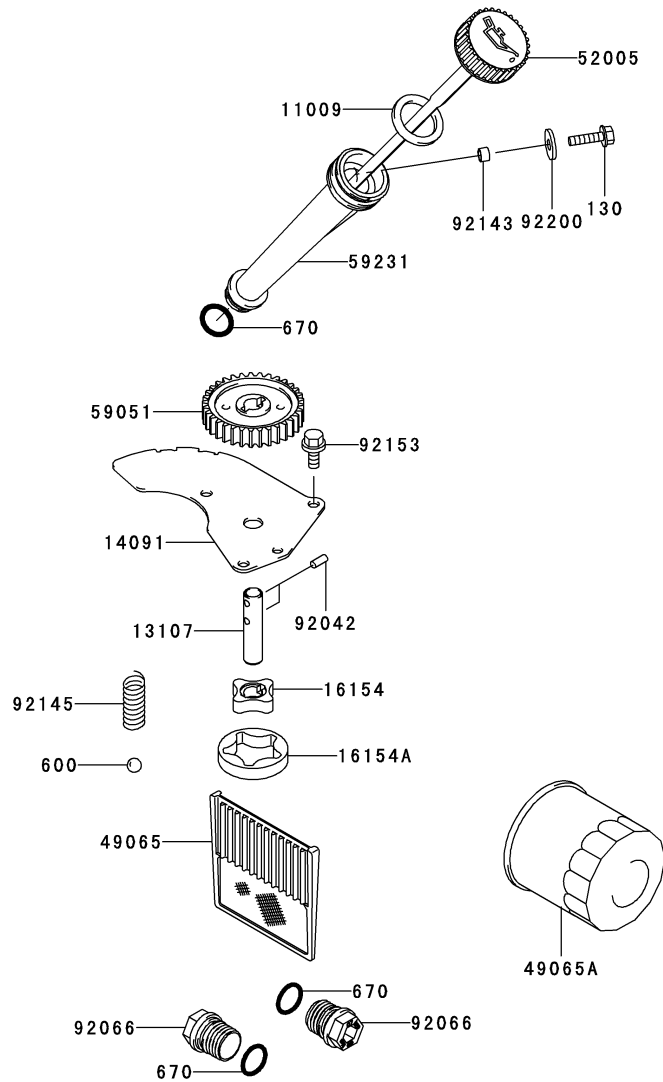
GRID NO.

**B-06**

This grid covers:

**LUBRICATION-EQUIPMENT**

E0140-A322A



Ref. No.	Part No.	Description	Quantity
11009	11009-2346	GASKET,OIL GAUGE	1
13107	13107-2296	SHAFT,OIL PUMP	1
14091	14091-2113	COVER	1
16154	16154-2053	ROTOR-PUMP,IN	1
16154A	16154-2054	ROTOR-PUMP,OUT	1
49065	49065-2085	FILTER-OIL	1
49065A	49065-2086	FILTER-OIL	1
52005	52005-2150	GAUGE,OIL LEVEL	1
59051	59051-2371	GEAR-SPUR	1
59231	59231-2096	FILLER	1
92042	92042-014	PIN	2
92066	92066-2250	PLUG	2
92143	92143-2182	COLLAR,6.2X7.8X5	1
92145	92145-2132	SPRING	1
92153	92153-2109	BOLT,6X14	3
92200	92200-2037	WASHER,6.5X18X2.0	1
130	130B0620	BOLT-FLANGED	1
600	600A1300	BALL-STEEL	1
670	670D2016	O RING,16MM	3

This catalog covers:

**FD731V- □ S01**

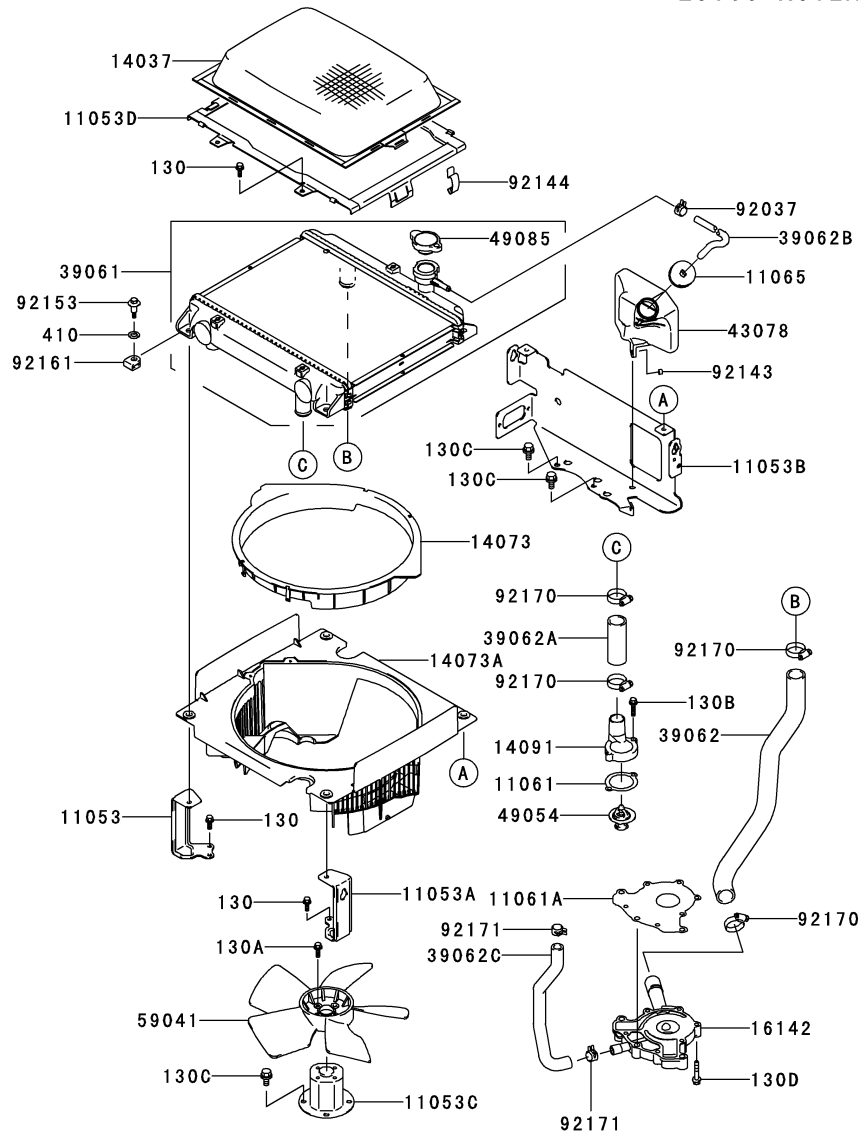
GRID NO.

**B-07**

This grid covers:

**COOLING-EQUIPMENT**

E0150-A612A



Ref. No.	Part No.	Description	Quantity
11053	11053-2076-9H	BRACKET	1
11053A	11053-2077-9H	BRACKET	1
11053B	11053-2078-9H	BRACKET	1
11053C	11053-2079	BRACKET	1
11053D	11053-2104-9H	BRACKET	1
11061	11061-2131	GASKET	1
11061A	11061-2146	GASKET,COVER-PUMP	1
11065	11065-2110	CAP	1
14037	14037-2146-9H	SCREEN	1
14073	14073-2079	DUCT	1
14073A	14073-2081	DUCT	1
14091	14091-2114	COVER	1
16142	16142-2080	COVER-PUMP	1
39061	39061-2070	RADIATOR-ASSY	1
39062	39062-2093	HOSE-COOLING	1
39062A	39062-2094	HOSE-COOLING	1
39062B	39062-2095	HOSE-COOLING	1
39062C	39062-2096	HOSE-COOLING	1
43078	43078-2056	RESERVOIR	1
49054	49054-2053	THERMOSTAT	1
49085	49085-2055	CAP-ASSY-PRESSURE	1
59041	59041-2096	FAN	1
92037	92037-2001	CLAMP	1
92143	92143-2182	COLLAR,6.2X7.8X5	1
92144	92144-2346	SPRING	1
92153	92153-2104	BOLT	4
92161	92161-2054	DAMPER,RADIATOR,UPP	4
92170	92170-1284	CLAMP	4
92171	92171-2056	CLAMP	2
130	130B0612	BOLT-FLANGED	7
130A	130B0614	BOLT-FLANGED	4
130B	130B0625	BOLT-FLANGED	2
130C	130B0816	BOLT-FLANGED	6
130D	130G0635	BOLT-FLANGED	6
410	410B1000	W-PLAIN-S	4

This catalog covers:

**FD731V- □ S01**

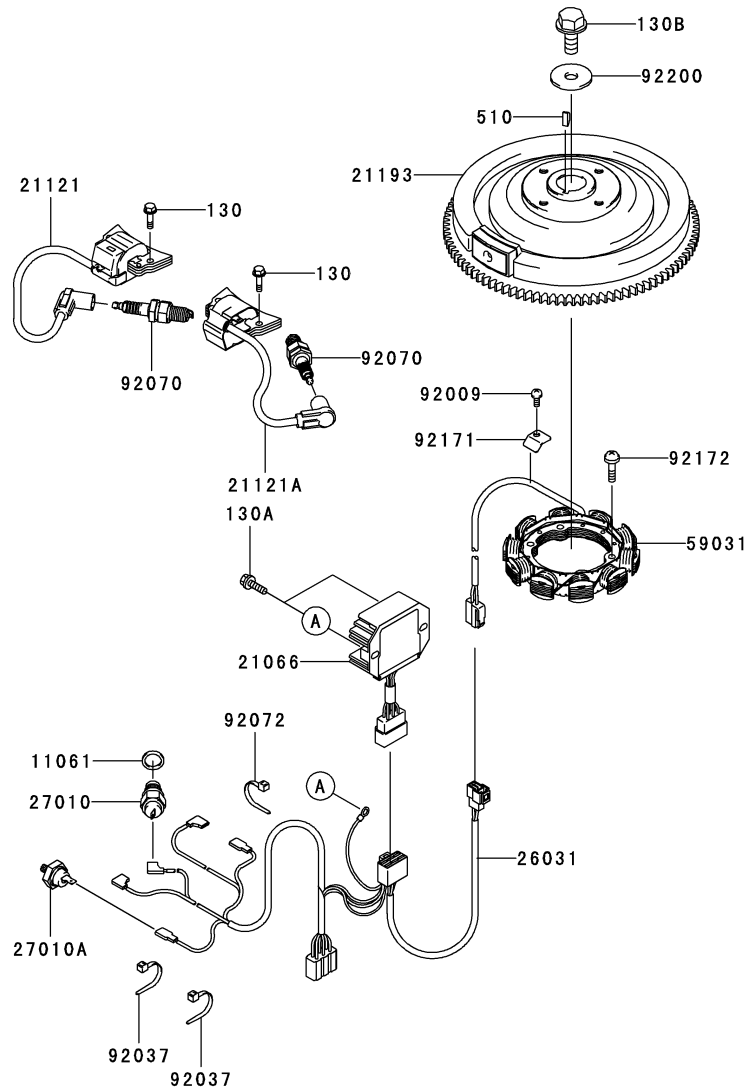
GRID NO.

**B-08**

This grid covers:

**ELECTRIC-EQUIPMENT**

E0160-B007A



Ref. No.	Part No.	Description	Quantity
			A
11061	11061-2132	GASKET	1
21066	21066-2081	REGULATOR-VOLTAGE	1
21121	21121-2097	COIL-IGNITION	1
21121A	21121-2098	COIL-IGNITION	1
21193	21193-2190	FLYWHEEL-ASSY	1
26031	26031-2064	HARNESS	1
27010	27010-2182	SWITCH	1
27010A	27010-2232	SWITCH	1
59031	59031-2131	COIL-CHARGING	1
92009	92009-2308	SCREW	1
92037	92037-1173	CLAMP	2
92070	92070-2112	PLUG-SPARK,BPR4ES(NGK),SOLID	2
92072	92072-1195	BAND	1
92171	92171-2075	CLAMP	1
92172	92172-2078	SCREW,6X25	4
92200	92200-2119	WASHER,12.2X40X3.0	1
130	130B0520	BOLT-FLANGED	4
130A	130B0620	BOLT-FLANGED	2
130B	130G1230	BOLT-FLANGED	1
510	510A5100	KEY-WOODRUFF	1

This catalog covers:

FD731V- □ S01

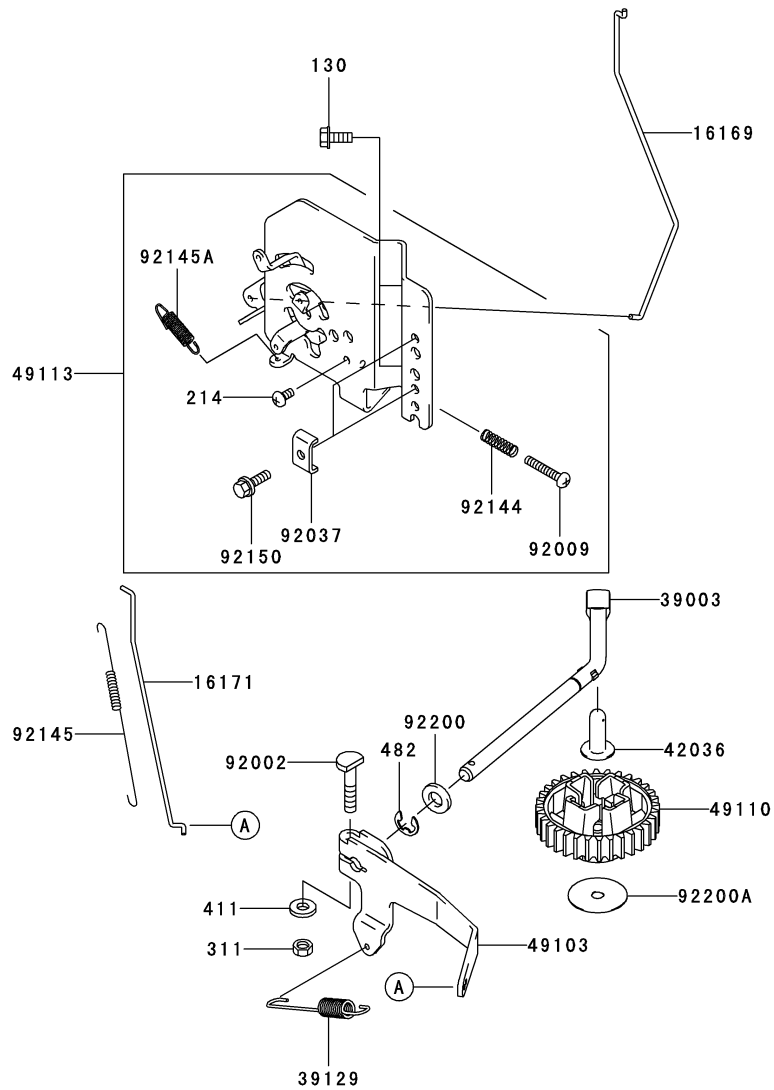
GRID NO.

**B-09**

This grid covers:

**CONTROL-EQUIPMENT**

E0170-A510A

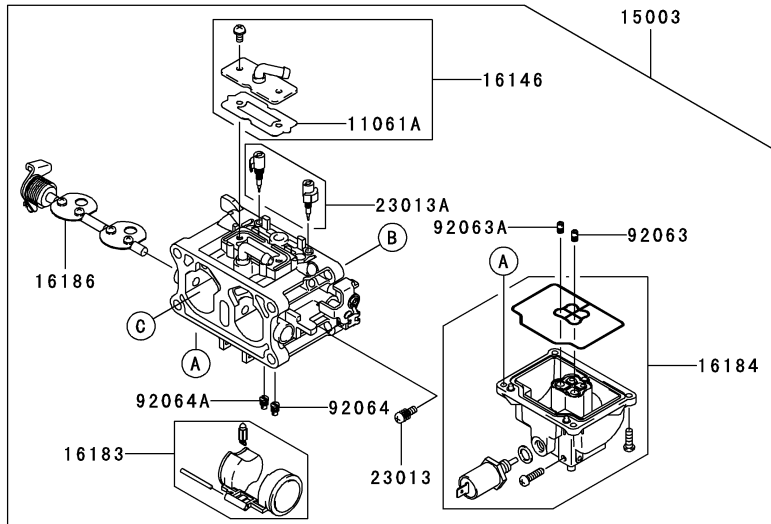
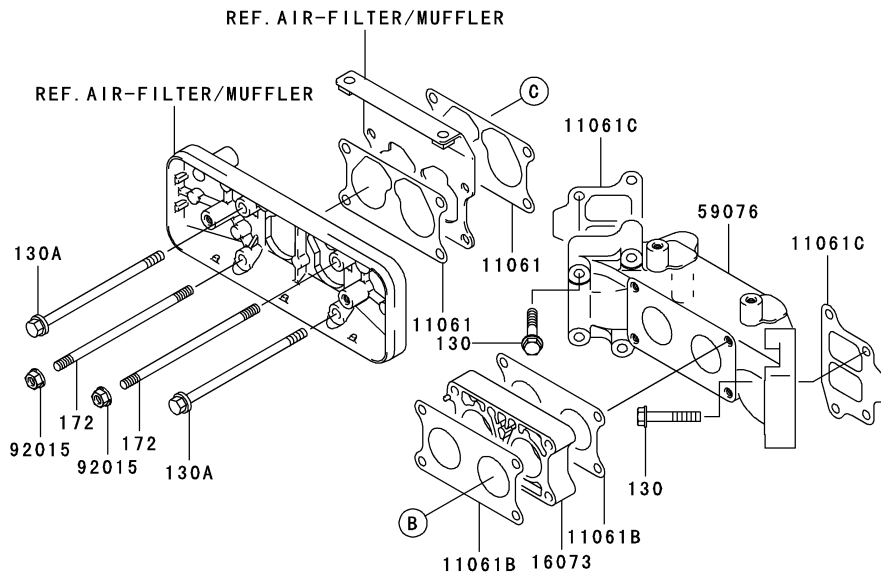


Ref. No.	Part No.	Description	Quantity
16169	16169-2147	LINK-CHOKE	1
16171	16171-2100	LINK	1
39003	39003-2093	ARM-PIVOT	1
39129	39129-2112	SPRING-GOVERNOR	1
42036	42036-2060	SLEEVE	1
49103	49103-2165	ARM-GOVERNOR	1
49110	49110-2099	GOVERNOR-ASSY	1
49113	49113-2194	PANEL-COMP-CONTROL	1
92002	92002-2269	BOLT	1
92009	92009-2113	SCREW	1
92037	92037-2209	CLAMP	2
92144	92144-2220	SPRING	1
92145	92145-2133	SPRING	1
92145A	92145-2145	SPRING	1
92150	92150-2182	BOLT,5X18	2
92200	92200-2120	WASHER,8.3X16X2.3	1
92200A	92200-2152	WASHER,6.2X30X0.5	1
130	130B0614	BOLT-FLANGED	2
214	214B0408	SCREW-PAN+-	1
311	311B0600	NUT-HEX	1
411	411B0600	WASHER-PLAIN	1
482	482J7000	CIRCLIP-TYPE-E	1

This catalog covers:  
**FD731V- □ S01**

GRID NO. This grid covers:  
**B-10 CARBURETOR**

E0180-A615A



Ref. No.	Part No.	Description	Quantity
11061	11061-2075	GASKET,PIPE-INTAKE	2
11061A	11061-2091	GASKET,COVER	1
11061B	11061-2128	GASKET,MANIFOLD	2
11061C	11061-2152	GASKET,MANIFOLD	2
15003	15003-2898	CARBURETOR-ASSY	1
16073	16073-2224	INSULATOR	1
16146	16146-2227	COVER-ASSY	1
16183	16183-2006	FLOAT-ASSY	1
16184	16184-2011	CHAMBER-ASSY-FLOAT	1
16186	16186-2045	VALVE-ASSY-CHOKE	1
23013	23013-2064	SCREW-ASSY	1
23013A	23013-2068	SCREW-ASSY	1
59076	59076-2083	MANIFOLD-INTAKE	1
92015	92015-1193	NUT	2
92063	92063-2361	JET-MAIN,#120	1
92063A	92063-2374	JET-MAIN,#115A	1
92064	92064-2130	JET-PILOT,#50	1
92064A	92064-2143	JET-PILOT,#46.3	1
130	130B0635	BOLT-FLANGED	8
130A	130G06110	BOLT-FLANGED	2
172	172G06110	BOLT-STUD	2

This catalog covers:

FD731V- □ S01

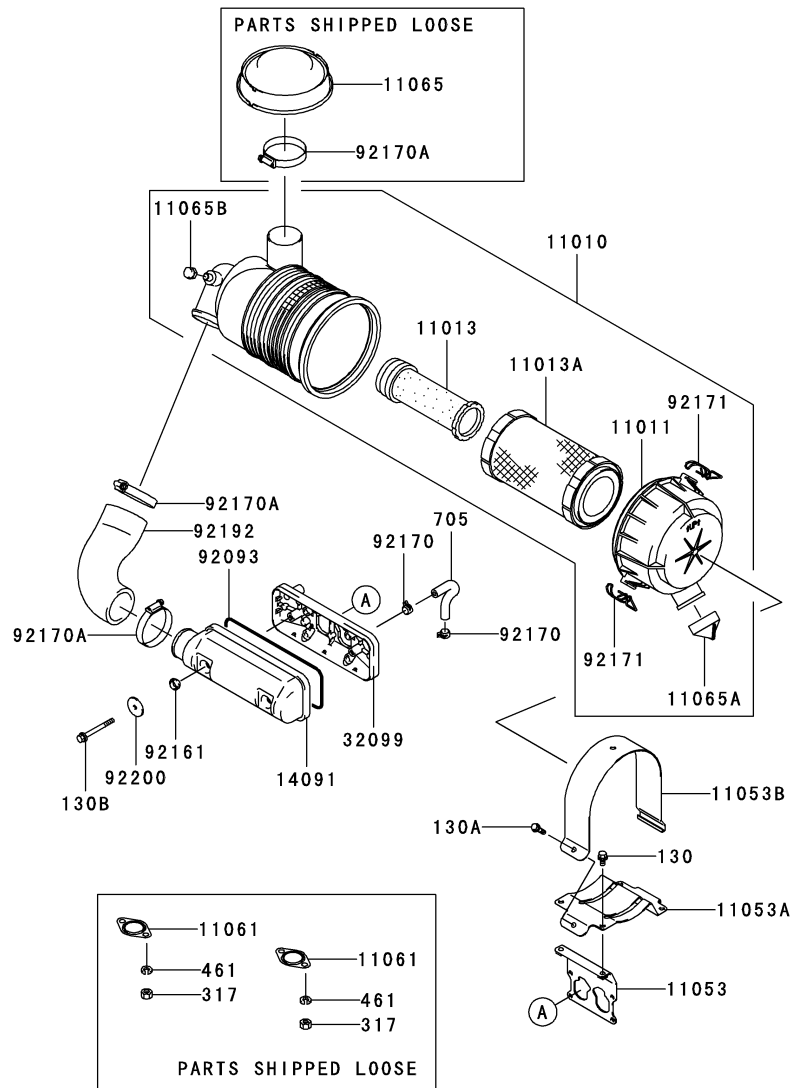
GRID NO.

**B-11**

This grid covers:

**AIR-FILTER/MUFFLER**

E0190-A780A



Ref. No.	Part No.	Description	Quantity
11010	11010-2574	FILTER-ASSY-AIR	1
11011	11011-7014	CASE-AIR FILTER	1
11013	11013-7019	ELEMENT-AIR FILTER	1
11013A	11013-7020	ELEMENT-AIR FILTER	1
11053	11053-2088	BRACKET	1
11053A	11053-2089	BRACKET	1
11053B	11053-2090	BRACKET	1
11061	11061-2126	GASKET,MUFFLER	2
11065	11065-7006	CAP	1
11065A	11065-7008	CAP	1
11065B	11065-7009	CAP	1
14091	14091-2106	COVER	1
32099	32099-6004	CASE	1
92093	92093-2115	SEAL	1
92161	92161-2058	DAMPER	2
92170	92170-2043	CLAMP	2
92170A	92170-2075	CLAMP	3
92171	92171-7009	CLAMP	2
92192	92192-2072	TUBE,CASE-FILTER	1
92200	92200-2144	WASHER	2
130	130B0612	BOLT-FLANGED	4
130A	130B0616	BOLT-FLANGED	1
130B	130G0660	BOLT-FLANGED	2
317	317R0800	NUT-HEX-SMALL	4
461	461F0800	WASHER-SPRING	4
705	705A061000	TUBE-BRAID	1

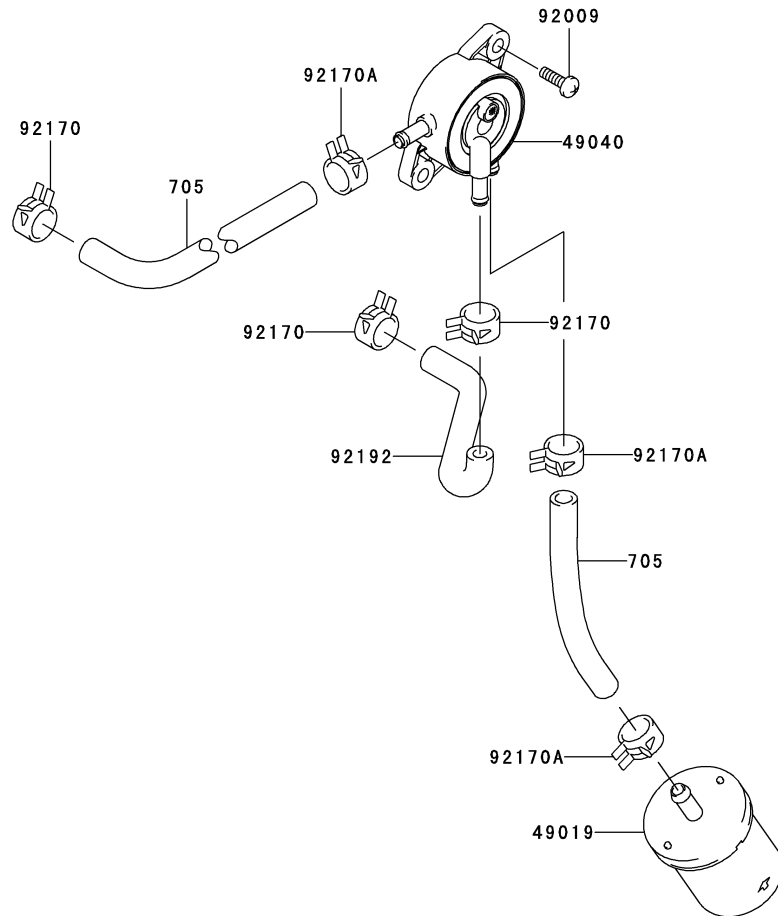
This catalog covers:  
**FD731V- □ S01**

GRID NO.  
**C-03**

This grid covers:  
**FUEL-TANK/FUEL-VALVE**

E0200-A461A

Ref. No.	Part No.	Description	Quantity
49019	49019-2115	FILTER-FUEL	1
49040	49040-7001	PUMP-FUEL	1
92009	92009-2303	SCREW	2
92170	92170-2043	CLAMP	3
92170A	92170-2082	CLAMP	3
92192	92192-2064	TUBE,PULSE	1
705	705A061000	TUBE-BRAID	2

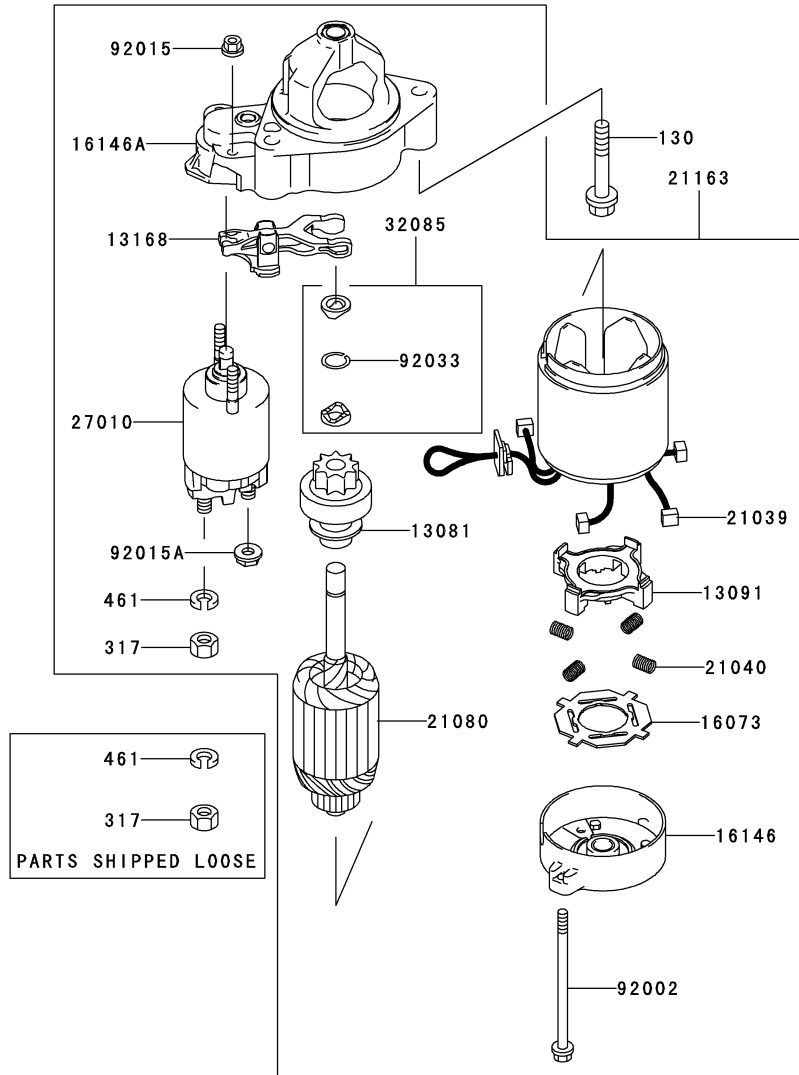




This catalog covers:  
**FD731V- □ S01**

GRID NO. This grid covers:  
**C-04 STARTER**

E0210-A347A



Ref. No.	Part No.	Description	Quantity
13081	13081-2108	CLUTCH-ASSY	1
13091	13091-2068	HOLDER, BRUSH	1
13168	13168-2148	LEVER, SHIFT	1
16073	16073-2098	INSULATOR	1
16146	16146-2077	COVER-ASSY	1
16146A	16146-2230	COVER-ASSY	1
21039	21039-2059	BRUSH	4
21040	21040-2052	SPRING-BRUSH	4
21080	21080-2054	ARMATURE	1
21163	21163-2125	STARTER-ELECTRIC	1
27010	27010-2235	SWITCH	1
32085	32085-2097	STOPPER	1
92002	92002-2277	BOLT	2
92015	92015-2146	NUT	2
92015A	92015-2147	NUT	1
92033	92033-2081	RING-SNAP	1
130	130B0850	BOLT-FLANGED	2
317	317B0800	NUT-HEX-SMALL	2
461	461F0800	WASHER-SPRING	2

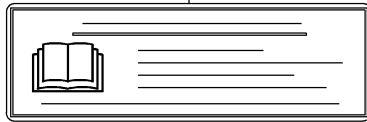
This catalog covers:  
**FD731V- □ S01**

GRID NO. This grid covers:  
**D-03 LABEL**

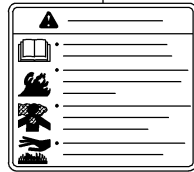
F0290-B174A

Ref. No.	Part No.	Description	Quantity
56033	56033-2078	LABEL-MANUAL	1
56070	56070-2066	LABEL-WARNING	1
56080	56080-2400	LABEL-BRAND	1

56033



56070



56080



This catalog covers:

**FD731V- □ S01**

GRID NO.

**H-09**

This grid covers:

---

## PART NAME INDEX

AIR-FILTER/MUFFLER.....	B-11
CARBURETOR.....	B-10
CONTROL-EQUIPMENT.....	B-09
COOLING-EQUIPMENT.....	B-07
CYLINDER/CRANKCASE.....	B-03
ELECTRIC-EQUIPMENT.....	B-08
FUEL-TANK/FUEL-VALVE.....	C-03
LABEL.....	D-03
LUBRICATION-EQUIPMENT.....	B-06
PISTON/CRANKSHAFT.....	B-04
STARTER.....	C-04
VALVE/CAMSHAFT.....	B-05

This catalog covers:

**FD731V-**  **S01**

GRID NO.

**H-10**

This grid covers:

**NUMERICAL PARTS INDEX**

Part No.	Grid No.	Part No.	Grid No.	Part No.	Grid No.	Part No.	Grid No.	Part No.	Grid No.
11004-2144.....	B-03	130G0635.....	B-07	39061-2070.....	B-07	92043-1037.....	B-03		
11008-2163.....	B-03	130G0650.....	B-03	39062-2093.....	B-07	92049-2100.....	B-05		
11008-2164.....	B-03	130G0660.....	B-11	39062-2094.....	B-07	92049-2254.....	B-03		
11009-2161.....	B-03	130G0850.....	B-03	39062-2095.....	B-07	92049-2255.....	B-03		
11009-2346.....	B-06	130G1230.....	B-08	39062-2096.....	B-07	92049-2257.....	B-03		
11010-2574.....	B-11	130T0635.....	B-04	39129-2112.....	B-09	92063-2361.....	B-10		
11011-7014.....	B-11	130T08100.....	B-03	410B1000.....	B-07	92063-2374.....	B-10		
11013-7019.....	B-11	130T0870.....	B-03	411B0600.....	B-09	92064-2130.....	B-10		
11013-7020.....	B-11	13107-2296.....	B-06	42036-2060.....	B-09	92064-2143.....	B-10		
11022-2078.....	B-03	13116-2074.....	B-05	43078-2056.....	B-07	92066-2250.....	B-06		
11053-2076-9H.....	B-07	13168-2148.....	C-04	461F0800.....	B-11	92070-2112.....	B-08		
11053-2077-9H.....	B-07	13251-2071.....	B-04	461F0800.....	C-04	92072-1195.....	B-08		
11053-2078-9H.....	B-07	13271-2230.....	B-03	482J7000.....	B-09	92093-2115.....	B-11		
11053-2079.....	B-07	14037-2146-9H.....	B-07	49015-6273.....	B-03	92141-2121.....	B-03		
11053-2088.....	B-11	14073-2079.....	B-07	49019-2115.....	C-03	92143-2182.....	B-06		
11053-2089.....	B-11	14073-2081.....	B-07	49040-7001.....	C-03	92143-2182.....	B-07		
11053-2090.....	B-11	14091-2106.....	B-11	49054-2053.....	B-07	92144-2220.....	B-09		
11053-2096.....	B-05	14091-2112.....	B-03	49063-1055.....	B-03	92144-2346.....	B-07		
11053-2104-9H.....	B-07	14091-2113.....	B-06	49065-2085.....	B-06	92145-2131.....	B-05		
11061-2075.....	B-10	14091-2114.....	B-07	49065-2086.....	B-06	92145-2132.....	B-06		
11061-2091.....	B-10	15003-2898.....	B-10	49078-2087.....	B-05	92145-2133.....	B-09		
11061-2126.....	B-11	16073-2098.....	C-04	49085-2055.....	B-07	92145-2145.....	B-09		
11061-2127.....	B-03	16073-2224.....	B-10	49103-2165.....	B-09	92150-2182.....	B-09		
11061-2128.....	B-10	16126-2239.....	B-03	49110-2099.....	B-09	92151-2165.....	B-05		
11061-2131.....	B-07	16142-2080.....	B-07	49113-2194.....	B-09	92152-2077.....	B-05		
11061-2132.....	B-08	16146-2077.....	C-04	49118-2151.....	B-05	92153-0009.....	B-03		
11061-2137.....	B-03	16146-2227.....	B-10	49120-6157.....	B-03	92153-2098.....	B-05		
11061-2146.....	B-07	16146-2230.....	C-04	510A5100.....	B-08	92153-2104.....	B-07		
11061-2152.....	B-10	16154-2053.....	B-06	52005-2150.....	B-06	92153-2109.....	B-06		
11065-2110.....	B-07	16154-2054.....	B-06	56033-2078.....	D-03	92161-2054.....	B-07		
11065-7006.....	B-11	16169-2147.....	B-09	56070-2066.....	D-03	92161-2058.....	B-11		
11065-7008.....	B-11	16171-2100.....	B-09	56080-2400.....	D-03	92170-1284.....	B-07		
11065-7009.....	B-11	16183-2006.....	B-10	59031-2131.....	B-08	92170-2043.....	B-11		
12004-2117.....	B-05	16184-2011.....	B-10	59041-2096.....	B-07	92170-2043.....	C-03		
12005-2103.....	B-05	16186-2045.....	B-10	59051-2371.....	B-06	92170-2075.....	B-11		
12009-2060.....	B-05	171G0818.....	B-03	59071-2079.....	B-03	92170-2082.....	C-03		
12011-2052.....	B-05	172G06110.....	B-10	59076-2083.....	B-10	92171-0332.....	B-03		
12016-2066.....	B-05	21039-2059.....	C-04	59231-2096.....	B-06	92171-2056.....	B-03		
12032-2073.....	B-05	21040-2052.....	C-04	59256-2070.....	B-03	92171-2056.....	B-07		
13001-2158.....	B-04	21066-2081.....	B-08	600A1300.....	B-06	92171-2075.....	B-08		
13002-2085.....	B-04	21080-2054.....	C-04	670B1509.....	B-03	92171-7009.....	B-11		
13008-2062.....	B-04	21121-2097.....	B-08	670B2011.....	B-03	92172-2078.....	B-08		
13031-2121.....	B-04	21121-2098.....	B-08	670D2016.....	B-06	92192-2064.....	C-03		
13081-2108.....	C-04	21163-2125.....	C-04	705A061000.....	B-11	92192-2071.....	B-03		
13091-2068.....	C-04	21193-2190.....	B-08	705A061000.....	C-03	92192-2072.....	B-11		
130B0520.....	B-08	214B0408.....	B-03	92002-2269.....	B-09	92200-2037.....	B-06		
130B0612.....	B-07	214B0408.....	B-09	92002-2277.....	C-04	92200-2119.....	B-08		
130B0612.....	B-11	23013-2064.....	B-10	92009-2113.....	B-09	92200-2120.....	B-09		
130B0614.....	B-07	23013-2068.....	B-10	92009-2303.....	C-03	92200-2144.....	B-11		
130B0614.....	B-09	26031-2064.....	B-08	92009-2308.....	B-08	92200-2151.....	B-05		
130B0616.....	B-11	27010-2182.....	B-08	92015-1193.....	B-10	92200-2152.....	B-09		
130B0620.....	B-06	27010-2232.....	B-08	92015-2146.....	C-04				
130B0620.....	B-08	27010-2235.....	C-04	92015-2147.....	C-04				
130B0625.....	B-07	311B0600.....	B-09	92033-2081.....	C-04				
130B0635.....	B-10	312B0600.....	B-05	92033-2193.....	B-04				
130B0812.....	B-03	317B0800.....	C-04	92033-2195.....	B-03				
130B0816.....	B-07	317R0800.....	B-11	92037-1173.....	B-08				
130B0850.....	C-04	32085-2097.....	C-04	92037-2001.....	B-07				
130G06110.....	B-10	32099-6004.....	B-11	92037-2209.....	B-09				
130G0612.....	B-03	39003-2093.....	B-09	92042-014.....	B-06				