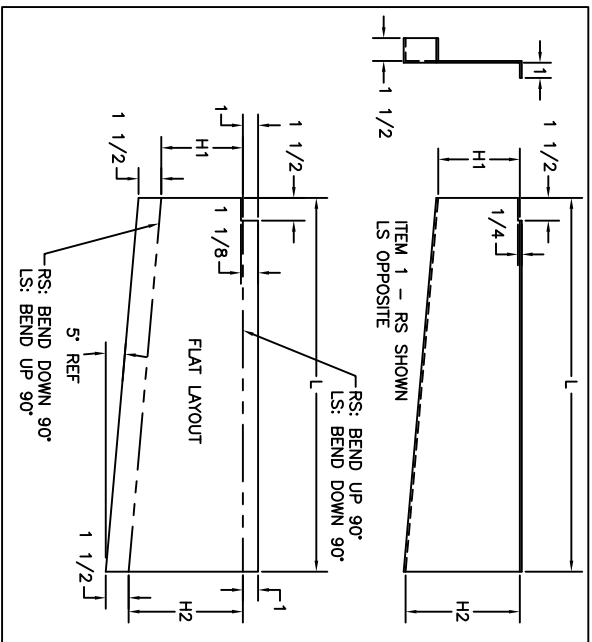
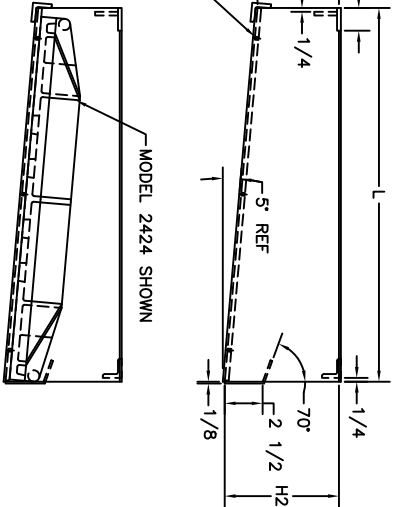


USE ITEM 6 TO LOCATE DRILLED HOLES THROUGH ITEM 1 BOTTOM FLANGE



UNDERBODY PAD HOLDER DIMENSIONS

PAD MODEL	HOLDER TYPE	W	L	H1	H2
2424 + LS	---	24-1/2	24-5/8	5-3/8	7-1/2
1818 + LS	---	18-1/2	18-5/8	4-3/4	6-1/2
1426 + LS	TYPE A	14-1/2	26-5/8	4-3/4	7-3/16
1426 + LS	TYPE B	26-1/2	14-5/8	4-7/8	6-1/8
1818-CT	---	18-1/2	18-5/8	6-1/4	8

Information on this print is of proprietary nature and is not to be copied. This design is the property of Sauber Mfg. Co.

SAUBER MFG. CO.  
10 N. SAUBER ROAD  
VIRGIL, IL 60151-1000  
(630) 365-6600

SAUBER MFG. CO. VIRGIL, IL

DRN JMM

CK'D

AP'VD

TITLE UNDERBODY OUTFRIGGER PAD HOLDER

IDENT NO. 5120ST

REV R3

DATE 04/18/2005

SCALE 1 1/2" = 1'

SHEET 1 OF 1