

ITEM NO.	PART NUMBER	DESCRIPTION	QTY.
1	10489	Bronze Swivel w/ Fasteners (ref. 7128ST)	1
2	15562	10K Jack w/ Swivel Shank & 10" Drop Leg, Painted, With Swivel.	1
3	10483	Handle w/ Set Screws (ref. 2296ST)	1
4	15611	5/16"x1 3/4" HD SST Coil Spring Pin	1
5	10421	8" X 2" Swivel Caster	1
6	15012	1/2" SAE High Strength Flat Washer	4
7	13136	1/2" Bevel Washer Steel / Galv	4
8	11047	1/2-13 X 2 Hex HD GR8 YZ	4
9	15060	1/2-13 Hex Nut 18-8	4

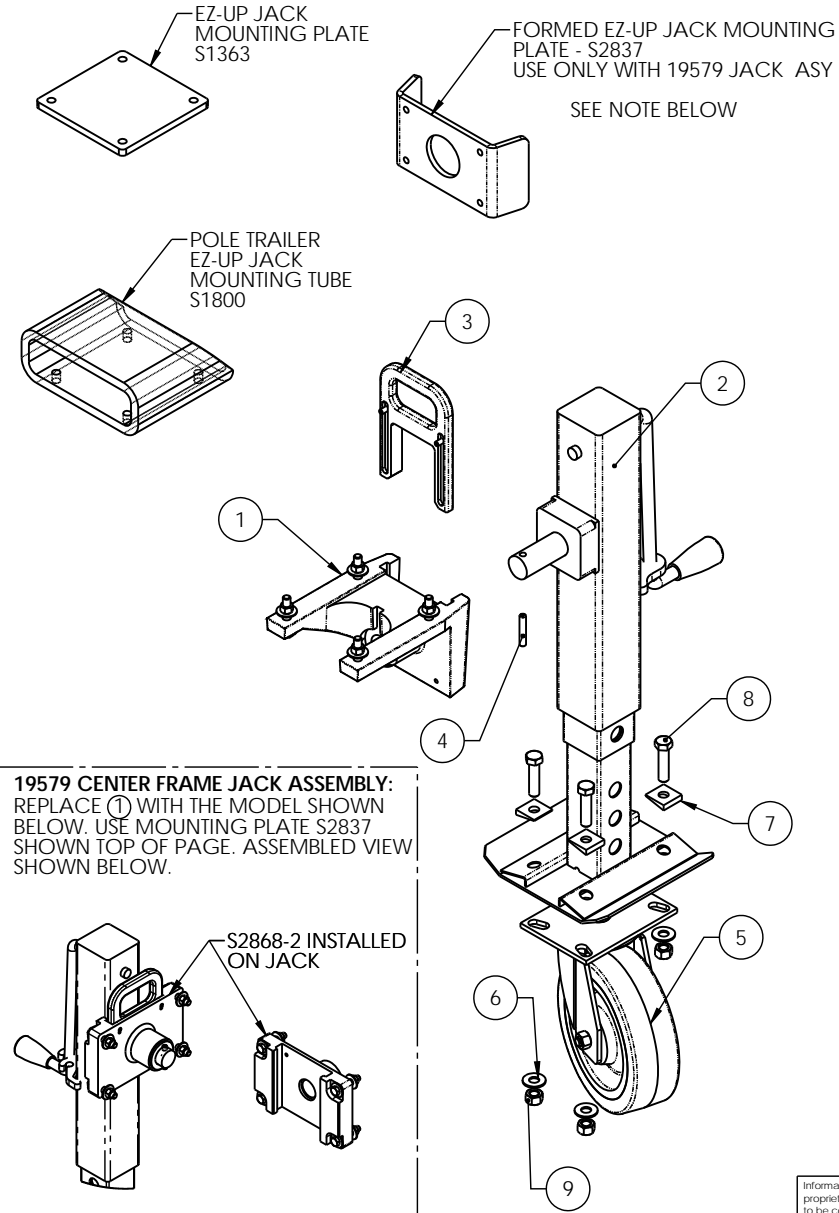
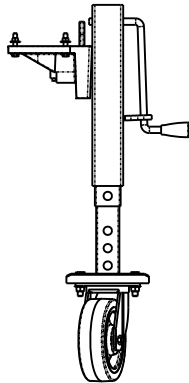
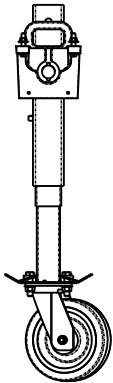
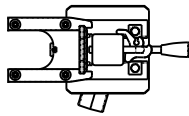
GENERAL NOTE:

JACK SHOWN HERE IS 17754 - 10K EZ-UP JACK COMPLETE WITH CASTER.

IF NO CASTER IS REQUIRED, COMPLETE ASSEMBLY IS 17189 - 10K EZ-UP JACK WITH

SANDSHOE. ITEMS ⑤ ⑥ ⑨ ⑦ ⑧ WOULD NOT BE REQUIRED.

ASSEMBLED VIEW NOTE:
UNDER FRAME MOUNTING POSITION SHOWN.



INSTALLATION INSTRUCTIONS

1 - WELD FRAME MOUNTING PLATE TO TOP OR BOTTOM. IF GROUND TO FRAME BOTTOM IS 20" OR MORE, BOTTOM MOUNT IS RECOMMENDED.

2 - WELD FRAME MOUNTING TUBE TO FRAME BOTTOM 9" FROM HITCH PLATE TO FRONT OF MOUNTING TUBE FOR POLE TRAILERS.

3 - INSTALL THE BRONZE SWIVEL ASSEMBLY TO THE FRAME MOUNTING PLATE/TUBE WITH THE FASTENERS SHOWN.

4 - LEVEL TRAILER AND EXTEND JACK TO MIDDLE OF ITS CRANK-ABLE RANGE.

5 - SET DROP LEG IN HOLE THAT LOCATES JACK FOOT CLOSEST TO GROUND LEVEL.

NOTE FOR POLE AND PRC TRAILERS:

USE UNDER FRAME MOUNT WITH OR WITH OUT A CASTER

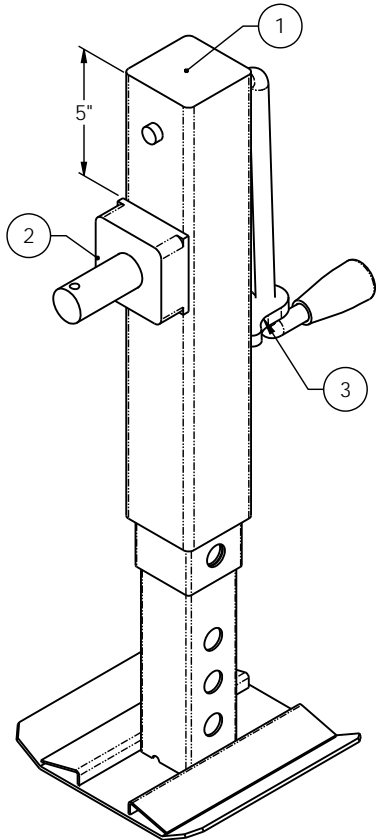
ALL OTHER TRAILERS:
IF WORK ORDER CALLS FOR 17754 ASSEMBLY W/ CASTER USE OVER FRAME MOUNT

SEE SUBSEQUENT SHEET FOR ADDITIONAL DETAILS

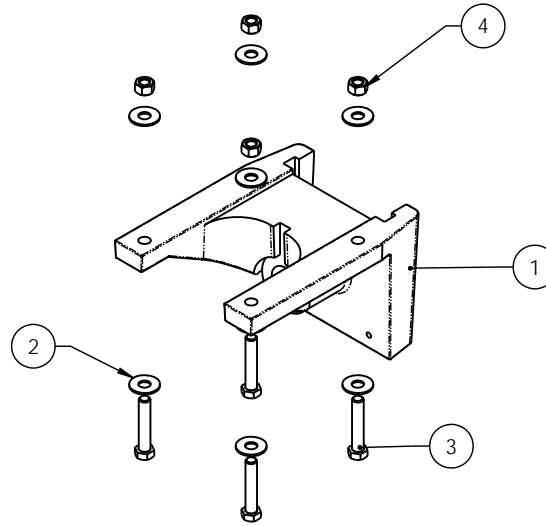
Information on this print is of proprietary nature and is not to be copied. This design is the property of Sauber Mfg. Co.

SAUBER MFG. CO.		VIRGIL, IL	
SAUBER MFG. CO.		TITLE	
SAUBER MANUFACTURING CO. 10 NORTH SAUBER ROAD VIRGIL, IL 60151-1000 (630) 365-6600		EZ UP JACK ASSEMBLY DETAILS - 10K	
IDENT NO:	S2042	REV:	RO6
SCALE: 1:12	DRAWN: NGH	DATE: 2/16/2016	SHEET 1 OF 2

15562 COMPONENTS

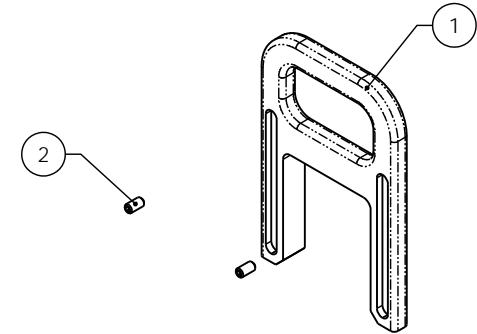


10489 COMPONENTS



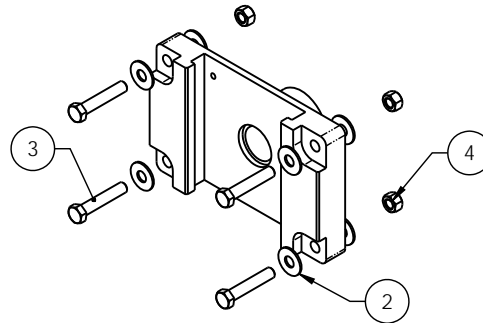
ITEM NO.	PART NUMBER	DESCRIPTION	QTY.
1	17045	EZ-UP Jack Swivel Base - Machined.	1
2	10549	Flat Washer 3/8" - 18-8	8
3	10751	3/8-16 X 2 Hex HD 18-8	4
4	10575	3/8"-16 Nylon Insert L-Nut 18-8	4

10483 COMPONENTS



ITEM NO.	PART NUMBER	DESCRIPTION	QTY.
1	11950	EZ-UP JACK HANDLE CASTING	1
2	10972	1/4-20x1/2 Socket Set Screw - 18-8	2

19579 COMPONENTS - SAME BOM ITEMS AS 10489



ITEM NO.	PART NUMBER	DESCRIPTION	Default /QTY.
1	15620	10K lb Jack, Drop Leg	1
2	10476	Round Swivel Shank Weldment	1
3	15489	8K & 10K Jack Handle Clip	1

Information on this print is of proprietary nature and is not to be copied. This design is the property of Sauber Mfg. Co.

	SAUBER MFG. CO. VIRGIL, IL TITLE: 10K Jack w/ Swivel Shank & 10" Drop Leg, Painted, With Swivel.
	SAUBER MANUFACTURING CO. 10 NORTH SAUBER ROAD VIRGIL, IL 60151-1000 (630) 365-6600
IDENT NO: S2042	REV: RO6
SCALE: 1:12	DRAWN: DATE: 2/16/2016 SHEET 2 OF 2