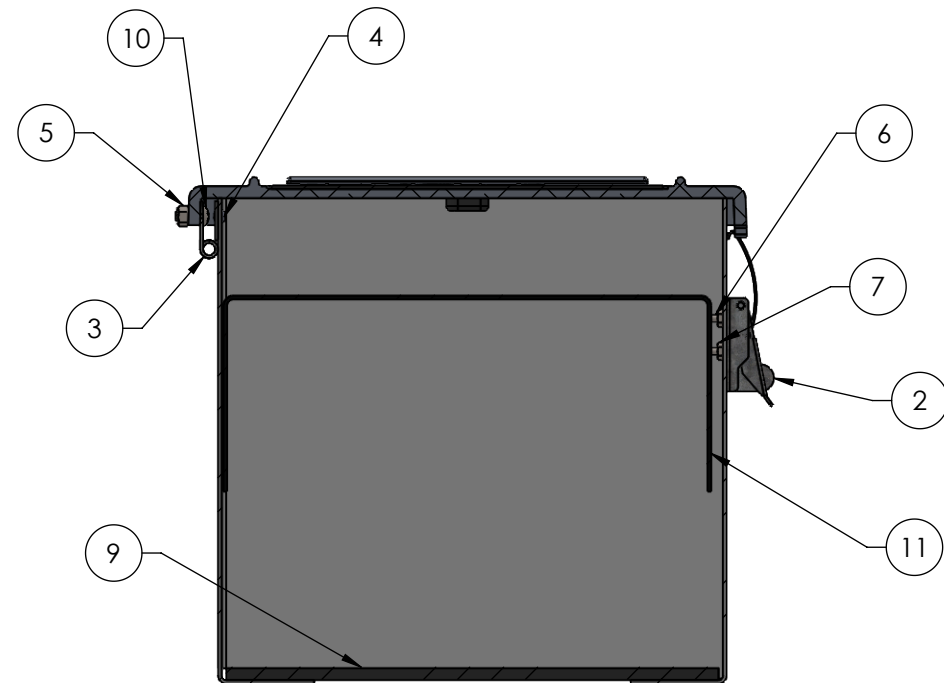
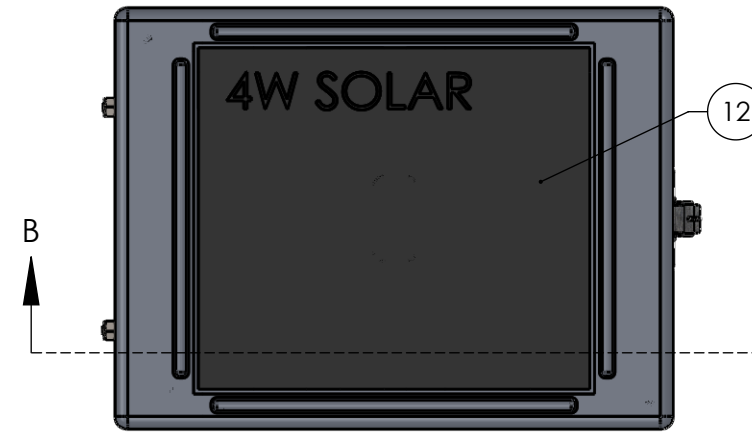
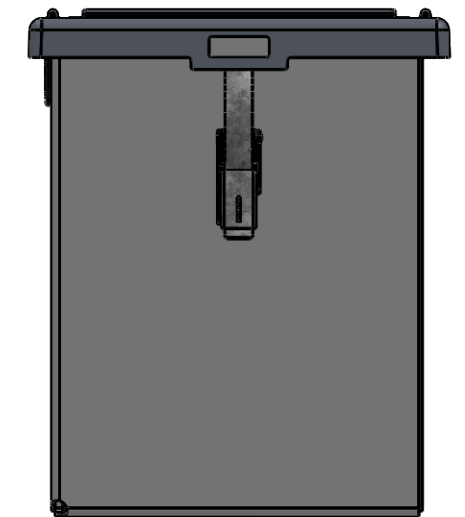
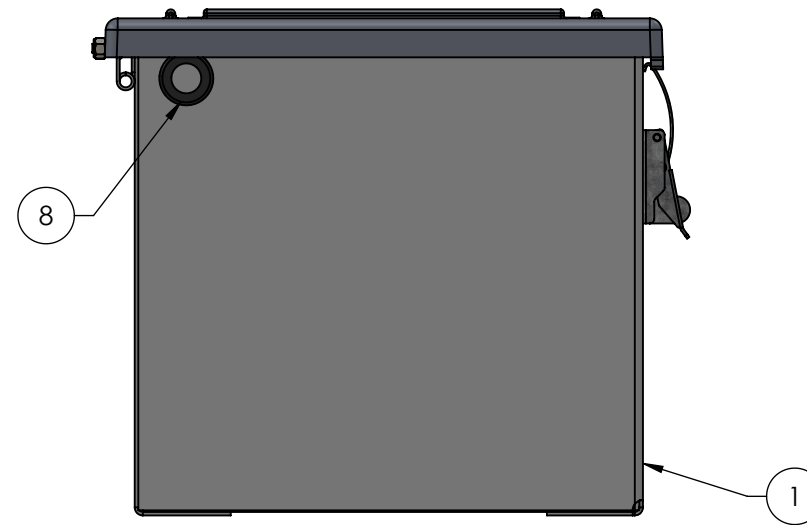


ITEM NO.	PART NUMBER	DESCRIPTION	QTY.
1	S3896	Battery Box Weldment	1
2	21170	Over-Center Latch	1
3	21428	Solar Battery Box Hinge - 2"x7" - Stainless Box	1
4	10921	3/16" x .425" Stainless Steel Rivet	2
5	10310	10-24 Nylon Insert Lock Nut - 18-8	2
6	19634	6-32 x 3/8" Slotted Round Head Machine Screw SS	2
7	18679	6-32 Nylon Insert Lock Nut Stainless	2
8	10261	Molded Grommet - 7/8" Dia Groove	1
9	21273	7.25"Wx10.25"Lx.25"T Rubber Mud Flap - Black	1
10	20081	10-24 X 5/8 Phil Truss HD 18-8	2
11	21608	PVC Ripple Black Matting/Liner - .075" Thick	1
12	11442	Machined Lid w/ Solar Panel	1



SECTION B-B



SAUBER
MANUFACTURING CO.
10 NORTH SAUBER ROAD
VIRGIL, IL 60151-1000
(630) 365-6600

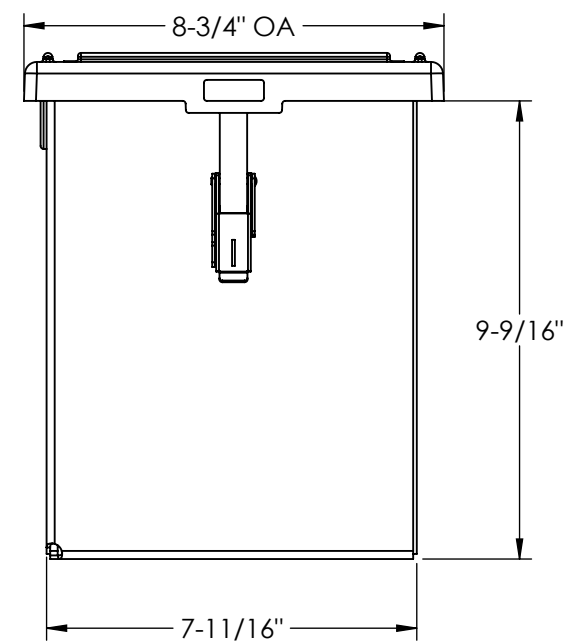
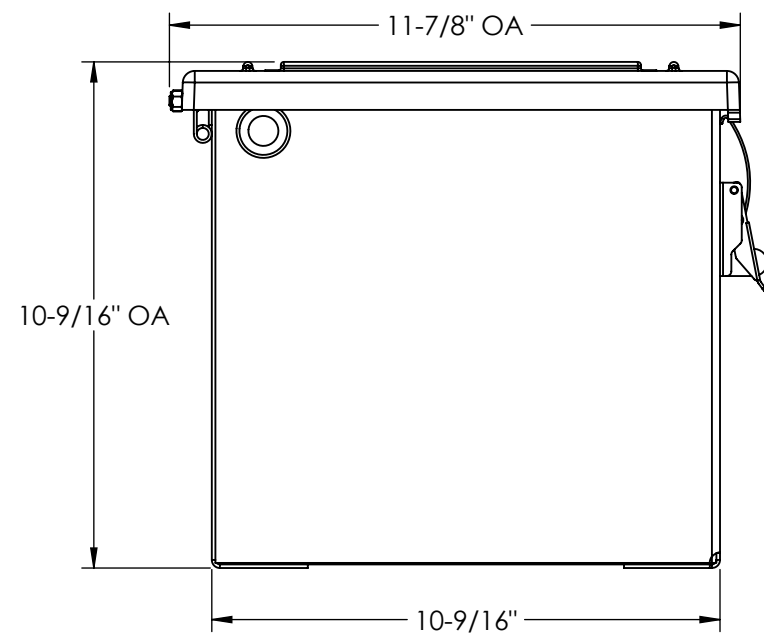
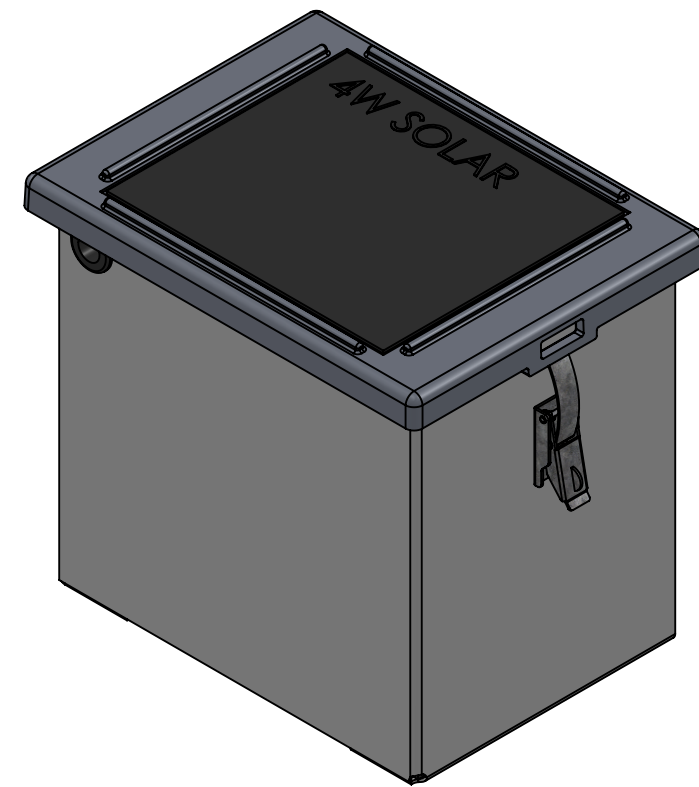
SAUBER MFG. CO. VIRGIL, IL

TITLE
4 Watt Single Panel Solar Battery Box

IDENT. NO. 8854 REV. R00

Information on this print is of proprietary nature and is not to be copied. This design is the property of Sauber Mfg. Co.

SCALE: 1:4 DRAWN: DATE: 7/13/2020 SHEET 1 OF 2



SAUBER
MANUFACTURING CO.
10 NORTH SAUBER ROAD
VIRGIL, IL 60151-1000
(630) 365-6600

SAUBER MFG. CO. VIRGIL, IL

TITLE
4 Watt Single Panel Solar Battery
Box

IDENT NO. 8854 REV. R00

Information on this print is of
proprietary nature and is not
to be copied. This design is
the property of Sauber Mfg. Co.

SCALE: 1:4 DRAWN: DATE: 7/13/2020 SHEET 2 OF 2