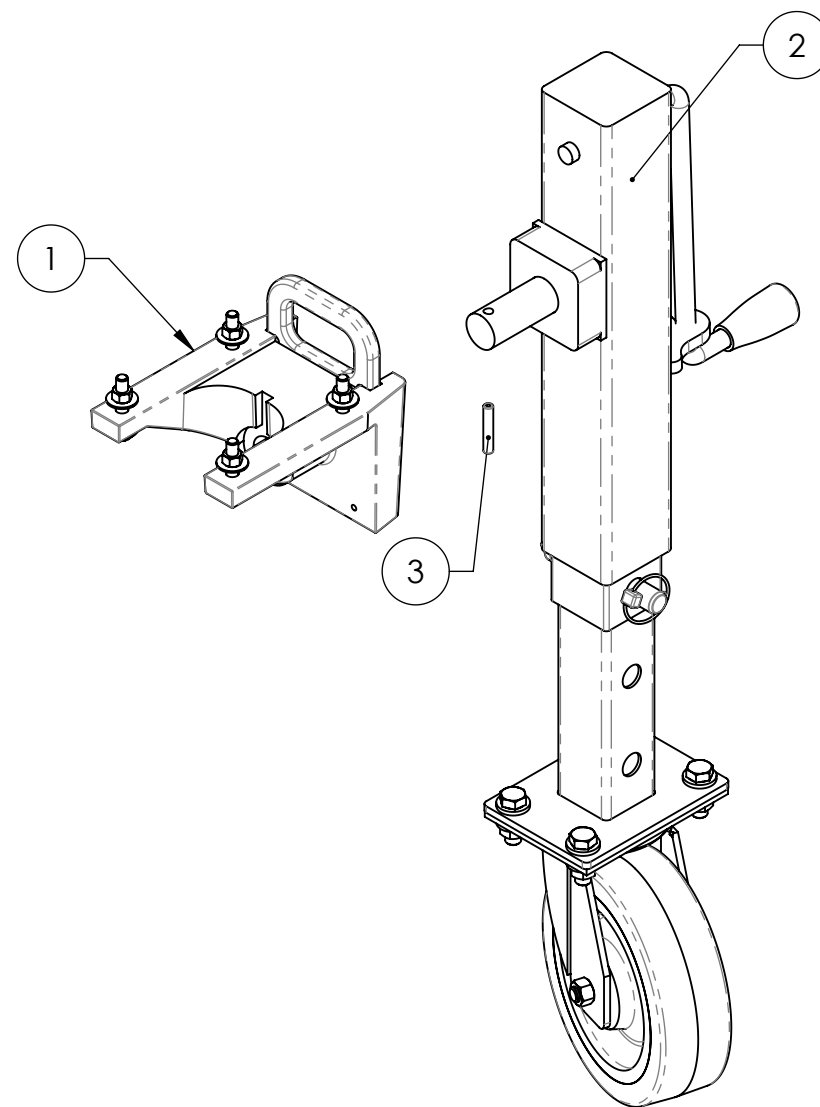
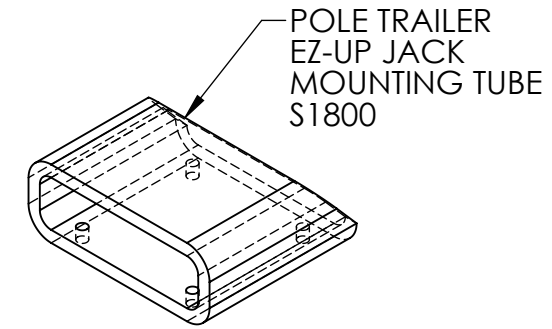
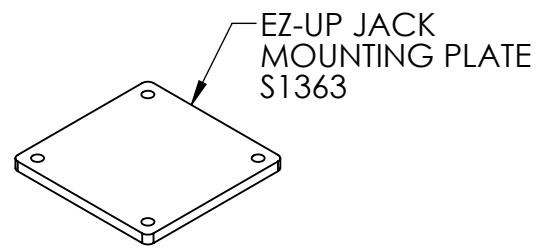


ITEM NO.	PART NUMBER	DESCRIPTION	QTY.
1	19495	EZ-UP BRONZE SWIVEL BASE W/ HANDLE	1
2	17893	10K Jack w/ Swivel Shank & Caster	1
3	15611	5/16"x1 3/4" HD SST Coil Spring Pin	1



INSTALLATION INSTRUCTIONS

1 - CHOOSE ONE OF THE FOLLOWING:

A - WELD S1363 FRAME MOUNTING PLATE TO TOP OR BOTTOM. IF GROUND TO FRAME BOTTOM IS 20" OR MORE, BOTTOM MOUNT IS RECOMMENDED.

B - WELD S1800 FRAME MOUNTING TUBE TO FRAME BOTTOM 9" FROM HITCH PLATE TO FRONT OF MOUNTING TUBE FOR POLE TRAILERS.

2 - INSTALL THE BRONZE SWIVEL ASSEMBLY TO THE FRAME MOUNTING PLATE/TUBE WITH THE FASTENERS SHOWN.

3 - LEVEL TRAILER AND EXTEND JACK TO MIDDLE OF ITS CRANK-ABLE RANGE.

4 - SET DROP LEG IN HOLE THAT LOCATES JACK FOOT CLOSEST TO GROUND LEVEL.

NOTE FOR POLE AND PRC TRAILERS:

USE UNDER FRAME MOUNT WITH OR WITHOUT A CASTER

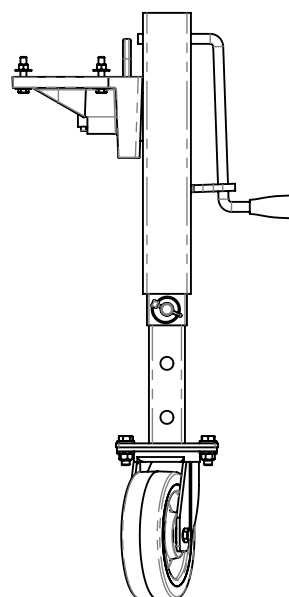
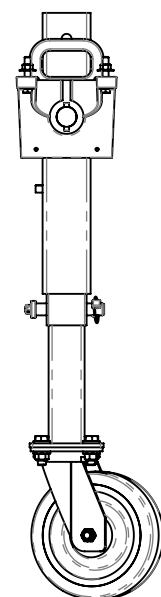
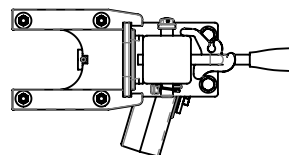
ALL OTHER TRAILERS:
 IF WORK ORDER CALLS FOR 17754 ASSEMBLY W/ CASTER
 USE OVER FRAME MOUNT

SEE SUBSEQUENT SHEET FOR ADDITIONAL DETAILS

ASSEMBLED VIEW NOTE:

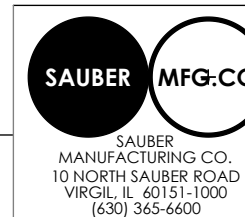
UNDER FRAME MOUNTING POSITION SHOWN.

TOP OF FRAME MOUNTING POSITION IS AVAILABLE.



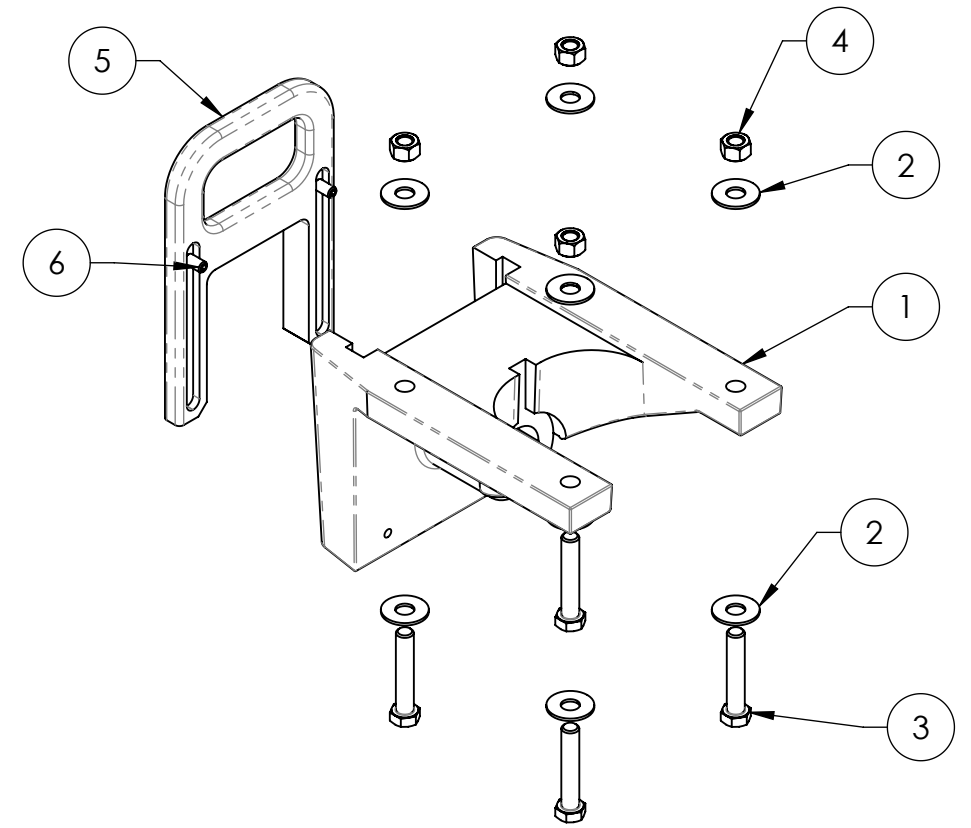
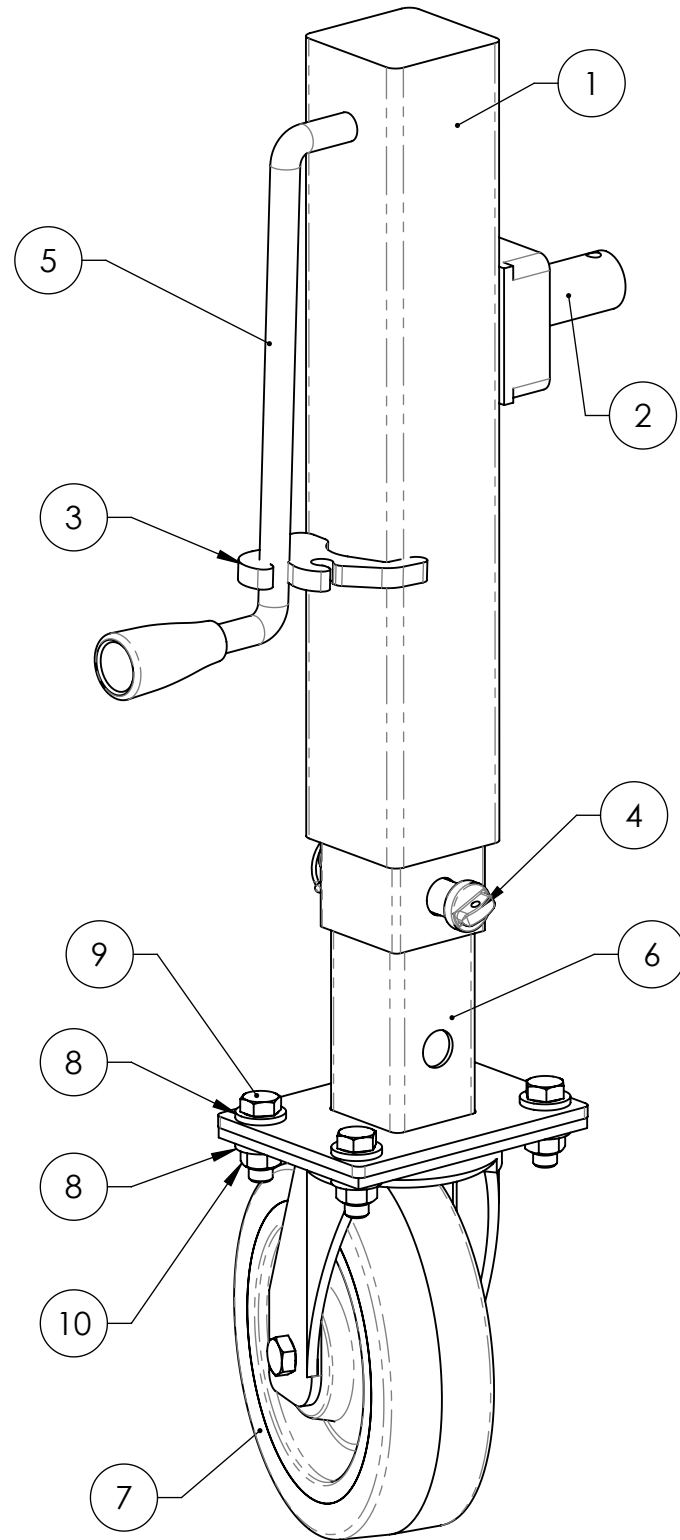
MODEL SHOWN IS: 17754 - 10K EZ-UP JACK COMPLETE W/ CASTER

Information on this print is of proprietary nature and is not to be copied. This design is the property of Sauber Mfg. Co.



SAUBER MFG. CO. VIRGIL, IL	
TITLE	JACK #10000 WITH EZ-UP COMPONENTS
IDENT NO.	S2042
REV	R08
SCALE: 1:12	DRAWN: JMM
DATE: 8/31/2020	SHEET 1 OF 2

17893 BOM Table			
ITEM NO.	PART NUMBER	DESCRIPTION	QTY.
1	15620	10K lb Jack, Drop Leg	1
2	10476	Round Swivel Shank Weldment	1
3	15489	8K & 10K Jack Handle Clip	1
4	17148	DROP LEG JACK KEEPER PIN	1
5	17863	UPPER CRANK & GEAR SET - 10K JACK	1
6	19917	19917 Galv Drop Leg w/ Caster Plate for 17149 10K Jack - S3973	1
7	10421	8" X 2" Swivel Caster	1
8	15012	1/2 SAE High Strength Flat Washer	8
9	11006	1/2-13 X 1 1/2 Hex HD GR8 YZ	4
10	11003	1/2-13 Top Lock Nut Gr C	4



19495 BOM Table			
ITEM NO.	PART NUMBER	DESCRIPTION	QTY.
1	10489	EZ-UP Jack Swivel Base - Machined.	1
2	10549	Flat Washer 3/8 - 18-8	8
3	10751	3/8-16 X 2 Hex HD 18-8	4
4	10757	3/8-16 Nut 18-8	4
5	10483	EZ-UP HANDLE W/ SET SCREWS	1
6	10972	1/4-20x1/2 Socket Set Screw - 18-8	2



SAUBER
MANUFACTURING CO.
10 NORTH SAUBER ROAD
VIRGIL, IL 60151-1000
(630) 365-6600

SAUBER MFG. CO. VIRGIL, IL

TITLE
JACK #10000 WITH EZ-UP
COMPONENTS

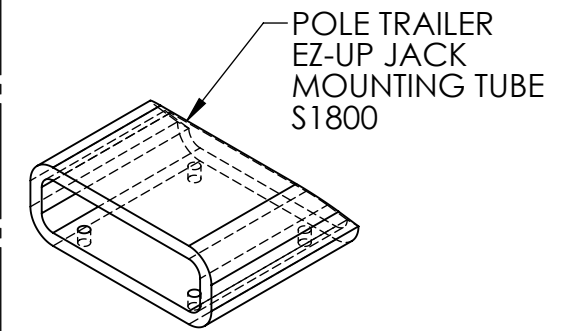
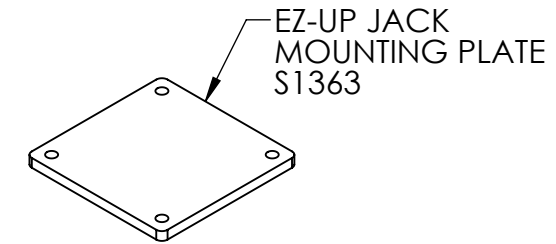
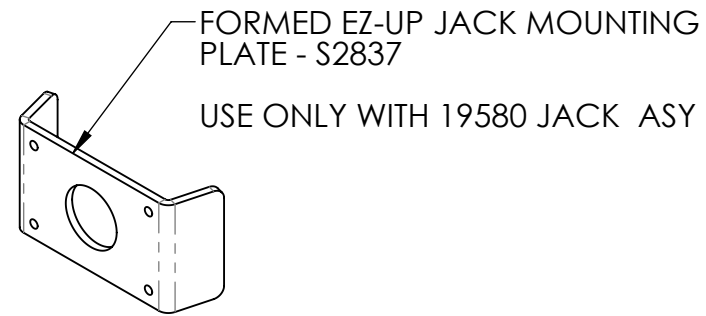
IDENT NO.
S2042

REV
R08

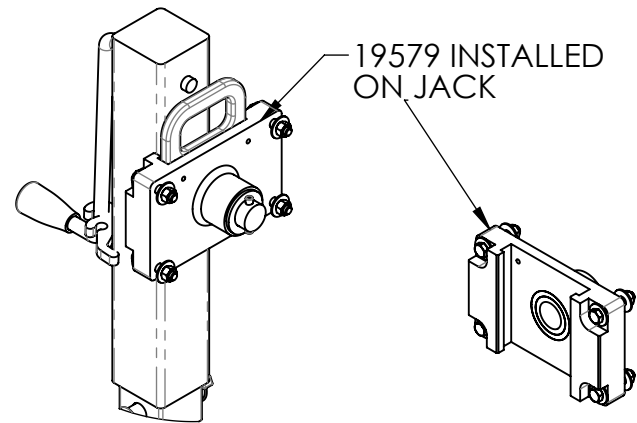
Information on this print is of
proprietary nature and is not
to be copied. This design is
the property of Sauber Mfg. Co.

SCALE: 1:12 | DRAWN: JMM | DATE: 8/31/2020 | SHEET 2 OF 2

ITEM NO.	PART NUMBER	DESCRIPTION	QTY.
1	19495	EZ-UP BRONZE SWIVEL BASE W/ HANDLE	1
2	15562	10K Jack w/ Swivel Shank & 10" Drop Leg, Painted, With Swivel.	1
3	15611	5/16"x1 3/4" HD SST Coil Spring Pin	1



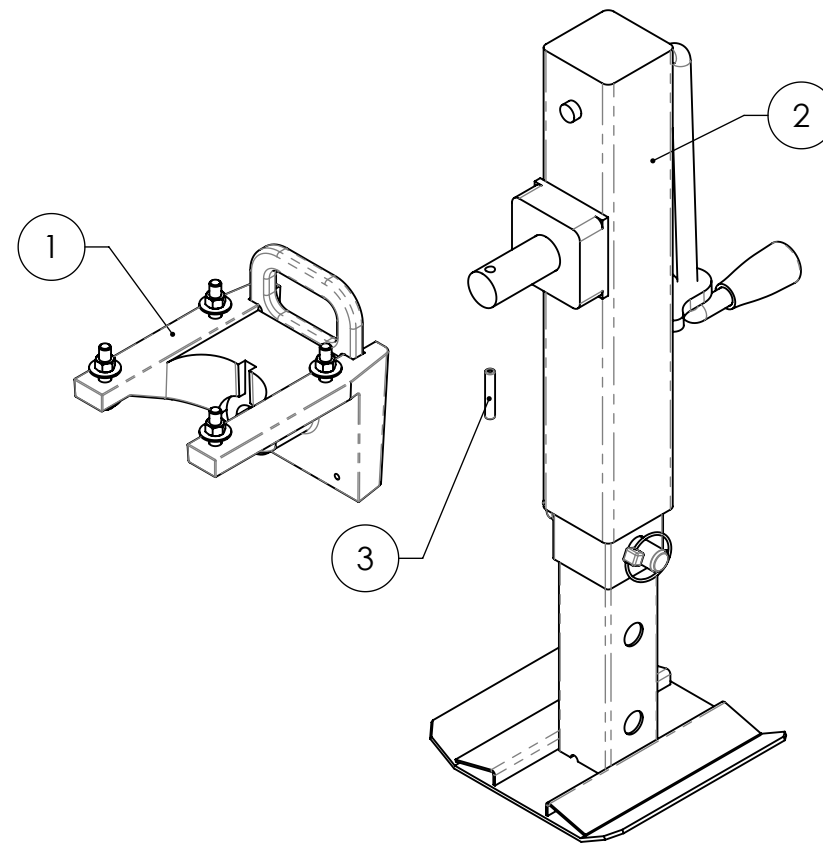
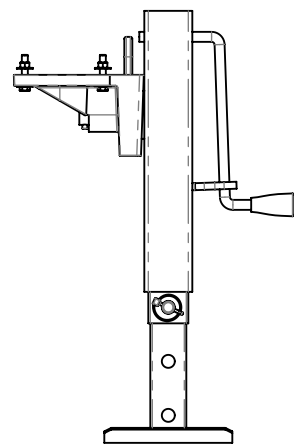
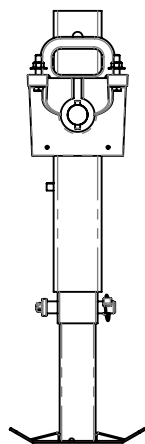
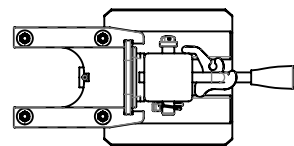
19580 CENTER MOUNT JACK ASSEMBLY:
REPLACE ① WITH THE MODEL SHOWN BELOW. USE MOUNTING PLATE S2837 SHOWN TOP OF PAGE. ASSEMBLED VIEW SHOWN BELOW.



ASSEMBLED VIEW NOTE:

UNDER FRAME MOUNTING POSITION SHOWN.

TOP OF FRAME MOUNTING POSITION IS AVAILABLE.



MODEL SHOWN IS: 17189 - 10K EZ-UP JACK COMPLETE W/ SANDSHOE

INSTALLATION INSTRUCTIONS

1 - CHOOSE ONE OF THE FOLLOWING:

A - WELD S1363 FRAME MOUNTING PLATE TO TOP OR BOTTOM. IF GROUND TO FRAME BOTTOM IS 20" OR MORE, BOTTOM MOUNT IS RECOMMENDED.

B - WELD S1800 FRAME MOUNTING TUBE TO FRAME BOTTOM 9" FROM HITCH PLATE TO FRONT OF MOUNTING TUBE FOR POLE TRAILERS.

C - WELD S2837 FRAME MOUNTING PLATE TO OUTER VERTICAL FACE

2 - INSTALL THE BRONZE SWIVEL ASSEMBLY TO THE FRAME MOUNTING PLATE/TUBE WITH THE FASTENERS SHOWN.

3 - LEVEL TRAILER AND EXTEND JACK TO MIDDLE OF ITS CRANK-ABLE RANGE.

4 - SET DROP LEG IN HOLE THAT LOCATES JACK FOOT CLOSEST TO GROUND LEVEL.

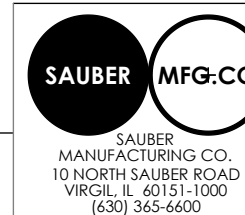
NOTE FOR POLE AND PRC TRAILERS:

USE UNDER FRAME MOUNT WITH OR WITHOUT A CASTER

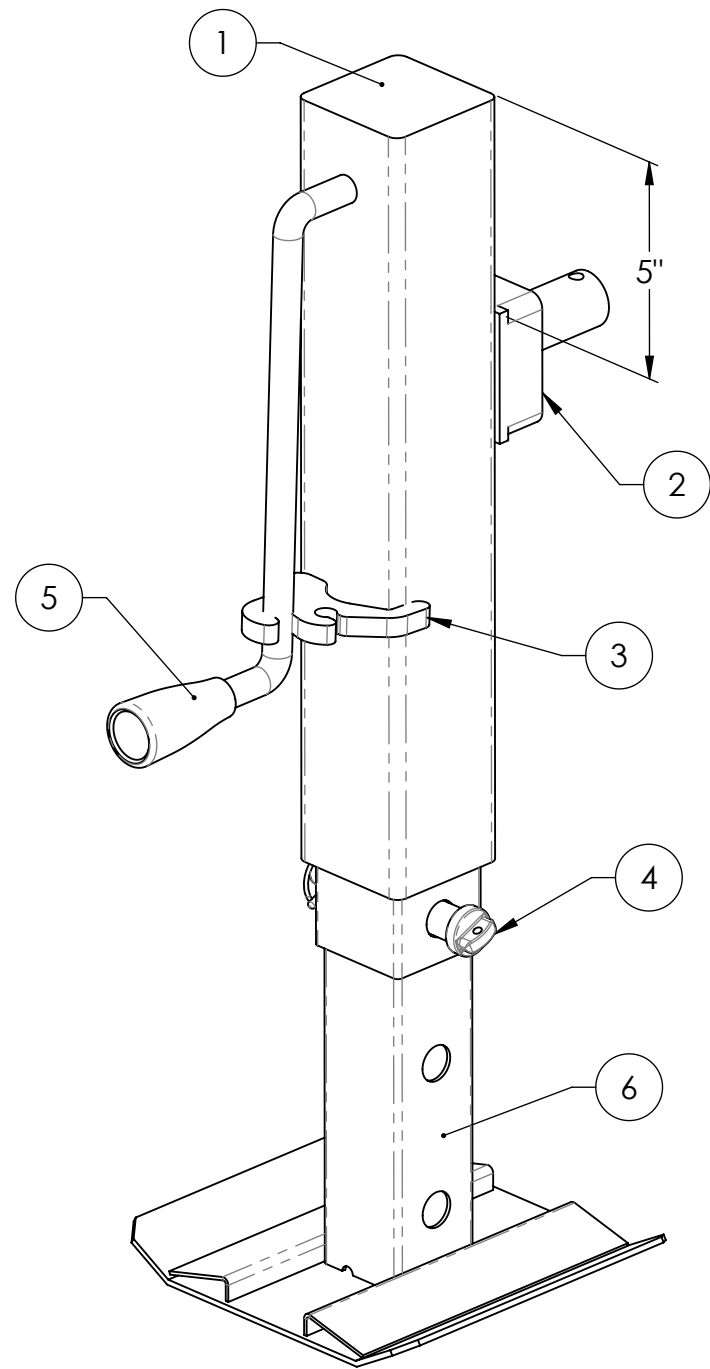
ALL OTHER TRAILERS:
IF WORK ORDER CALLS FOR 17754 ASSEMBLY W/ CASTER USE OVER FRAME MOUNT

SEE SUBSEQUENT SHEET FOR ADDITIONAL DETAILS

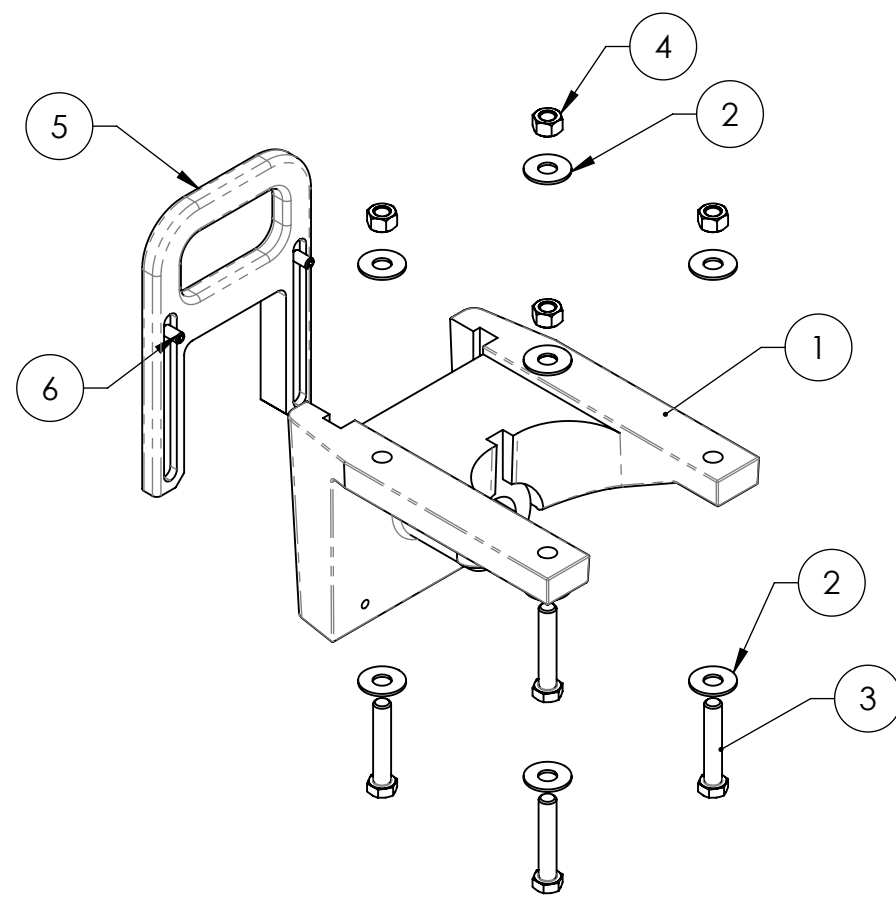
Information on this print is of proprietary nature and is not to be copied. This design is the property of Sauber Mfg. Co.



SAUBER MFG. CO. VIRGIL, IL	
TITLE	JACK #10000 WITH EZ-UP COMPONENTS
IDENT NO.	S6507
REV	R00
SCALE: 1:8	DRAWN: JMM DATE: 8/27/2020 SHEET 1 OF 2

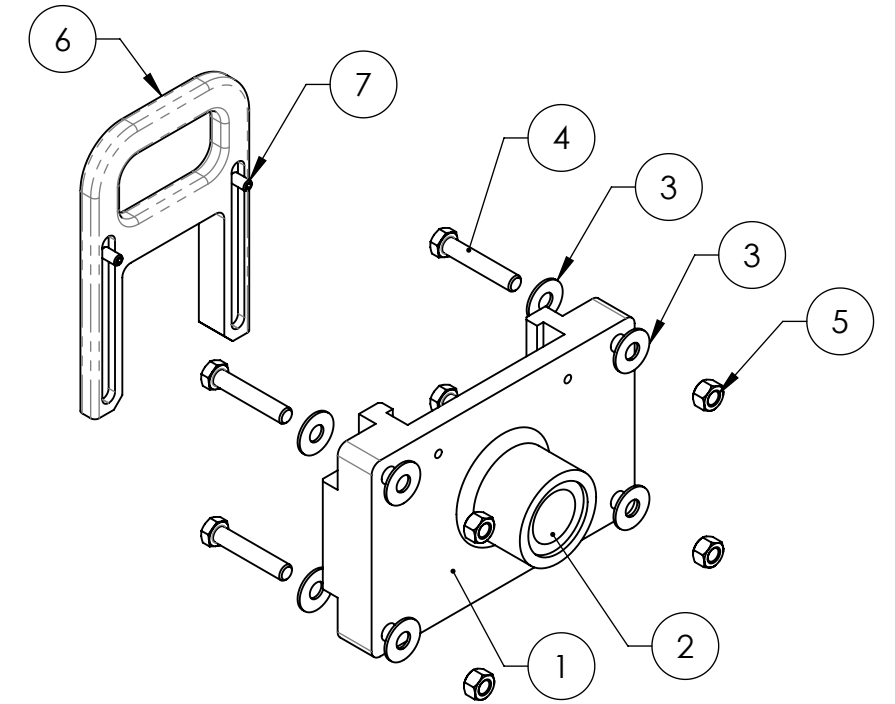


15562 BOM Table			
ITEM NO.	PART NUMBER	DESCRIPTION	QTY.
1	15620	10K lb Jack, Drop Leg	1
2	10476	Round Swivel Shank Weldment	1
3	15489	8K & 10K Jack Handle Clip	1
4	17148	DROP LEG JACK KEEPER PIN	1
5	17863	UPPER CRANK & GEAR SET - 10K JACK	1
6	17149	DROP LEG W/ SAND SHOE	1



19495 BOM Table (TOP/BOTTOM MOUNT)			
ITEM NO.	PART NUMBER	DESCRIPTION	QTY.
1	10489	EZ-UP Jack Swivel Base - Machined.	1
2	10549	Flat Washer 3/8 - 18-8	8
3	10751	3/8-16 X 2 Hex HD 18-8	4
4	10757	3/8-16 Nut 18-8	4
5	10483	EZ-UP HANDLE W/ SET SCREWS	1
6	10972	1/4-20x1/2 Socket Set Screw - 18-8	2

ITEMS (2), (3), & (4) SOLD SEPERATELY FROM 19495



19579 BOM Table (CENTER MOUNT)			
ITEM NO.	PART NUMBER	DESCRIPTION	QTY.
1	19574	19574 Fabricated AL Center Mount Swivel Base Weldment	1
2	12364	Oillite Bushing 1.25"IDx1.75"ODx2"L-NF	1
3	10549	Flat Washer 3/8 - 18-8	8
4	10751	3/8-16 X 2 Hex HD 18-8	4
5	10757	3/8-16 Nut 18-8	4
6	10483	EZ-UP HANDLE W/ SET SCREWS	1
7	10972	1/4-20x1/2 Socket Set Screw - 18-8	2

ITEMS (3), (4), & (5) SOLD SEPERATELY FROM 19579

Information on this print is of proprietary nature and is not to be copied. This design is the property of Sauber Mfg. Co.



SAUBER MFG. CO. VIRGIL, IL	
TITLE JACK #10000 WITH EZ-UP COMPONENTS	
IDENT NO. S6507	REV R00
SCALE: 1:12	DRAWN: JMM
DATE: 8/27/2020	SHEET 2 OF 2